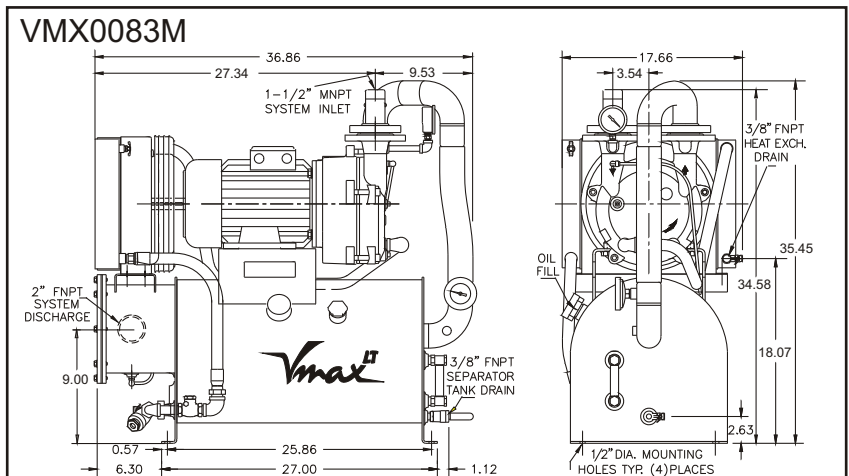
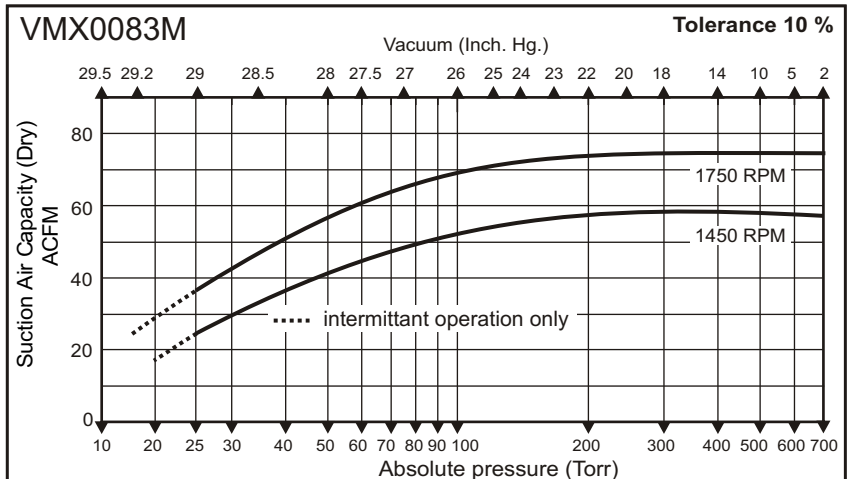
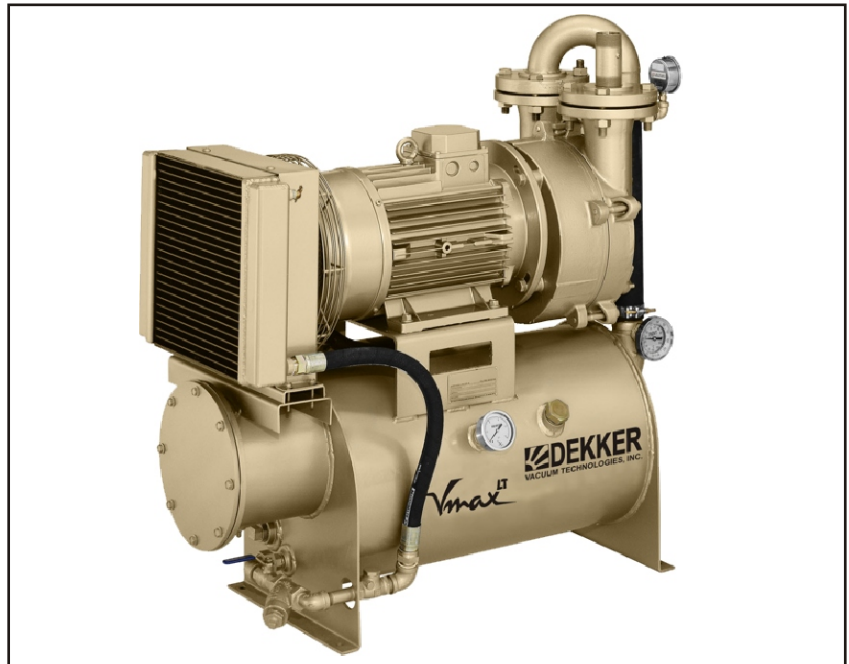


Why more and more customers are switching to the *Vmax*^{LT} system:

- ✓ The only system on the market with a **full 3-year warranty!**
- ✓ Patented, **high-efficiency DX-5 separator** eliminates oil carry-over concerns.
- ✓ Rugged, **high-quality, industrial system**, offering years of **trouble free operation**.
- ✓ **Extended-life seal-fluid** is not used as a lubricant. Change interval is not critical, resulting in a minimum of **10,000 hours of continuous operation**.
- ✓ **UL/CSA EPACT-compliant motor-mounted design** eliminates the use of V-belts or couplings, resulting in very **low maintenance and zero downtime**.
- ✓ **Extremely low operating noise level** makes this system desirable in today's workplace.
- ✓ **Continuous operation over the full vacuum range** without overheating.
- ✓ **Carry-over** of soft solids and/or minimal amounts of liquid **does not cause damage** to the internal parts of the pump.
- ✓ **Air-cooled design is standard** with water-cooling available at no extra charge.



Performance Characteristics

Nominal capacity: 75CFM
 Motor: 50Hz: 3kW/4HP - 60Hz: 4kW/5.5HP
 Speed: 1450/1750RPM
 Maximum vacuum: 982mbar/29"Hg
 Weight (approximate): 256Kg/564Lbs
 Maximum gas inlet temperature: 212°F/100°C
 Maximum noise level (at 3 feet): 76dBA
 Oil capacity (approximate): 23Ltr/6GAL
Performance based on atmospheric pressure equal to 29.92"Hg/1013mbar

Information contained in this document is for reference only. Subject to change without notice.