



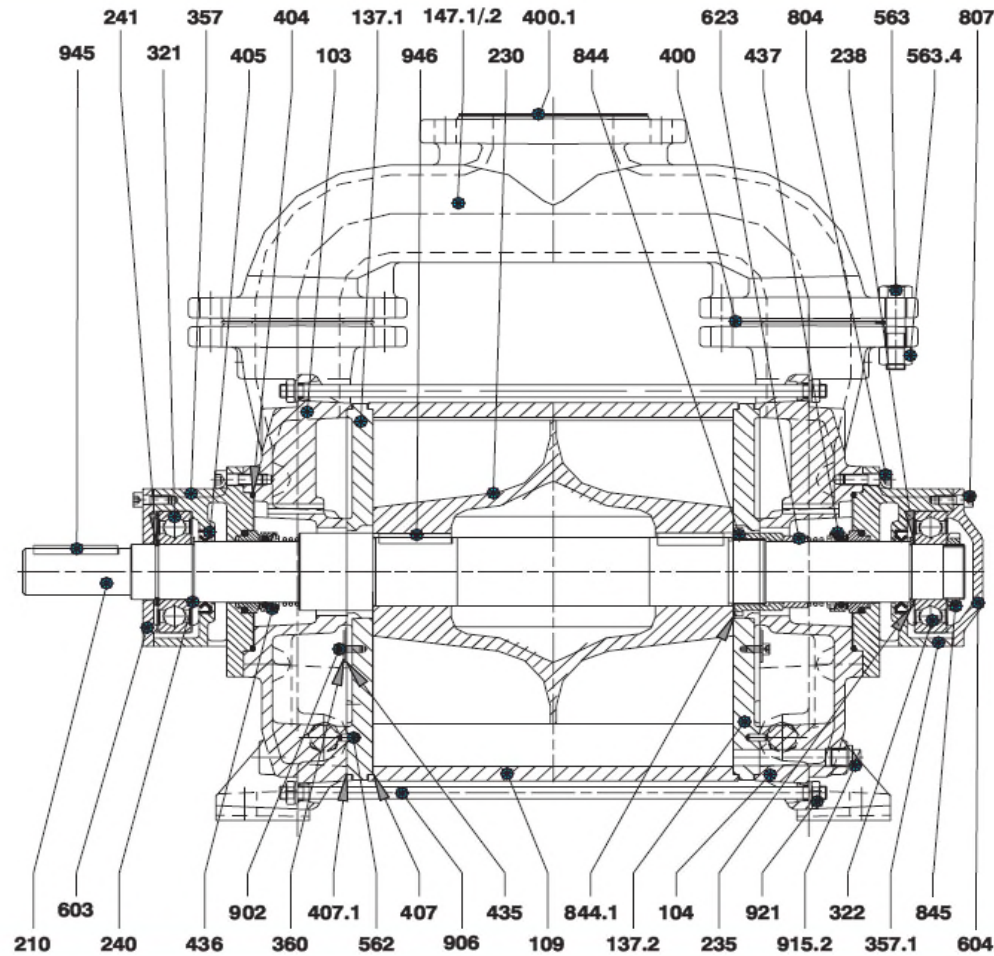
LIQUID RING VACUUM PUMPS

Cross Sectional Drawing

TITAN Series Single-stage Monoblock

Liquidring Vacuum Pump

DV0550D-KA1



DV0550D-KA1

935 SOUTH WOODLAND AVENUE, MICHIGAN CITY, IN 46360-5672
 TOLL-FREE: 888-925-5444 TEL.: 219-861-0661 FAX: 219-861-0662

Please visit our website at
www.dekkervacuum.com

Dwg Rev Level
 0

Reference
 12/10/2015



LIQUID RING VACUUM PUMPS

Spare parts lists

TITAN Series Single-stage Monoblock

Liquidring Vacuum Pump

DV0550D-KA1

Kits

| Item# | Part No. | Description | Material | Minor | Major | Qty |
|-------------|----------------|------------------------------|----------|----------|----------|-----|
| 103 | 1000-0055-M00 | DE Cover | | | | 1 |
| 104 | 1000-0062-M00 | NDE Cover | | | | 1 |
| 109 | 1000-0051-M00 | Casing | | | | 1 |
| 137.1 | 1000-0058-M00 | DE Port Plate | | | | 1 |
| 137.2 | 1000-0059-M00 | NDE Port Plate | | | | 1 |
| 147.1-147.2 | 1000-0057-M00 | Manifold | | | | 2 |
| 210 | 1000-0156-M00 | Shaft | | | | 1 |
| 230 | 1000-0403-B00 | Impeller | | | | 1 |
| 235-240 | 6565-6250-000 | Bearing Abutment (Shim Pack) | | | Included | 2 |
| 241 | 3836-0471-000 | Circlip | | | Included | 1 |
| 321-322 | 1980180100 | Bearing | | | Included | 2 |
| 357-357.1 | 1000-0054-M00 | Bearing Housing | | | | 2 |
| 360 | 1000-0019-M00 | Valve Plate | | | | 2 |
| 400 | 3510-0250-000 | Gasket | | | Included | 4 |
| 404 | 5320-5313-000 | O-ring | | Included | Included | 2 |
| 405 | 6200-0055-000 | Lip Seal | | | Included | 2 |
| 407 | 3500-0050-001 | Liquid Gasket | | Included | Included | 2 |
| 435 | P7390-2007-364 | Variport Valve | | | Included | 2 |
| 436 | 6220-0055-000 | DE Mechanical Seal | | Included | Included | 1 |
| 437 | 6220-0055-000 | NDE Mechanical Seal | | Included | Included | 1 |
| 562 | 3848-0510-000 | Locating Pin | | | | 2 |
| 563 | 3800-1665-000 | Screw | | | | 16 |
| 563.4 | 3809-0M16-000 | Nut | | | | 16 |
| 603 | 1000-0053-M00 | DE Bearing Cover | | | | 1 |
| 604 | 1000-0052-M00 | NDE Bearing Cover | | | | 1 |
| 623 | 6588-2007-888 | Mechanical Seal Spacer | | | Included | 1 |
| 804 | 3800-1030-000 | Screw | | | | 8 |
| 807 | 3800-0820-000 | Screw | | | | 6 |
| 844 | 4420-2007-887 | Impeller Nut | | | Included | 1 |
| 844.2 | C003051 | Screw | | | | 3 |
| 845 | 3810-0010-004 | Bearing Nut | | | Included | 1 |
| 902 | 3821-0006-000 | Screw | | | | 4 |
| 906 | 1000-0064-M00 | Tie Rod | | | | 6 |
| 915.2 | 3085-0037-025 | Plug | | | | 5 |
| 921 | 3809-0M12-000 | Nut | | | | 12 |
| 945 | 4610-2008-203 | Coupling Key | | | Included | 1 |
| 946 | 4610-2008-206 | Impeller Key | | | Included | 2 |
| 920 | 3830-0M12-002 | Washer | | | | 12 |
| 563.5 | 3830-0M16-000 | Washer | | | | 16 |
| 902.1 | 3830-0000-000 | Washer | | | Included | 4 |
| | | | | | | |
| | | | | | | |
| | 4700-2000-038 | Minor Repair Kit (Seal Kit) | | | | |
| | 4700-1000-038 | Major Repair Kit | | | | |
| | | | | | | |
| | | | | | | |

935 SOUTH WOODLAND AVENUE, MICHIGAN CITY, IN 46360-5672
TOLL-FREE: 888-925-5444 TEL.: 219-861-0661 FAX: 219-861-0662
Please visit our website: www.dekkervacuum.com

Dwg Rev Level

0

Reference

12/10/2015