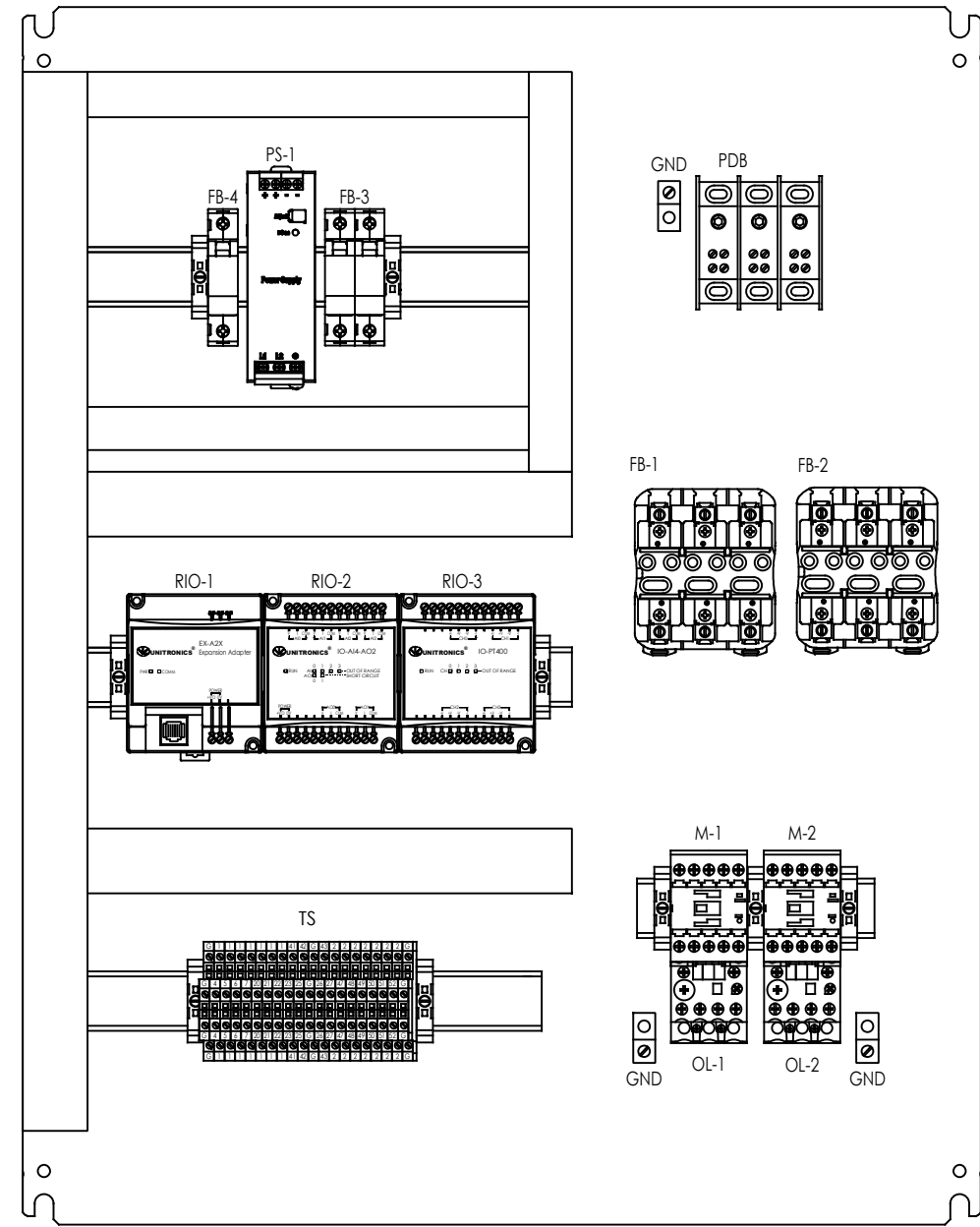
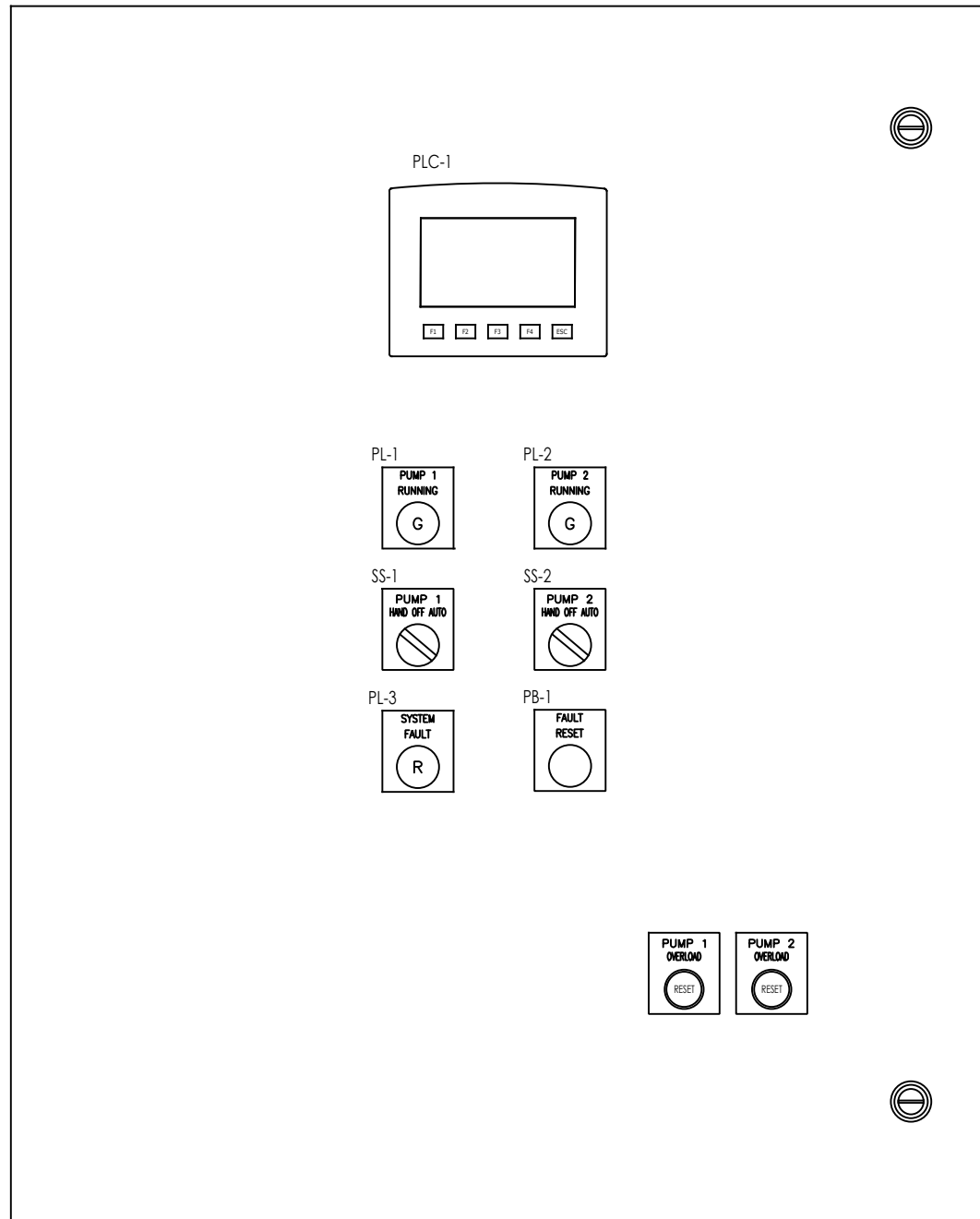


CABINET LAYOUT



SYSTEM APPROVAL	
APPROVED BY:	
DATE:	

SOFTWARE: xxxxxxxx

REVISIONS					
REV	DESCRIPTION	DATE	DWG	ERP	APP

TOLERANCES

DECIMAL ± .0625"
 FRACTIONAL ± 1/16"
 ANGULAR ± 0° 30' 00"

UNLESS OTHERWISE SPECIFIED IN DRAWING

THIS PRINT IS PROPERTY OF DEKKER VACUUM TECHNOLOGIES, INC. AND MAY NOT BE GIVEN TO ANY OTHER CONCERN WITHOUT THE CONSENT OF DEKKER VACUUM TECHNOLOGIES, INC.

MODEL NUMBER: VMX0153MA2	
PART NUMBER: 2202-0902-540	
DESIGN BY: DLA	DATE: 3/16/20
DRAWING BY: DLA	DATE: 3/16/20
CHECKED BY: NTH	DATE: 3/17/20
APPROVED BY: RHC	DATE: 3/25/20
REVIEWED BY: -	DATE: -

DEKKER
VACUUM TECHNOLOGIES, INC.

DESCRIPTION:
CONTROL PANEL INDUSTRIAL DUPLEX
10HP VMAX 460V NEMA 12

DRAWING TYPE: -	DWG NUMBER: 2020xxx-B
WEIGHT: 110 LBS	SCALE: NONE
SHEET NUMBER: 1 OF 4	

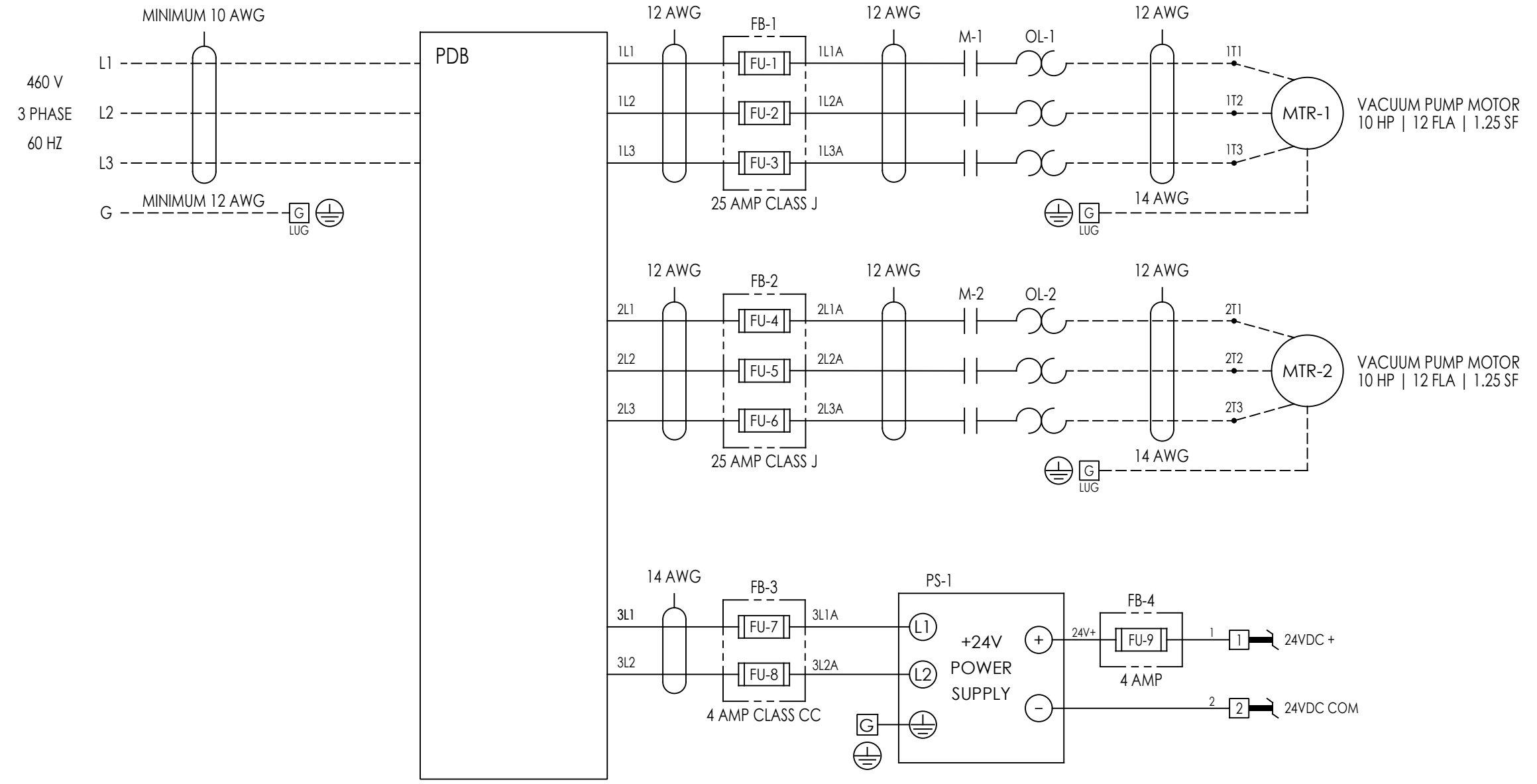
POWER DISTRIBUTION

PANEL VOLTAGE: 460V / 3 PHASE / 60HZ
 PANEL FULL LOAD AMPS: 24.4 AMPS
 LARGEST MOTOR: 10 HP
 SCCR: 5kA RMS SYMMETRICAL AT 600V*

UPSTREAM PROTECTION: FUSIBLE DISCONNECT OR CIRCUIT BREAKER MUST BE PROVIDED BY INSTALLER AS PER STATE AND LOCAL CODES.
 MAXIMUM CLASS J FUSE: 40 AMP
 MAXIMUM INV. TIME BREAKER: 50 AMP

*SCCR: 100KA RMS SYMMETRICAL AT 600V WHEN PROTECTED WITH 100KAIC OR GREATER FUSIBLE DISCONNECT OR CIRCUIT BREAKER.

TORQUE L1,L2,L3 TO 50 LB-IN AT MINIMUM WIRE SIZE
 TORQUE GND TO 35 LB-IN AT MINIMUM WIRE SIZE

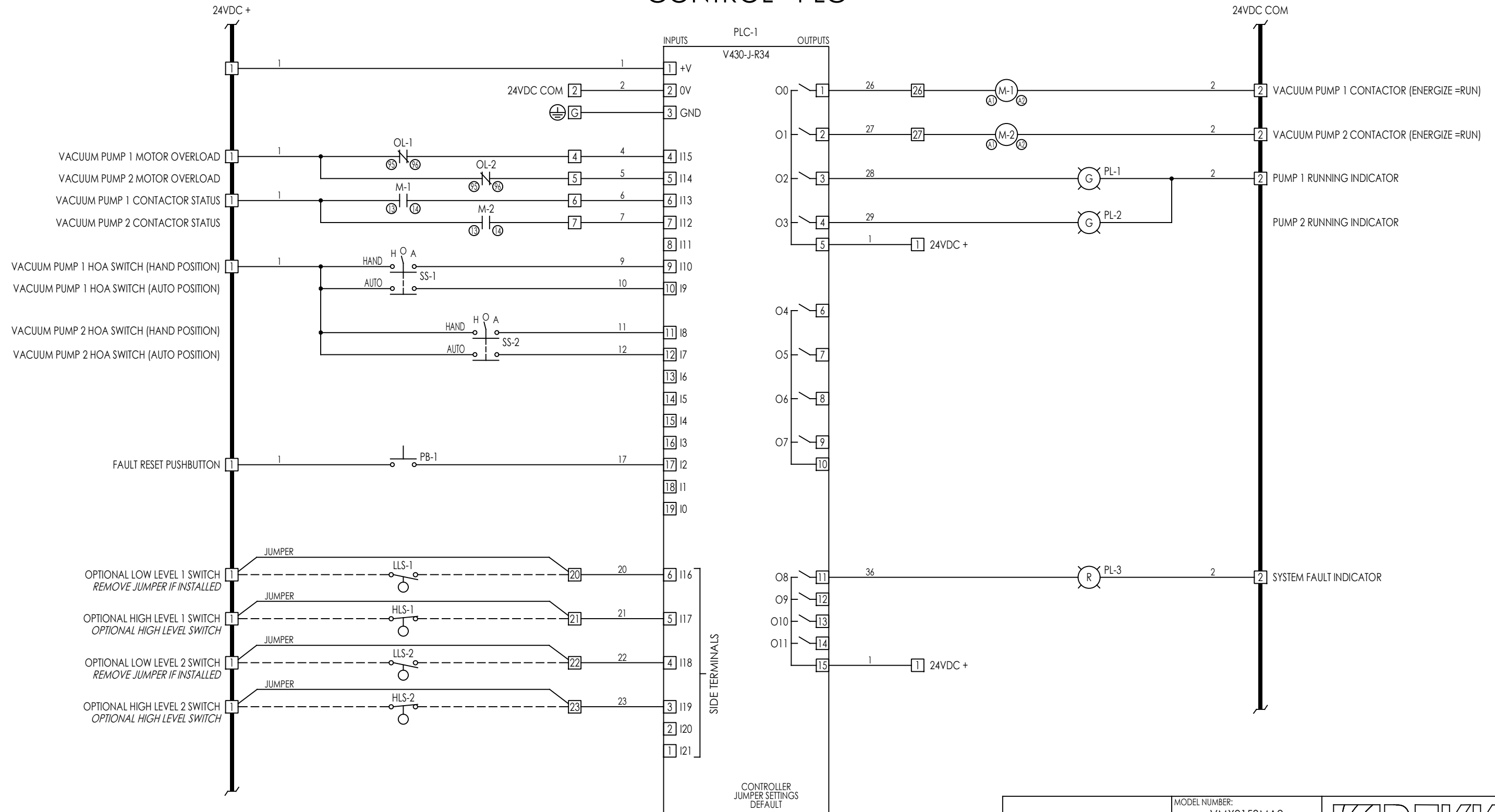


- NOTES:
1. □ INDICATES TERMINAL BLOCK
 2. ○ INDICATES RELAY TERMINAL POINT
 3. USE COPPER WIRE ONLY
 4. REPLACE WITH LIKE FUSES ONLY
 5. UL/cUL LISTED CONTROL PANEL
 6. TORQUE TERMINAL BLOCKS TO 5-7 LB-IN
 7. ----- DENOTES EXTERNAL WIRING

REVISIONS					
REV	DESCRIPTION	DATE	DWG	ERP	APP

TOLERANCES		MODEL NUMBER: VMX0153MA2		
DECIMAL ± .0625"		PART NUMBER: 2202-0902-540		
FRACTIONAL ± 1/16"		DESIGN BY: DLA	DATE: 3/16/20	DESCRIPTION: CONTROL PANEL INDUSTRIAL DUPLEX 10HP VMAX 460V NEMA 12
ANGULAR ± 0° 30' 00"		DRAWING BY: DLA	DATE: 3/16/20	
UNLESS OTHERWISE SPECIFIED IN DRAWING		CHECKED BY: NTH	DATE: 3/17/20	
THIS PRINT IS PROPERTY OF DEKKER VACUUM TECHNOLOGIES, INC. AND MAY NOT BE GIVEN TO ANY OTHER CONCERN WITHOUT THE CONSENT OF DEKKER VACUUM TECHNOLOGIES, INC.		APPROVED BY: RHC	DATE: 3/25/20	DRAWING TYPE: -
		REVIEWED BY: -	DATE: -	DWG NUMBER: 2020xxx-B
		WEIGHT: 110 LBS	SCALE: NONE	SHEET NUMBER: 2 OF 4

CONTROL - PLC



CONTROLLER
JUMPER SETTINGS
DEFAULT

REVISIONS					
REV	DESCRIPTION	DATE	DWG	ERP	APP

TOLERANCES

DECIMAL ± .0625"
 FRACTIONAL ± 1/16"
 ANGULAR ± 0° 30' 00"

UNLESS OTHERWISE SPECIFIED IN DRAWING

THIS PRINT IS PROPERTY OF DEKKER VACUUM TECHNOLOGIES, INC. AND MAY NOT BE GIVEN TO ANY OTHER CONCERN WITHOUT THE CONSENT OF DEKKER VACUUM TECHNOLOGIES, INC.

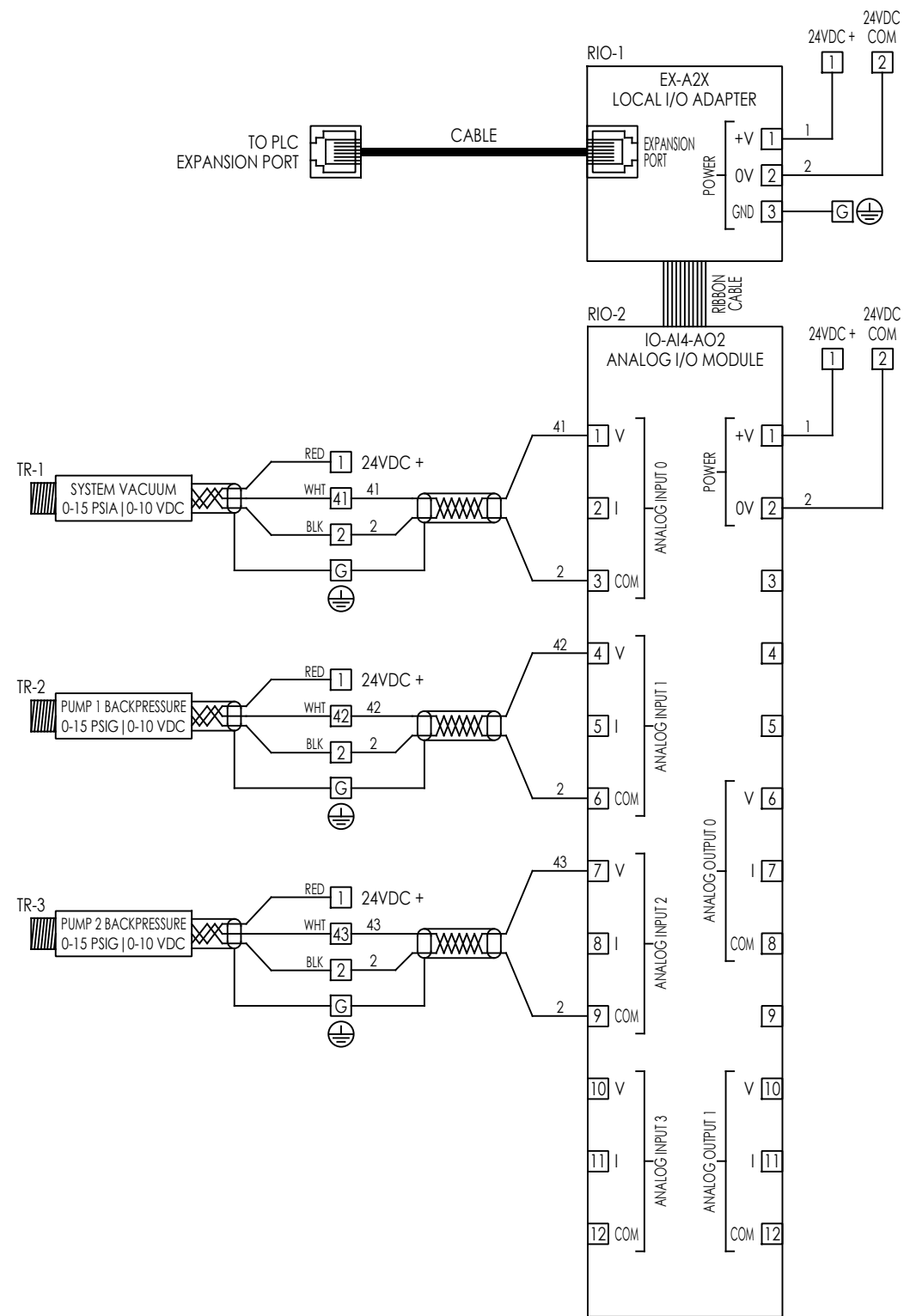
MODEL NUMBER: VMX0153MA2	
PART NUMBER: 2202-0902-540	
DESIGN BY: DLA	DATE: 3/16/20
DRAWING BY: DLA	DATE: 3/16/20
CHECKED BY: NTH	DATE: 3/17/20
APPROVED BY: RHC	DATE: 3/25/20
REVIEWED BY: -	DATE: -

DEKKER
VACUUM TECHNOLOGIES, INC.

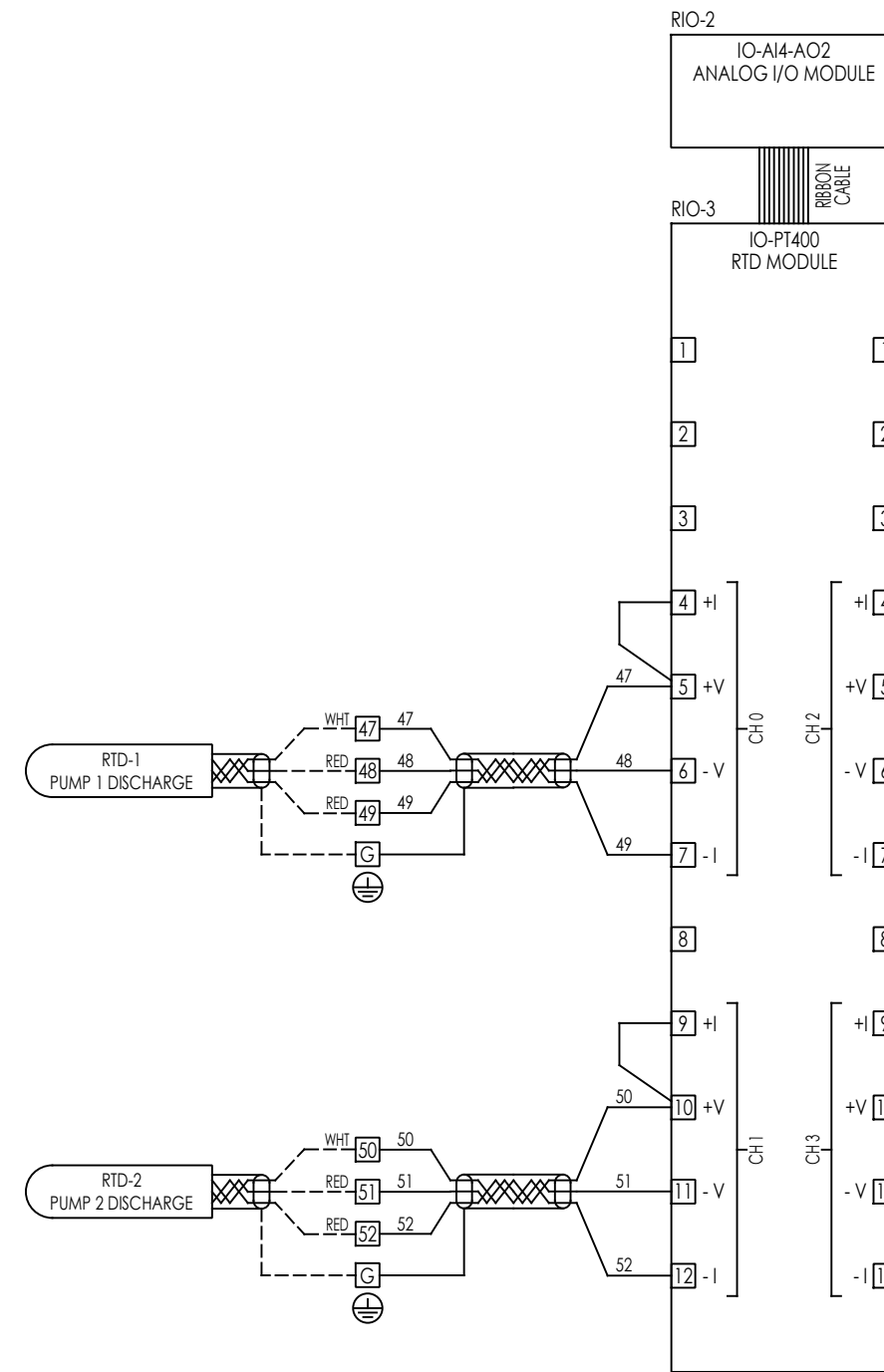
DESCRIPTION:
CONTROL PANEL INDUSTRIAL DUPLEX
10HP VMAX 460V NEMA 12

DRAWING TYPE: -	DWG NUMBER: 2020xxx-B
WEIGHT: 110 LBS	SCALE: NONE
SHEET NUMBER: 3 OF 4	

CONTROL - ANALOG I/O MODULE



CONTROL - RTD MODULE



REVISIONS					
REV	DESCRIPTION	DATE	DWG	ERP	APP

TOLERANCES		MODEL NUMBER: VMX0153MA2			
DECIMAL	± .0625"	PART NUMBER: 2202-0902-540			
FRACTIONAL	± 1/16"	DESIGN BY: DLA	DATE: 3/16/20	DESCRIPTION: CONTROL PANEL INDUSTRIAL DUPLEX 10HP VMAX 460V NEMA 12	
ANGULAR	± 0° 30' 00"	DRAWING BY: DLA	DATE: 3/16/20		
UNLESS OTHERWISE SPECIFIED IN DRAWING		CHECKED BY: NTH	DATE: 3/17/20	DRAWING TYPE: -	
THIS PRINT IS PROPERTY OF DEKKER VACUUM TECHNOLOGIES, INC. AND MAY NOT BE GIVEN TO ANY OTHER CONCERN WITHOUT THE CONSENT OF DEKKER VACUUM TECHNOLOGIES, INC.		APPROVED BY: RHC	DATE: 3/25/20		DWG NUMBER: 2020xxx-B
		REVIEWED BY: -	DATE: -	WEIGHT: 110 LBS	SCALE: NONE
				SHEET NUMBER: 4 OF 4	