

- 1 Vacuum connection (G2)
- 2 Exhaust air connection (G2)
- 3 Oil filler cap (G³/₄)
- 4 Oil sight glas (G1)
- 5 Screw plug for oil drain (G¹/₂)
- 6 Rubber buffer position
- 7 optional: threaded connector for exhaust air (G2)
- 8 optional: temperature sensor PT100
- L Length see motor table
- incl. gas ballast valve, non-return valve, oil separator and oil filter
- The motor illustration may vary
- Dimensions in inch

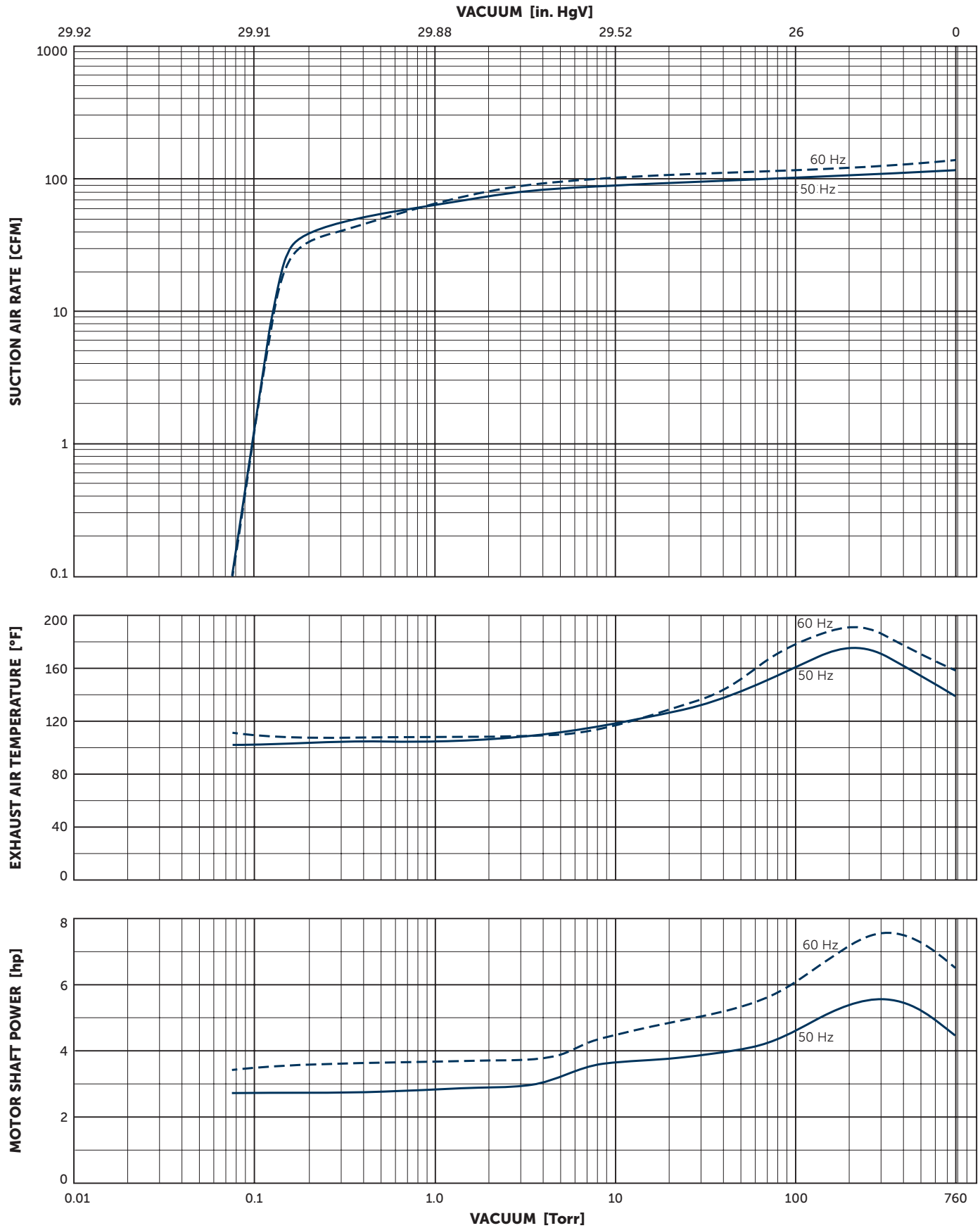
Nominal capacity		Vacuum absolute for continous operation		Motors		Emission sound pressure level ¹⁾		Weight w/o motor	Oil ²⁾
CFM		Torr		hp		dB(A)		lbs	U.S. gal.
50 Hz	60 Hz	50 Hz	60 Hz	50 Hz	60 Hz	50 Hz	60 Hz		
118	141	<0.075–75	<0.075–75	5.4	6.0/6.4	72	74	150	1.32
118	141	<0.075–300	<0.075–300	7.4	8.9	72	74	150	1.32

¹⁾ According to DIN EN ISO 11203, accuracy class of measurement: class 2, extended measurement uncertainty: 3 dB
39.4 inch distance, at medium load, both connection sides piped

²⁾ Becker Lube: Synthetic Oil • Premium Synthetic Oil (PAO) • Food Grade Vacuum Pump Oil
▪ Gas ballast valve: vacuum 0.75 Torr with opened gas ballast valve; water vapour tolerance max. 5.25 Torr; water vapour capacity max. 0.079 U.S.gal./h (at 185°F operating temperature)

3~ Motors													L
#	50 Hz					60 Hz					Version	Weight lbs	inch
	hp	V	rpm	A	hp	V	rpm	A					
01	5.4	Δ230/Y400	IE3	1465	15.6/9.0	6.0	Δ265/Y460 Δ230/Y400	IE3 –	1760 1747	15.2/8.8 15.9/9.2	UL (E365362) • CSA IP 55 • ISO F • bimetal	88.2	33.6
02	5.4	YY200/Y400	IE3	1465	18.0/9.0	6.4	YY230/Y460 YY208	IE3 IE3	1759 1753	18.4/9.2 18.7	UL (E235514) • CSA CC329B IP 55 • ISO F • bimetal	88.2	33.6
03	5.4	Δ200/Y350	–	1467	20.3/11.7	6.4	Δ200/Y380–400 Δ200/Y350	IE3 –	1760 1753	18.5/10.7–10.2 19.0/11.0	UL (E235514) • CSA CC329B IP 55 • ISO F • bimetal	88.2	33.6
04						6.4	Δ400/Y690	IE3	1763	9.8/5.65	UL (E235514) • CSA CC329B IP 55 • ISO F • bimetal	88.2	33.6
05	7.4	Δ230/Y400	IE3	1468	20.7/12.0	8.9	Δ265/Y460 Δ230/Y400	IE3 –	1762 1750	20.6/11.9 21.6/12.5	IP 55 • ISO F • bimetal	116.9	34.9
06	7.4	Δ400	IE3	1468	12.3	8.9	Δ460 Δ400	IE3 –	1764 1751	12.0 12.4	IP 55 • ISO F • bimetal	116.9	34.9
07						8.9	YY230/Y460 YY208	IE3 –	1770 1760	23.9/12.0 24.2	UL (E365362) • CSA CC3348 IP 55 • ISO F • bimetal	140.0	36.4
08	7.4	Δ200/Y350	IE3	1474	27.4/15.8	8.9	Δ200/Y380–400 Δ200/Y350	IE3 –	1769 1761	25.1/14.5–13.8 25.4/14.65	UL (E365362) • CSA IP 55 • ISO F • bimetal	140.0	36.4

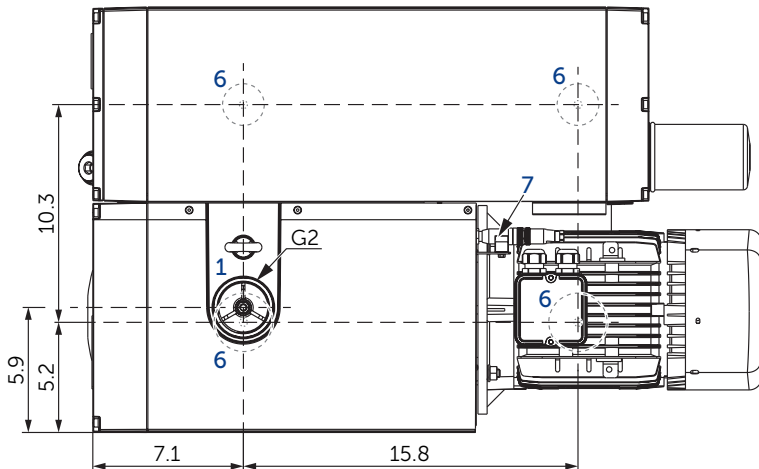
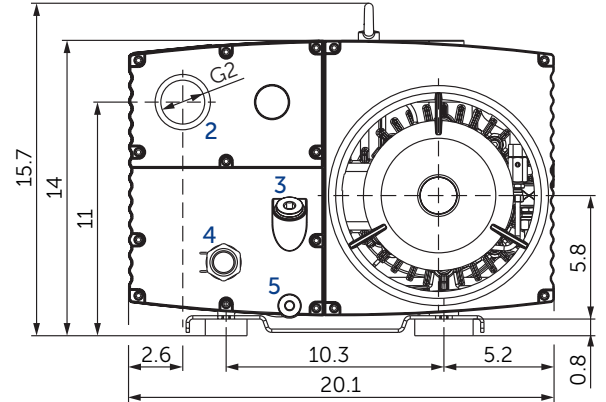
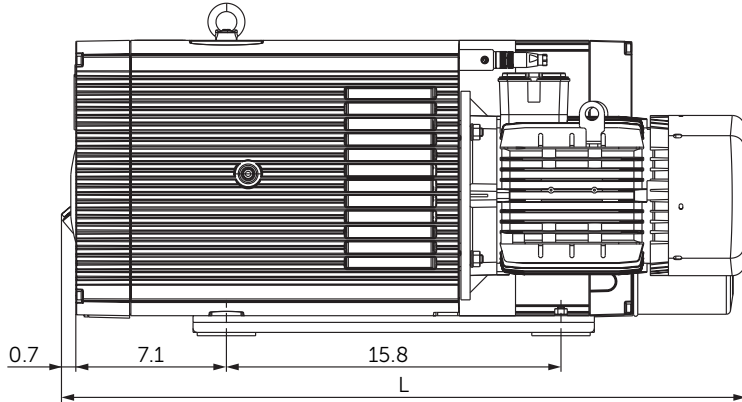
• Current consumption and rotation speed may vary. Tolerance in each case -1.5/+2%



Suction air rate refers to the intake pressure
 Reference data (atmosphere): 0 In. HgV / 760 Torr, 68°F; Tolerance: ±10%

+ VARIANTS AND ACCESSORIES

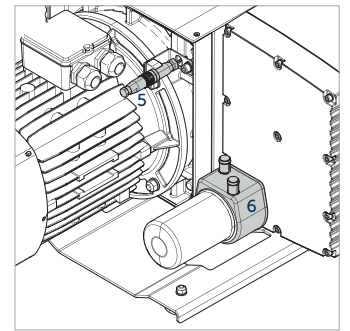
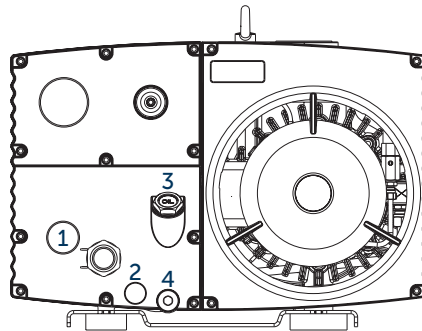
- Optional **GAS BALLAST VALVE** for increased water vapour tolerance (2.25 Torr)
water vapour tolerance: max. 7.5 Torr; water vapour capacity: max. 0.528 U.S.gal./h (at 185°F operating temperature)
- **THREADED CONNECTOR** for exhaust air (G2)
- **VARIAR U 5.201**¹⁾ with VARIAIR frequency inverter
- **U 5.201 O2-PACK**¹⁾ for packaging with an overconcentration of oxygen
- **U 5.201/0-62XL** with enlarged oil tank and high efficient triple stage oil separation,
weight without motor: 172 lbs, oil quantity: 2.6 U.S. gal., further technical data, motors and characteristic curves like standard pump



- 1 Vacuum connection (G2)
- 2 Exhaust air connection (G2)
- 3 Oil filler cap (G³/₄)
- 4 Oil sight glas (G1)
- 5 Screw plug for oil drain (G¹/₂)
- 6 Rubber buffer position
- 7 Optional temperature sensor PT100
- L Length see motor table
- incl. gas ballast valve, non-return valve, oil separator and oil filter
- The motor illustration may vary
- Dimensions in inch

ACCESSORIES

- 1 Oil level switch¹⁾ (G1)
- 2 Oil temperature monitor¹⁾ (G¹/₂)
- 3 Maintenance indicator¹⁾ (G³/₄) for oil separating elements
- 4 Ball valve (G¹/₂), with locking and hose connector 0.75 inch
- 5 Temperature sensor PT100
- 6 Water cooler U5.200-0-114.2¹⁾
- External suction filter
- Oil: Synthetic Oil, Premium Synthetic Oil (PAO) and Food Grade Vacuum Pump Oil



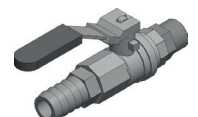
Oil level switch



Oil temperature monitor



Maintenance indicator



Ball valve

¹⁾ See separate data sheet
▪ Combination options on request