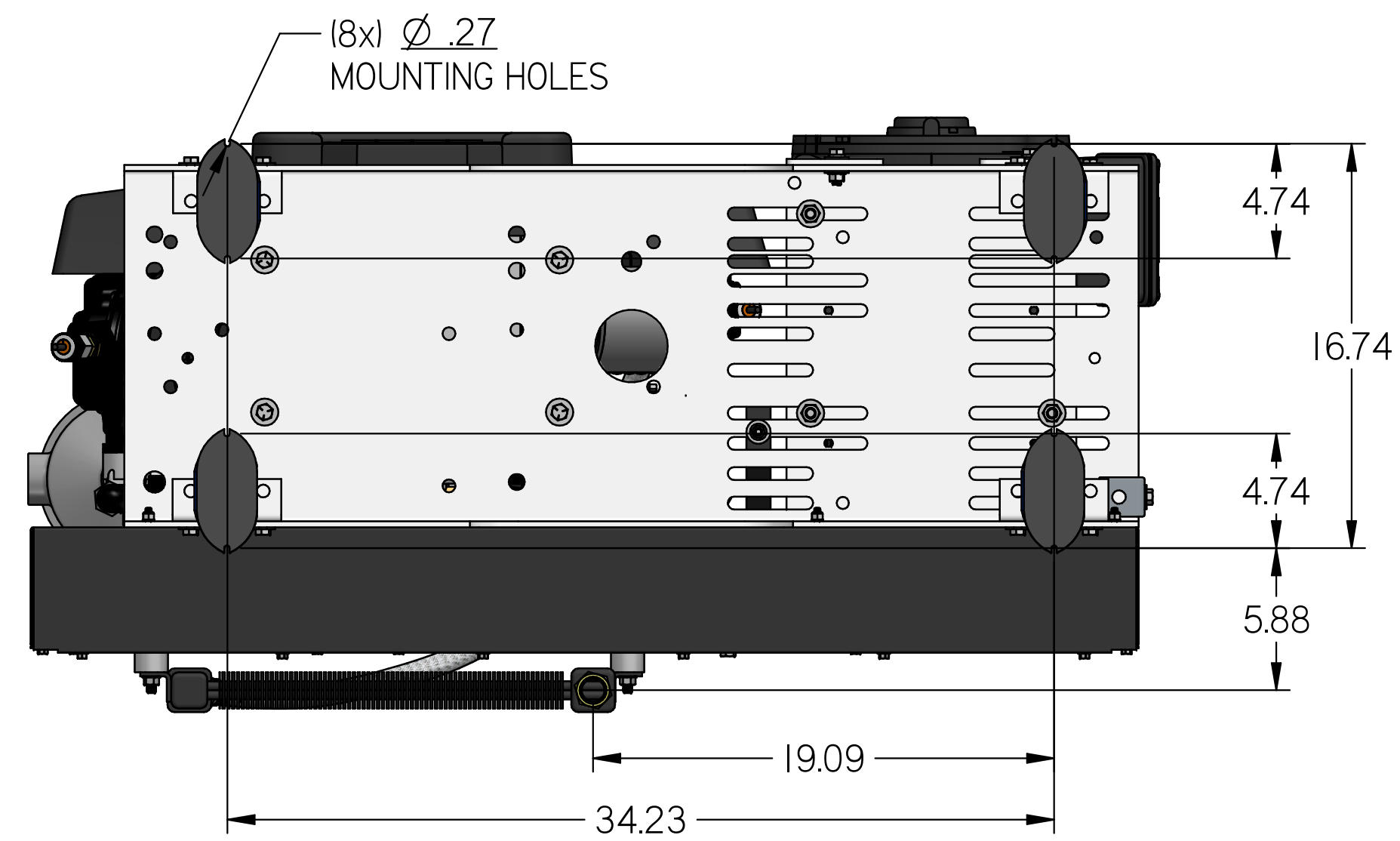
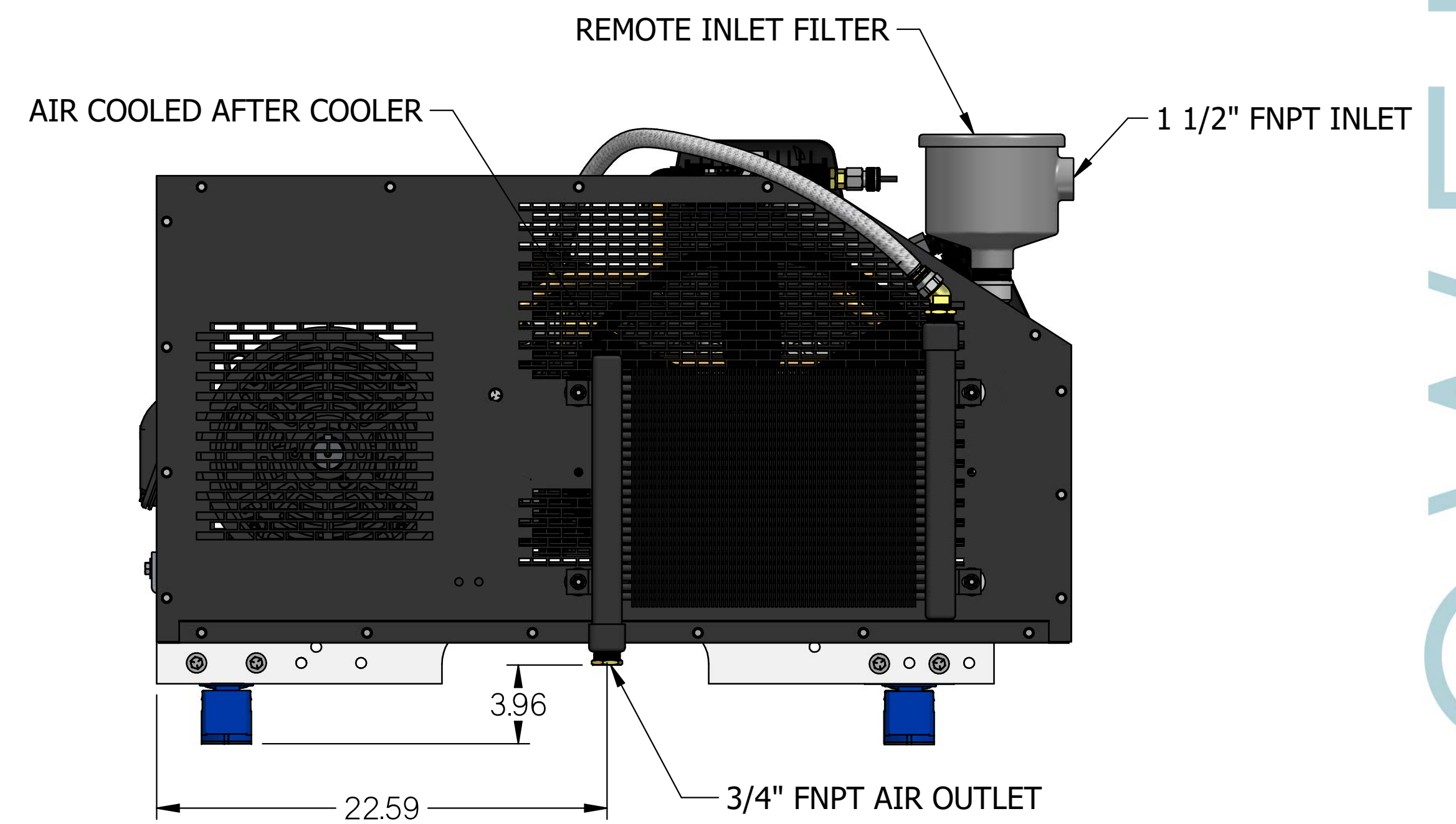
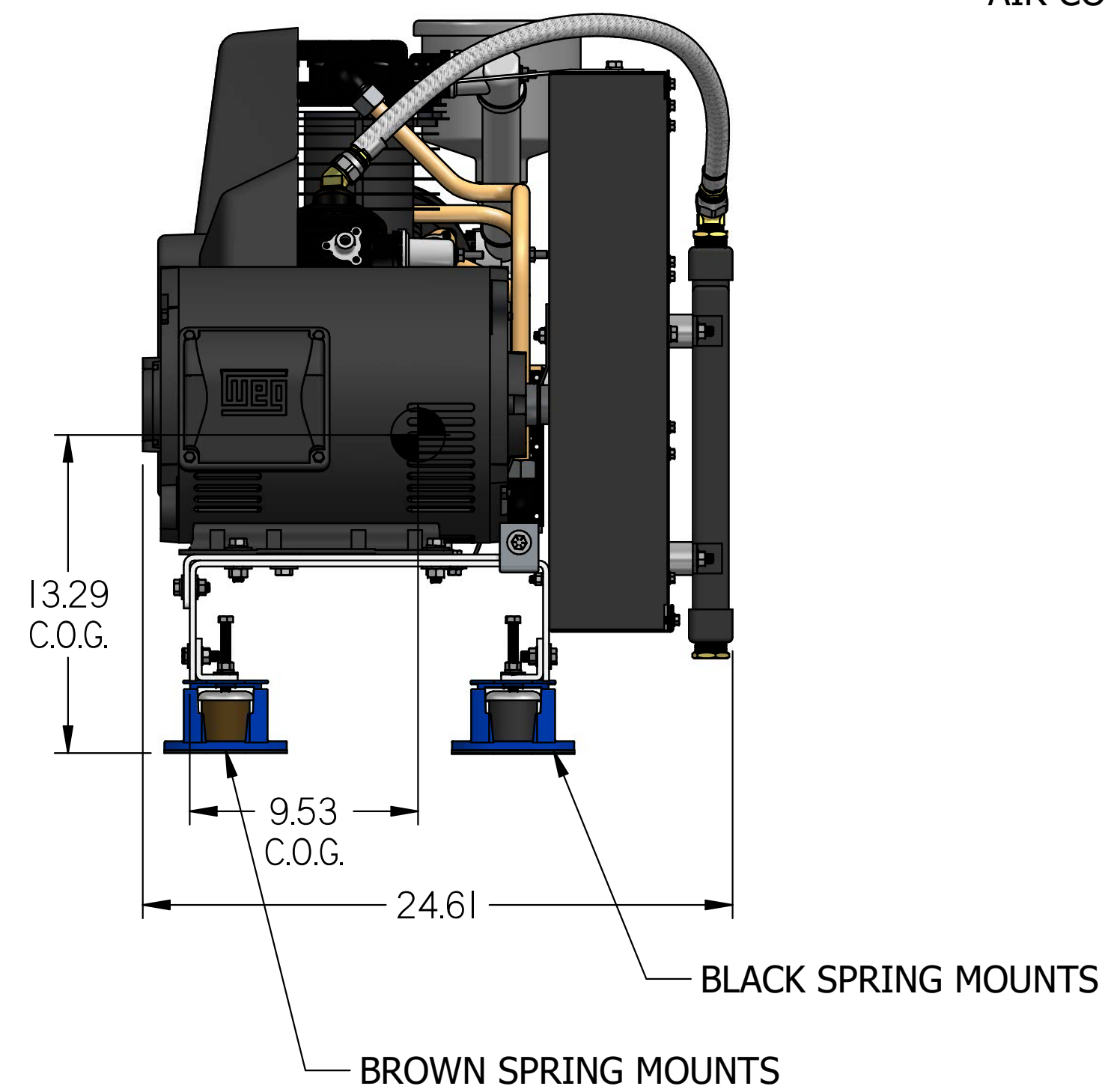
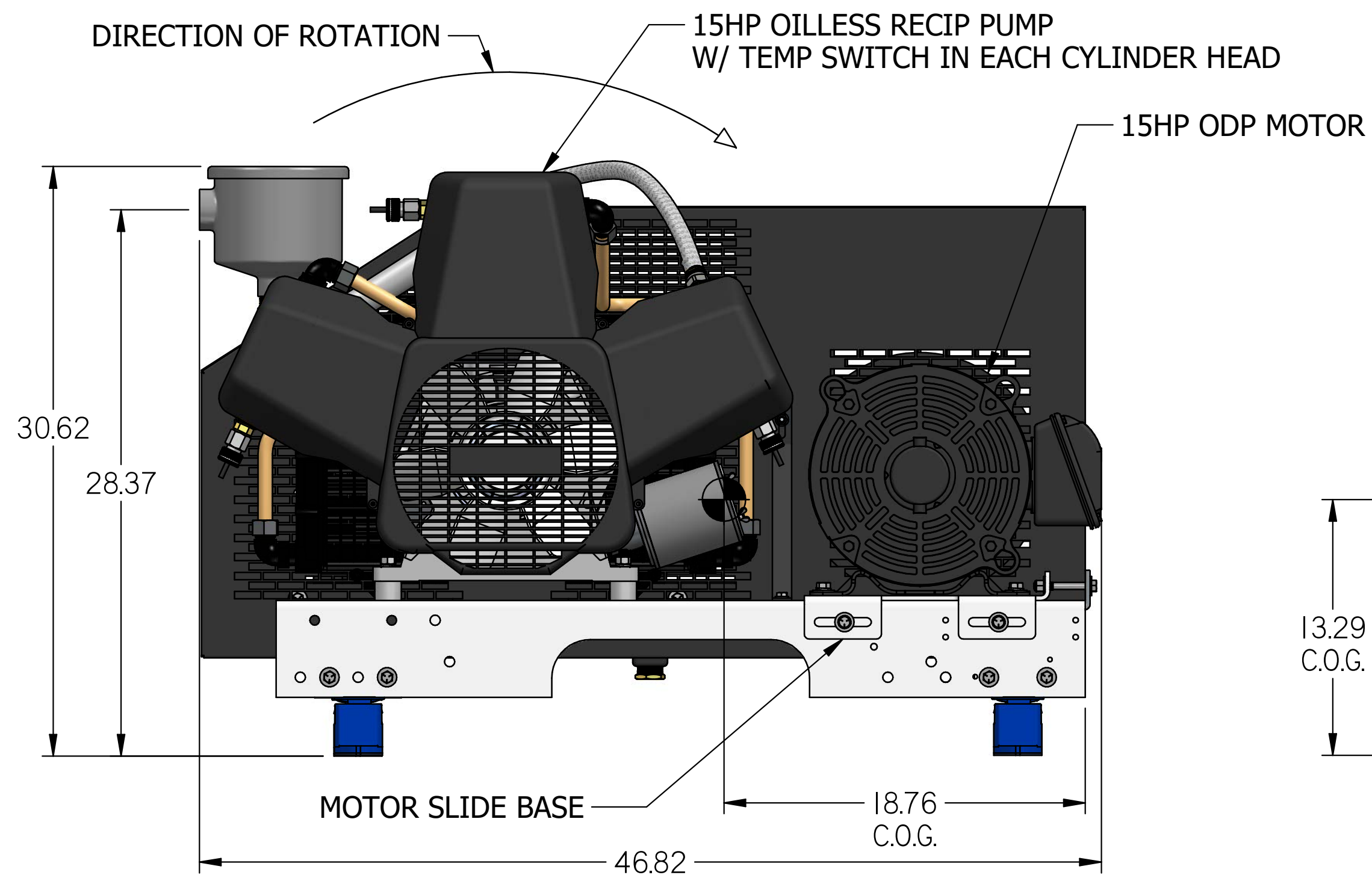
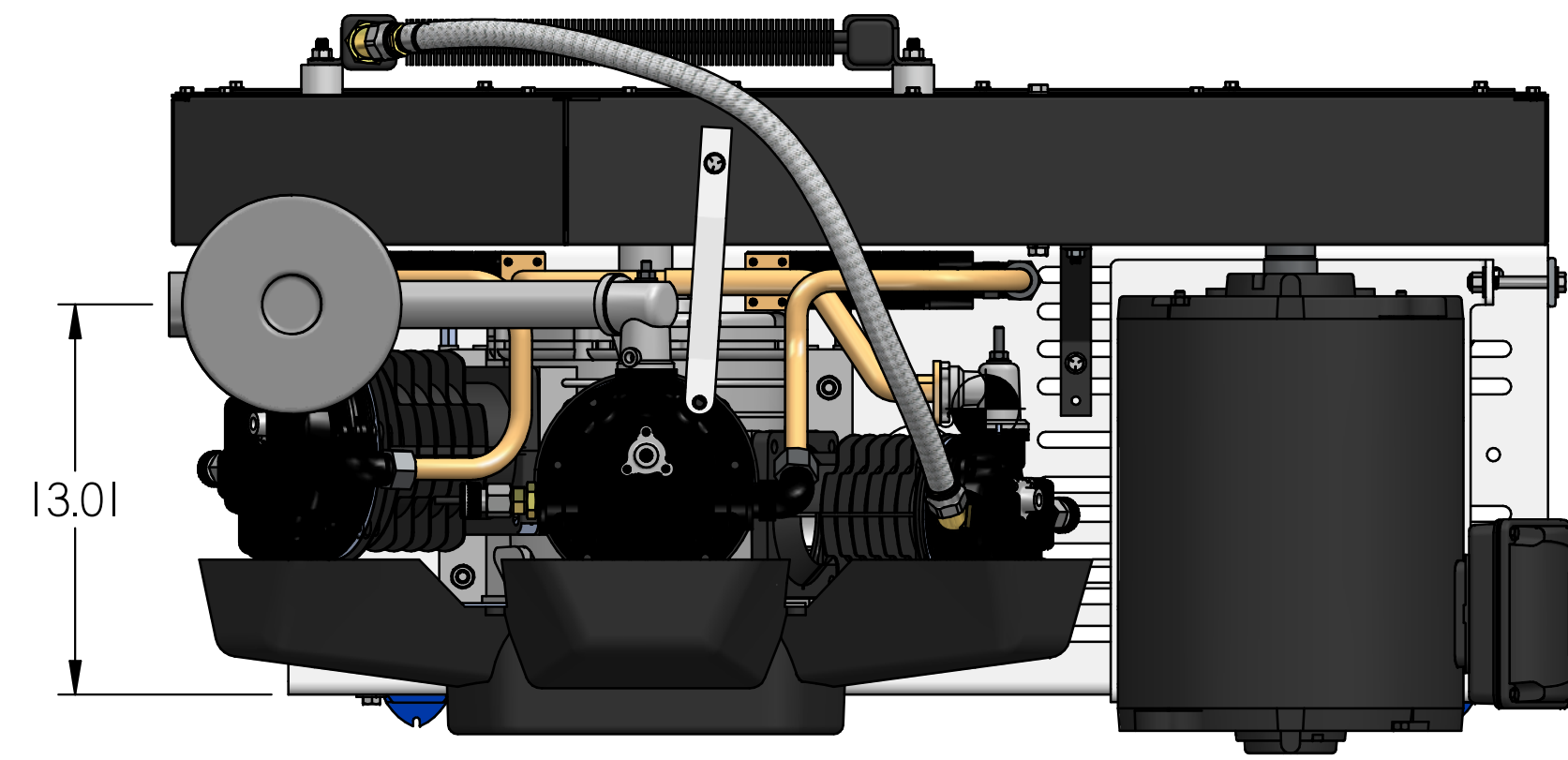


OBS150700-MED

OBS 15HP MED HIGH TEMP & REMOTE INLET

REVISION NOTES		
DESCRIPTION	ECN	PR/NOR
CREATED MODEL AND DWG IN SE & TC	PXEC0494	N/A

POWEREX™



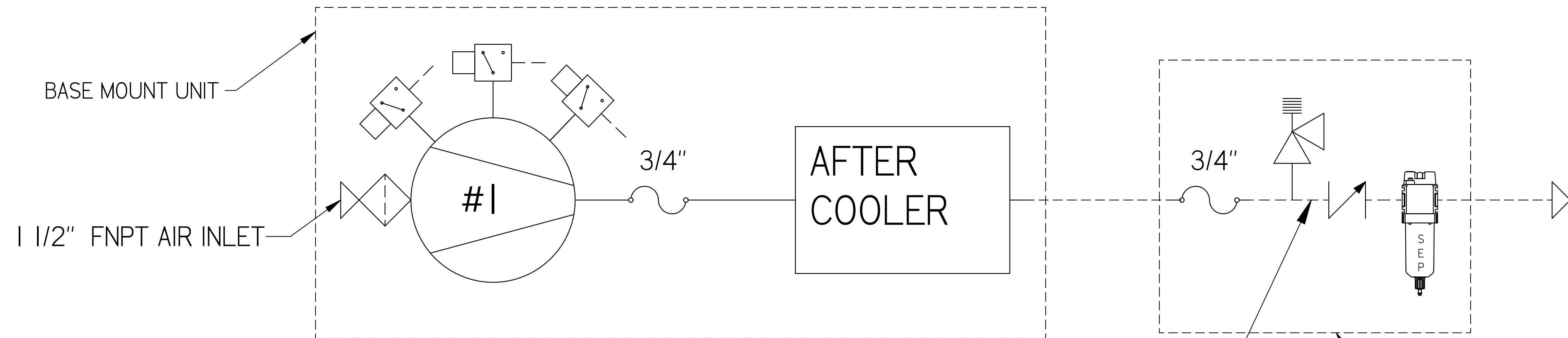
- NOTES:
1. APPROXIMATE WEIGHT: 480 LBS
 2. A MINIMUM OF 24" CLEARANCE IS RECOMMENDED AROUND THE ENTIRE UNIT.
 3. SYSTEM DESIGNED IN COMPLIANCE WITH U.S. NFPA '99, LATEST EDITION.

SYMBOL LEGEND		DRAWINGS TO CONFORM TO CURRENT REVISION OF THE FOLLOWING ANSI STANDARDS:	
		Y14.1 MULTI AND SECTIONAL VIEW DWGS	
		Y14.5 DIMENSIONING AND TOLERANCING	
TOLERANCES, UNLESS OTHERWISE SPECIFIED:		DO NOT SCALE DRAWING FOR DIMENSIONS	
0.XX ± .05	SOLID EDGE DRAWING		
0.XXX ± .005			
± .1	INCH [mm]	SHEET 1 OF 2	SCALE 1:6
CONFIDENTIAL DISCLOSURE This drawing is the property of POWEREX of the SCOTT FEZTER COMPANY and is subject to return on demand. Its contents are confidential and must not be copied or submitted to outside parties for use or examination.		AUTHOR	REVISION DATE
		gseaver	1/10/2023
ITEM NO: 740157		APPROVALS ON FILE IN PLM	
MATERIAL: ---		POWEREX	
		150 PRODUCTION DRIVE, HARRISON OH 45030 (888) 769-7929	
DESCRIPTION	DRAWING NUMBER	REVISION	SIZE
OBS 15HP MED HIGH TEMP & REMOTE INLET	OBS150700-MED	B	D

OBS150700-MED

OBS 15HP MED HIGH TEMP & REMOTE INLET

REVISION NOTES		
DESCRIPTION	ECN	PR/NOR
CREATED MODEL AND DWG IN SE & TC	PXEC0494	N/A



THIS UNIT WILL REQUIRE EITHER A MECHANICAL OR ELECTRICAL UNLOADER UPSTREAM OF THE CHECK VALVE THAT ACTIVATES WHEN THE UNIT SHUTS OFF.

SHIPS LOOSE

POWEREX™

LEGEND (Leyenda)

	COMPRESSOR PUMP (Compresor de Aire)		INTAKE FILTER (Filtro admisión)
	RELIEF VALVE (Válvula de seguridad)		BALL VALVE (Válvula bola)
	CHECK VALVE (Válvula Cheque)		TEMPERTURE SWITCH (Interruptor temperatural)
	FLEX HOSE (Manguera flexible)		PRESSURE SWITCH/TRANSDUCER (Interruptor/Transductor presión)
	AIR LINE (Tubería de Aire)		FILTER/SEPERATOR (Filtro/Seperador)

SYMBOL LEGEND		DRAWINGS TO CONFORM TO CURRENT REVISION OF THE FOLLOWING ANSI STANDARDS: Y14.3 MULTI AND SECTIONAL VIEW DWGS Y14.5 DIMENSIONING AND TOLERANCING	
TOLERANCES, UNLESS OTHERWISE SPECIFIED	SOLID EDGE DRAWING	DO NOT SCALE DRAWING FOR DIMENSIONS	
0.XXX ± .005	INCH [mm]	SHEET 2 OF 2	SCALE 1:1
0.000 ± .001			
CONFIDENTIAL DISCLOSURE This drawing is the property of POWEREX of the SCOTT FEZTER COMPANY and is subject to return on demand. Its contents are confidential and must not be copied or submitted to outside parties for use or examination.		AUTHOR gseaver	REVISION DATE 1/10/2023
ITEM NO: 740157		APPROVALS ON FILE IN PLM	
MATERIAL: ---		POWEREX 150 PRODUCTION DRIVE, HARRISON OH 45030 (888) 769-7979	
DESCRIPTION OBS 15HP MED HIGH TEMP & REMOTE INLET	DRAWING NUMBER OBS150700-MED	REVISION B	SIZE D