

DATA SHEET

KDT 3.140

ROTARY VANE COMPRESSORS

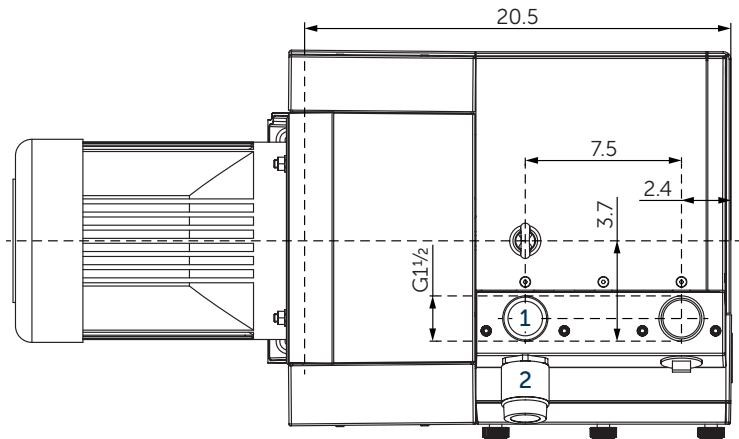
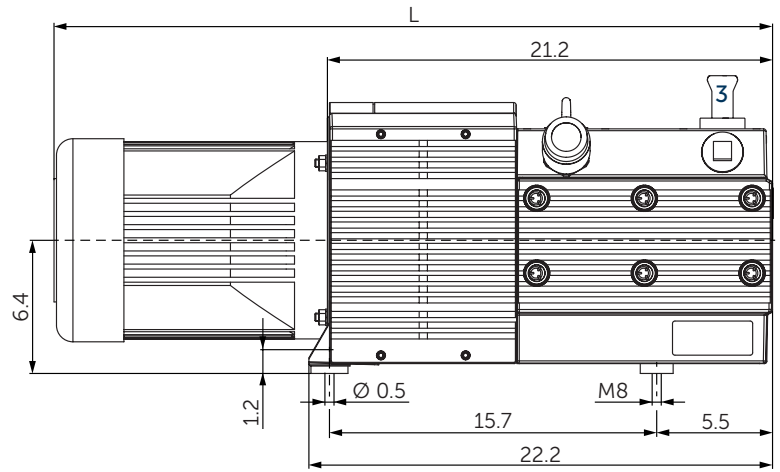
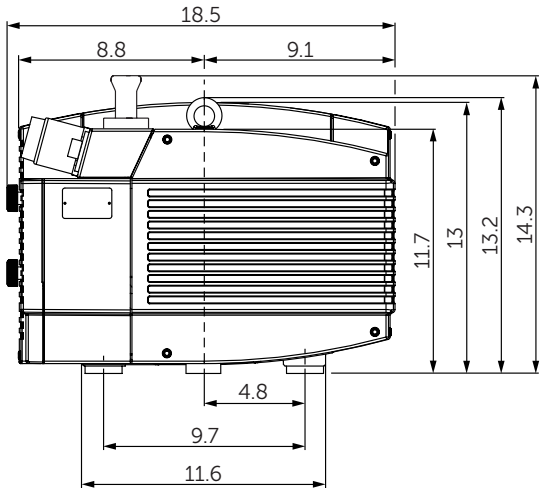
oil-free

air-cooled

MAKE IT BECKER.



figure KDT 3.80



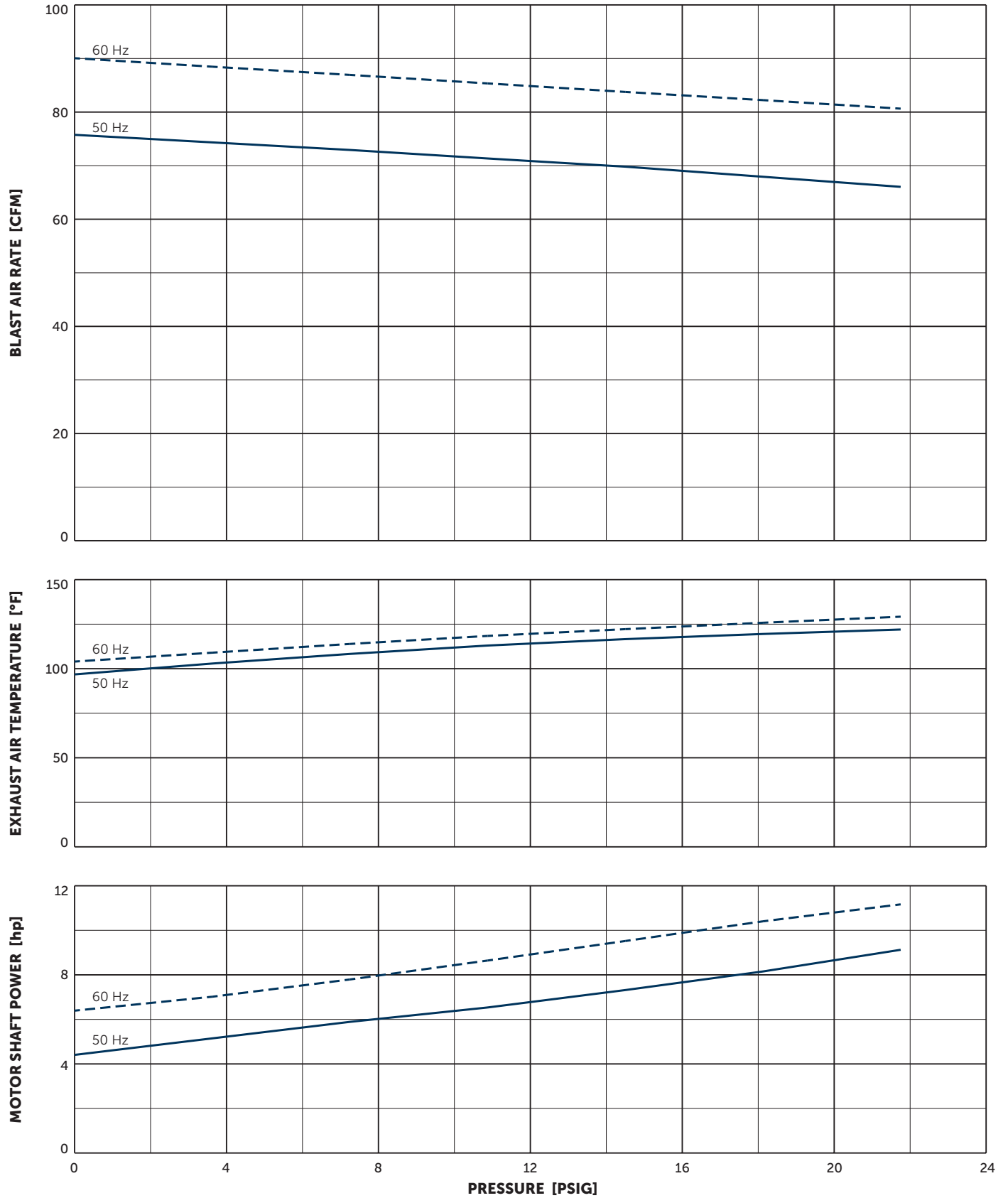
- 1 Pressure connection (G1 $\frac{1}{2}$)
- 2 Pressure regulating valve
- 3 Air nozzle
 - Including integrated suction air filter
 - The motor illustration may vary.
 - Dimensions in inch

Blast air rate		Pressure		Motors		Emission sound pressure level ¹⁾		Weight without motor
CFM		PSIG		hp		dB(A)		lbs
50 Hz	60 Hz	50 Hz	60 Hz	50 Hz	60 Hz	50 Hz	60 Hz	
76	90	7.25	7.25	7.4	8.9	80	82	172
76	90	14.5	14.5	10.1	12.1	82	84	172
76	90	21.75	21.75	10.1	12.1	82	84	172

¹⁾ According to DIN EN ISO 3744 (KpA = 3 dB(A)), 39.4 inch distance, at medium load, both connection sides piped

3~ Motors ¹⁾												L	
#	50 Hz				60 Hz				Version	Weight lbs	inch		
	hp	V	rpm	A	hp	V	rpm	A					
01	7.4	Δ400	IE3	1470	12.3	8.9	Δ460 Δ400	IE3	1765 1750	12.0 12.4	IP55 • ISO F • bimetal	116.9	36.0
02						8.9	YY230/Y460 YY208	IE3	1768 1760	23.9/11.95 24.2	UL(E365362) • CSA IP55 • ISO F • bimetal	140.0	37.5
03	7.4	Δ200/Y350	IE3	1465	21.5/12.4	8.9	Δ220/Y380–400 Δ200/Y350	IE3	1755 1740	22.5/13.0–12.7 24.1/13.9	UL(E365362) • CSA CC334B IP55 • ISO F • bimetal	140.0	37.5
04						8.9	Δ400/Y690	IE3	1760	12.5/7.2	UL(E365362) • CSA CC334B IP55 • ISO F • bimetal	140.0	37.5
05	10.1	Δ400	IE3	1445	16.0	12.1	Δ460 Δ400	IE3	1735 1725	15.5 18.0	IP55 • ISO F • bimetal	121.3	37.5
06						12.1	YY230/Y460 YY208	IE3	1763 1760	33.6/16.8 33.8	UL(E235514) • CSA CC329B IP55 • ISO F • bimetal	149.9	37.1
07	10.1	Δ200/Y350	IE3	1450	31.8/18.3	12.1	Δ220/Y380–400 Δ200/Y350	IE3	1760 1745	31.5/18.2–17.3 33.9/19.5	IP55 • ISO F • bimetal	121.3	37.5
08						12.1	Δ400/Y690	IE3	1760	19.2/11.1	IP55 • ISO F • bimetal	121.3	37.5
09						12.0	YY230/Y460 YY208	IE3	1735	28.4/14.2 31.4	UL • CSA • NEMA • ISO F	≈196.0	

• Current consumption and rotation speed may vary. Tolerance in each case -1.5/+2%



Reference data (atmosphere): 0 PSIG, 68°F; Tolerance: ±5%

+ VARIANTS AND ACCESSORIES

- **KDT 3.140/0-52** for short-time operation with +2.0 bar¹⁾
- **VARIAIR KDT 3.140/0-400** with frequency inverter¹⁾
- Increased corrosion protection
- External suction filter¹⁾
- Sound proof box SH 13¹⁾



VARIAIR KDT 3.140/0-400



Example for an external suction filter



Sound proof box SH 13

¹⁾ See separate data sheet

- Possible combinations on request



MAKE IT BECKER.