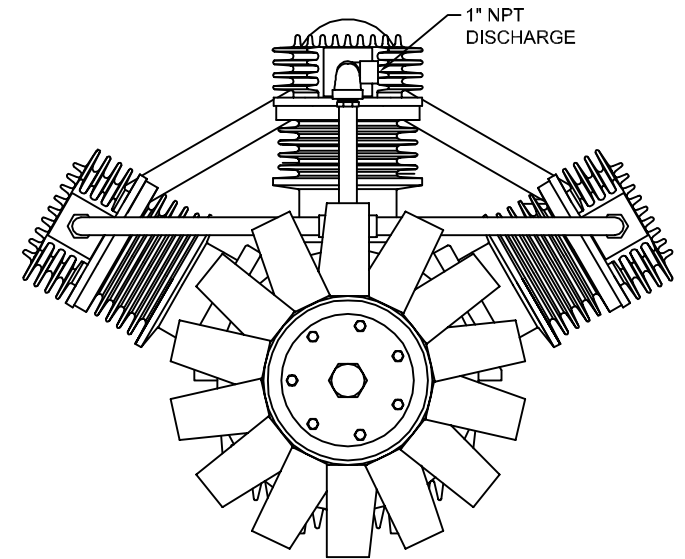
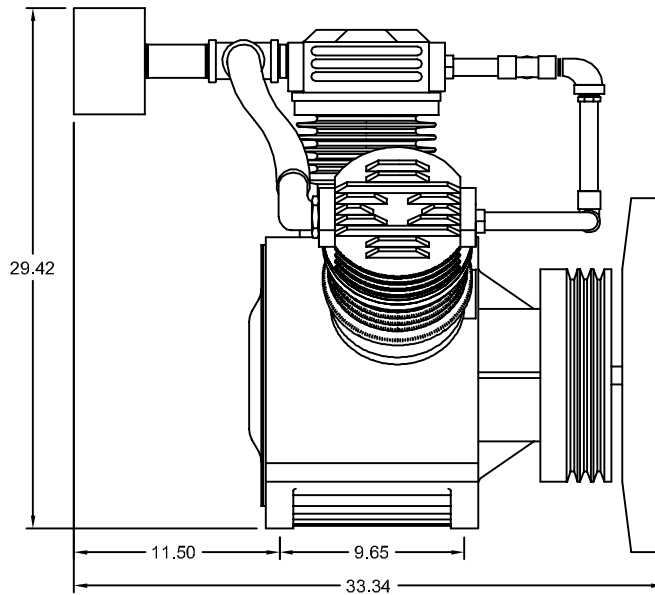
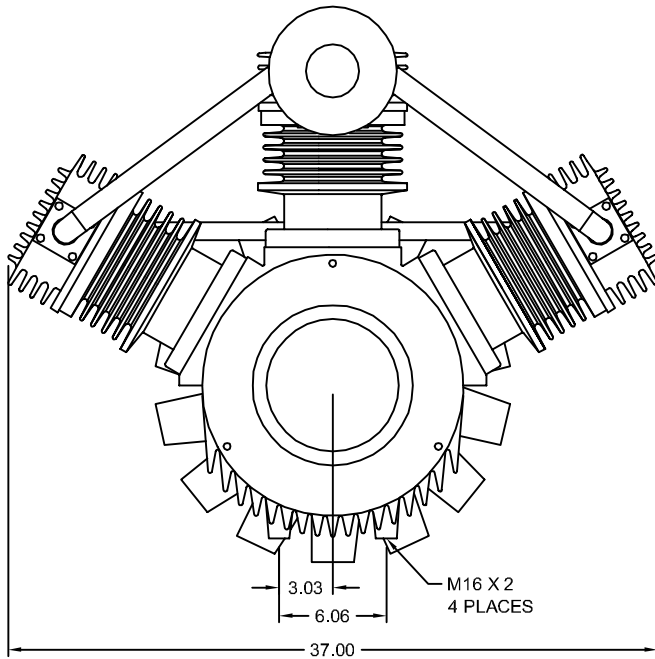


UNCONTROLLED
COPY



UNCONTROLLED
COPY

NOTES:

1. REFERENCE DRAWING ONLY. MAY NOT INCLUDE SPECIFIC ACCESSORY ITEMS FOR ANY PARTICULAR ORDER.
2. DO NOT SCALE PRINT. TYPICAL DIMENSIONS ONLY.
3. SPECIFICATIONS AND DIMENSIONS ARE SUBJECT TO CHANGE WITHOUT NOTICE OR OBLIGATION.
4. ALL DIMENSIONS IN INCHES.



UNIT MODEL

WTS55A PUMP

PAGE 1 OF 1

PRINT NO.:	
DD-B-0504	
DRWN BY: M.D.H.	
DATE: 10-07-2004	REV
CHK'D BY:	B
DATE:	