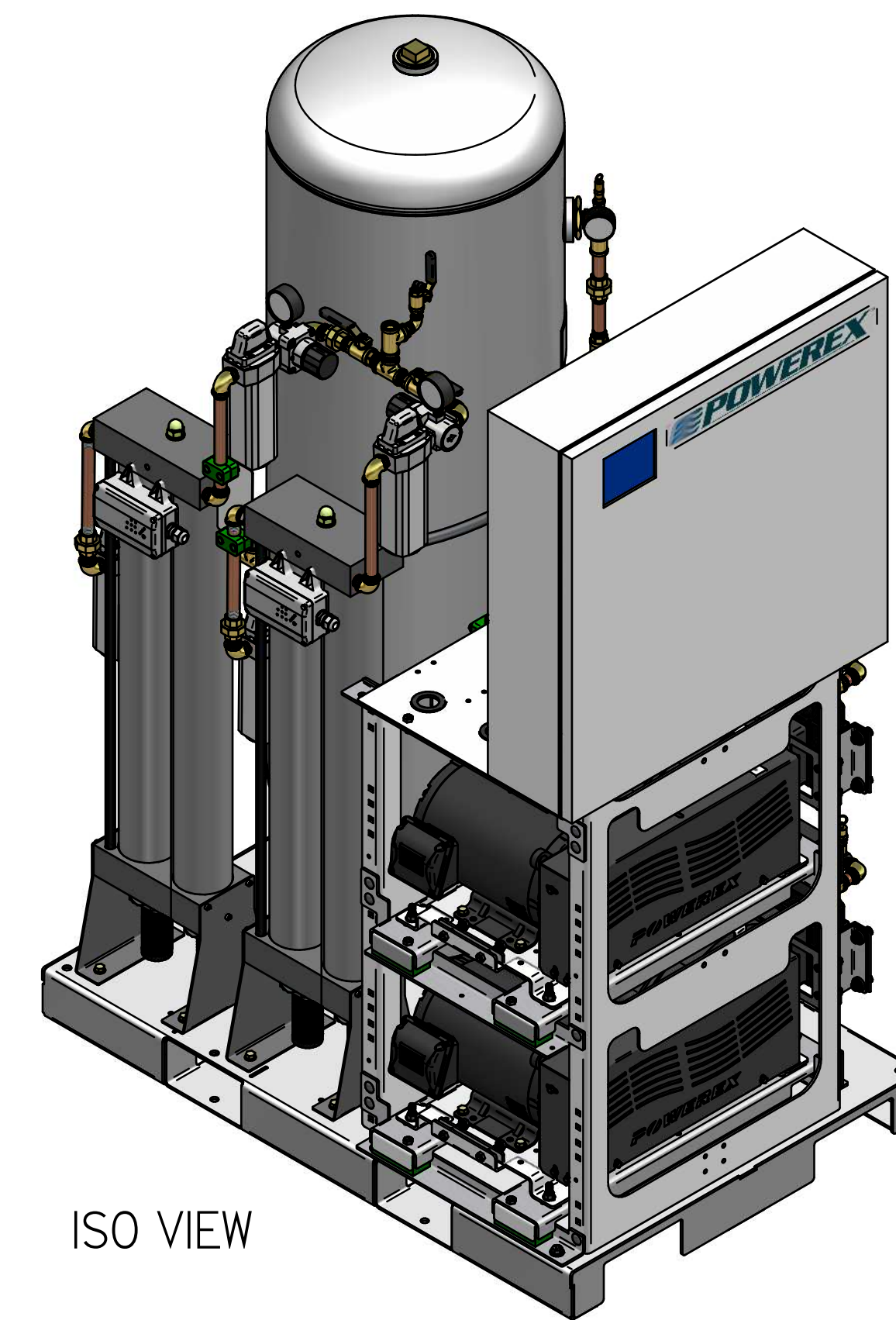
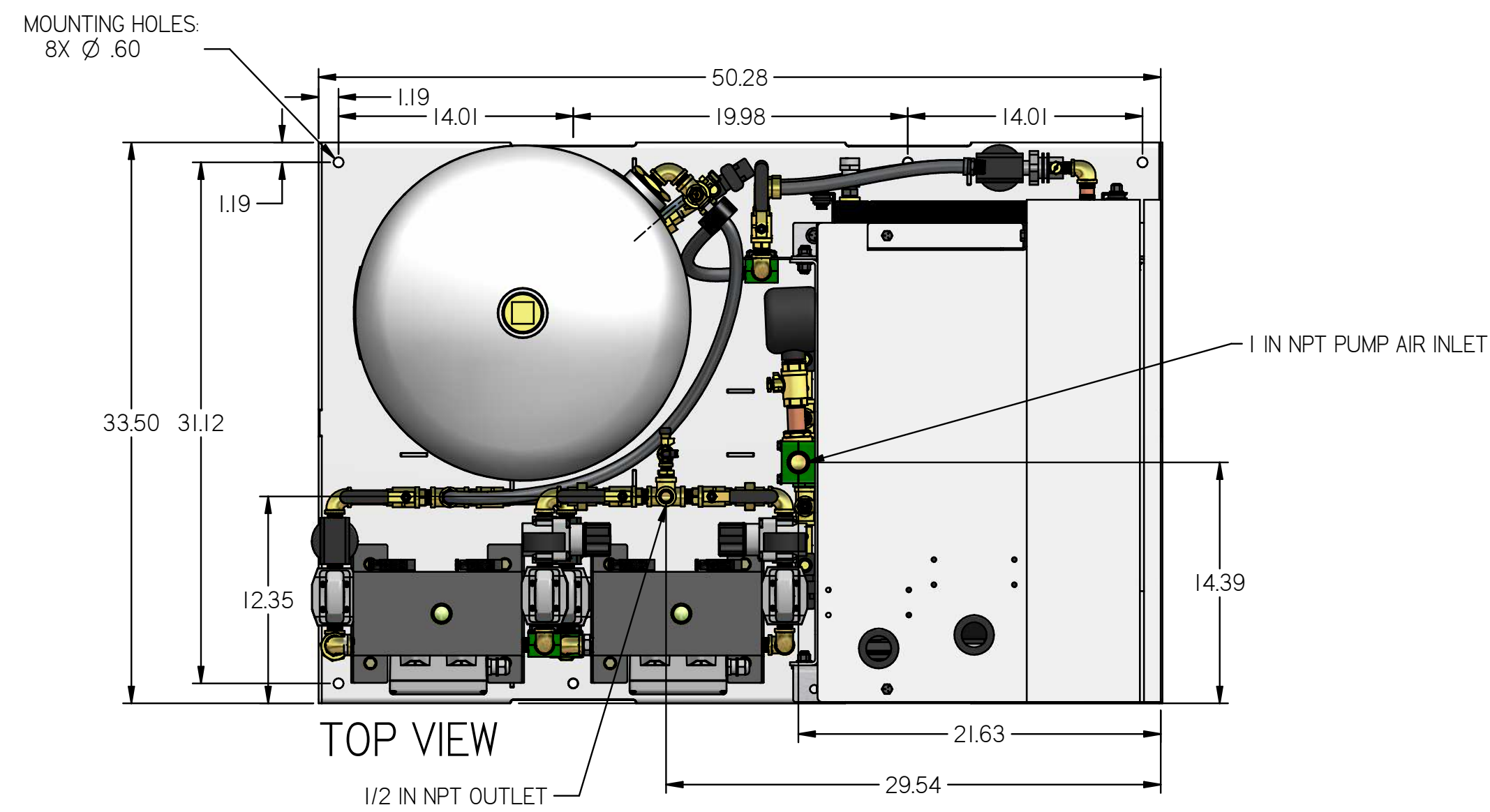


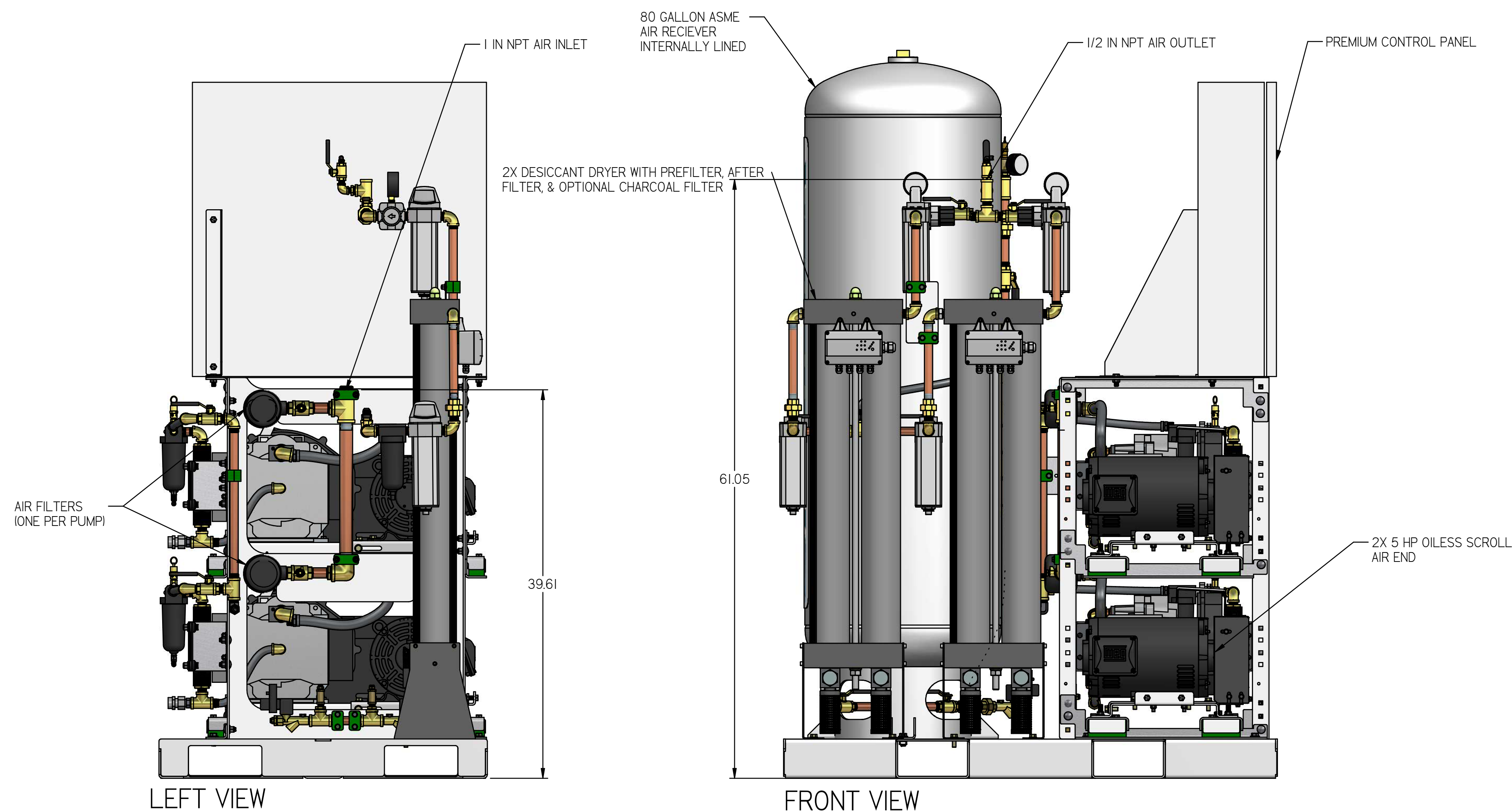
REVISION NOTES		
DESCRIPTION	ECN	PR/NOR
PRODUCTION RELEASE	PXECO169	N/A

LSD05A3

LAB OPEN SCROLL SYSTEM
5 HP DUPLEX WITH 80
GALLON TANK
PREMIUM PANEL

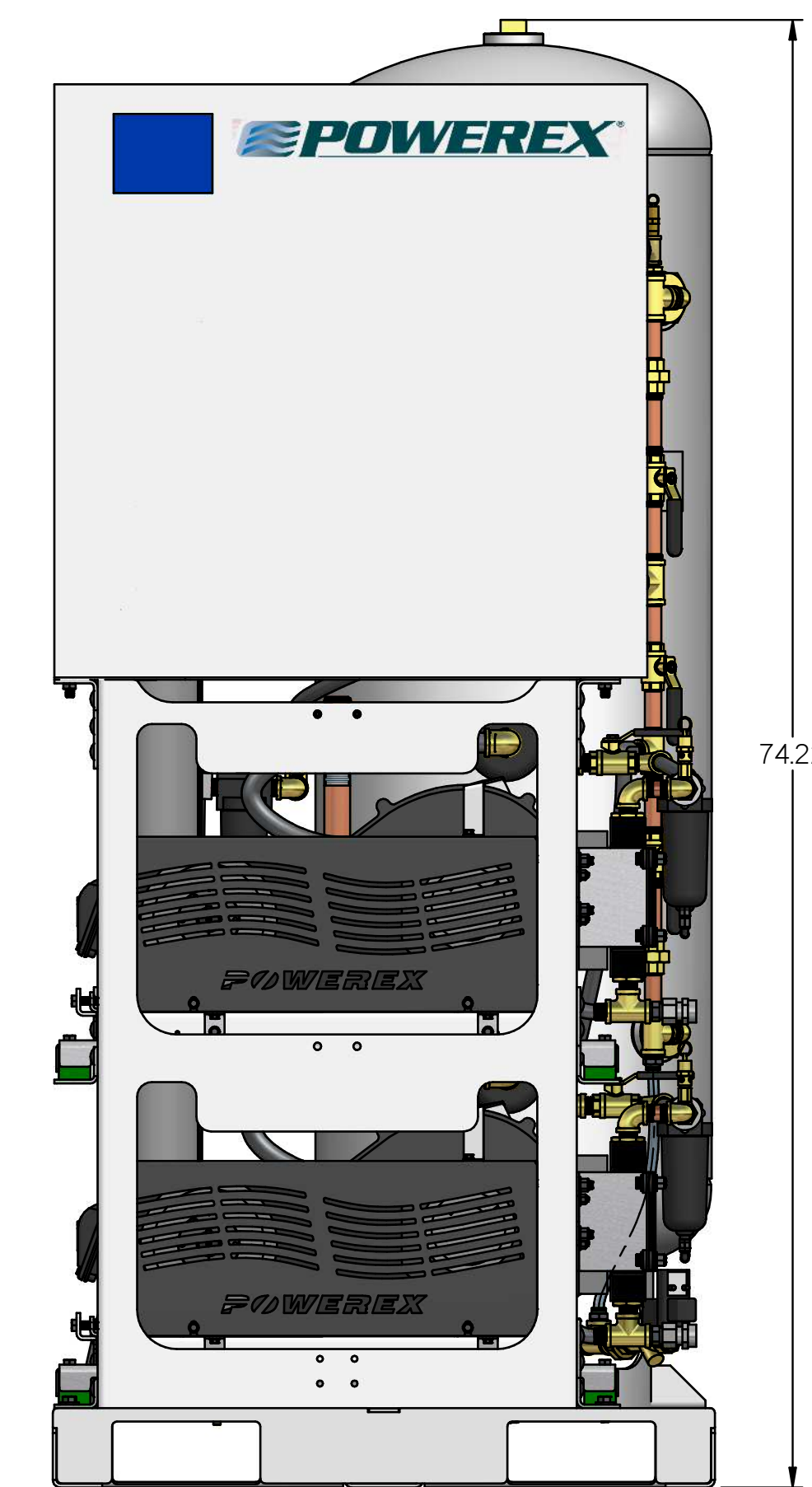


ISO VIEW




LEFT VIEW

FRONT VIEW



RIGHT VIEW

- NOTES:
1. APPROX SYSTEM WEIGHT: 1222 LB
2. 24" MINIMUM MAINTENANCE CLEARANCE RECOMMENDED ALL SIDES. CLEARANCE FOR CONTROL PANELS SHALL BE IN ACCORDANCE WITH OSHA/NEC REQUIREMENTS

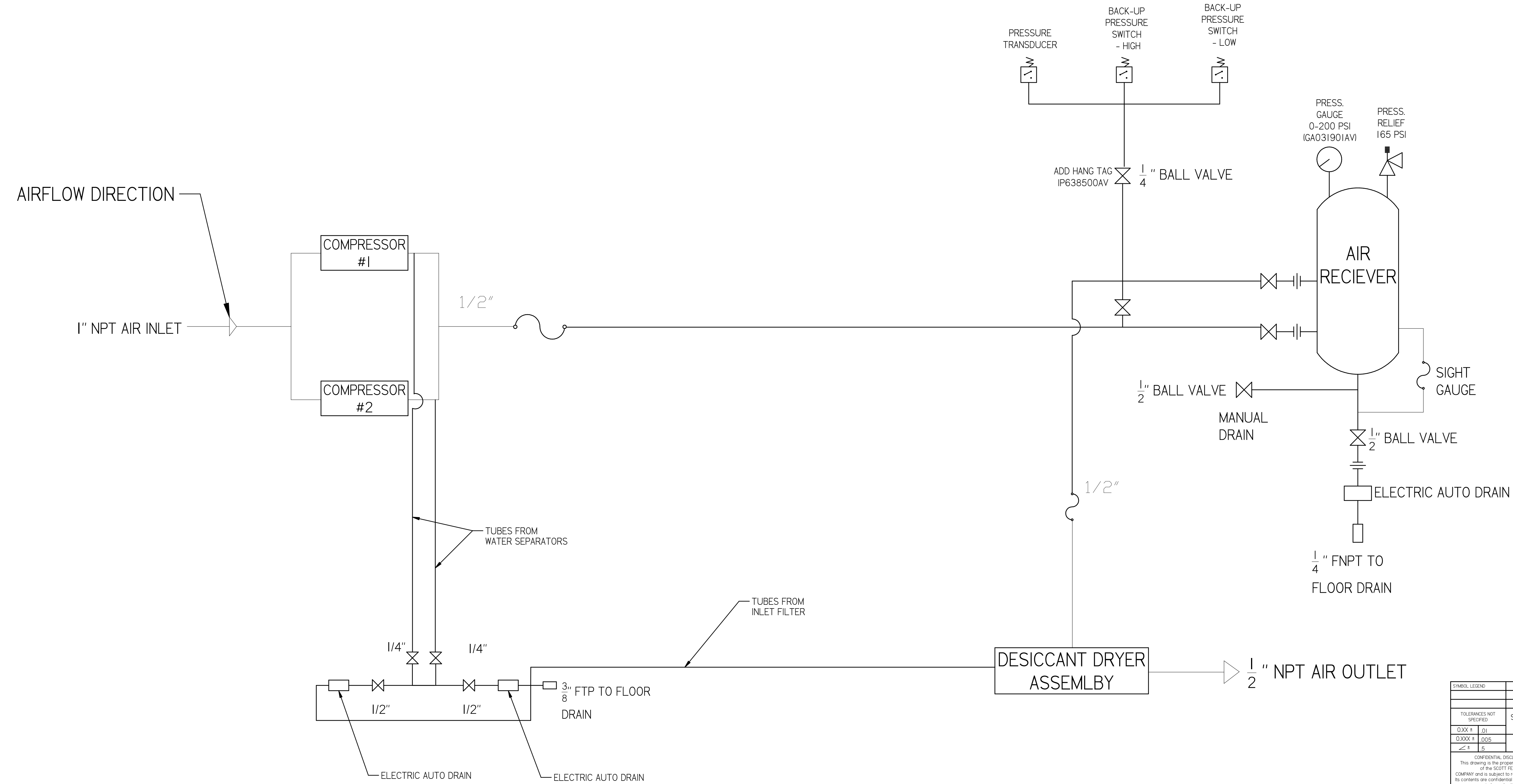
SYMBOL LEGEND		DRAWINGS TO CONFORM TO CURRENT REVISION OF THE FOLLOWING ANSI STANDARDS:		
TOLERANCES NOT SPECIFIED	SOLID EDGE DRAWING	Y14.3 MULTI AND SECTIONAL VIEW DIMS	Y14.5 DIMENSIONING AND TOLERANCING	
0.XXX ± .01	DRAWING	DO NOT SCALE DRAWING FOR DIMENSIONS		
0.XXX ± .005		SHEET 1 OF 4	SCALE 1:10	
± .5	INCH			
CONFIDENTIAL DISCLOSURE: This drawing is the property of POWEREX of the SCOTT FETTER COMPANY and is subject to return on demand. Its contents are confidential and must not be copied or submitted to outside parties for use or examination.		AUTHOR	ORIGINATION DATE	APPROVALS ON FILE IN PLM
DRAWING NUMBER: 716321		ASoulek	10/31/2018	
MATERIAL: SEE PART DRAWINGS				
DESCRIPTION: LAB OPEN SCROLL SYSTEM 5 HP DUPLEX WITH 80 GALLON TANK		DRAWING NUMBER: LSD05A3	REVISION: B	SIZE: D

REVISION NOTES		
DESCRIPTION	ECN	PR/NOR
PRODUCTION RELEASE	PXECO169	N/A

LSD05A3

LAB OPEN SCROLL SYSTEM
5 HP DUPLEX WITH 80
GALLON TANK

SYSTEM FLOW DIAGRAM



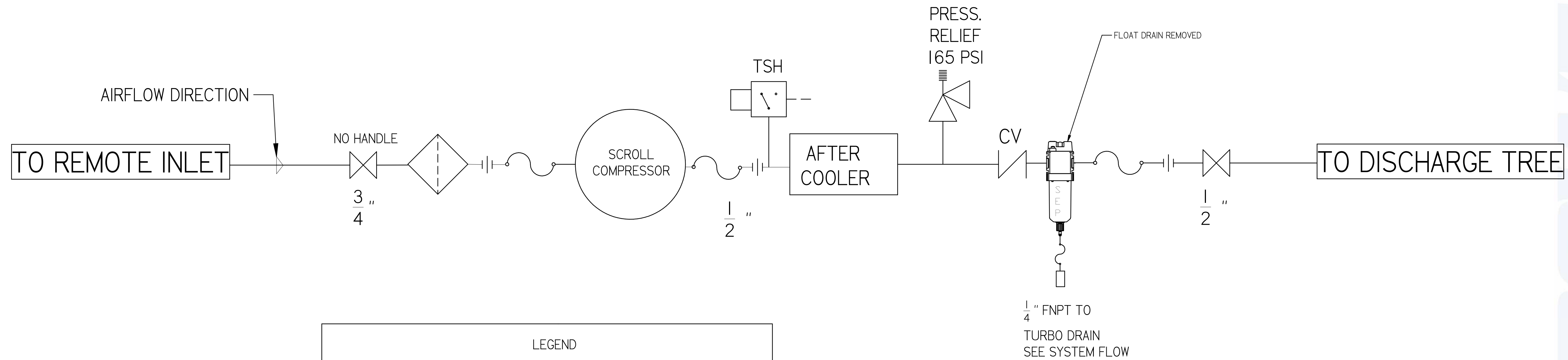
SYMBOL LEGEND		DRAWINGS TO CONFORM TO CURRENT REVISION OF THE FOLLOWING ANSI STANDARDS:	
		Y14.3 MULTI-VIEW AND SECTIONAL VIEW DIMS	
		Y14.5 DIMENSIONING AND TOLERANCING	
TOLERANCES NOT SPECIFIED	SOLID EDGE DRAWING	DO NOT SCALE DRAWING FOR DIMENSIONS	
0.001 ± .01	INCH	SHEET 2 OF 4	SCALE 1:1
0.005 ± .005			
± .5			
<small>CONFIDENTIAL DISCLOSURE</small> This drawing is the property of POWEREX of the SCOTT FETTER COMPANY and is subject to return on demand. Its contents are confidential and must not be copied or submitted to outside parties for use or examination.		AUTHOR	APPROVALS ON FILE IN PLM
<small>FROM:</small> 716321		ASoulek	10/31/2018
<small>MATERIAL:</small> SEE PART DRAWINGS			
<small>DESCRIPTION:</small> LAB OPEN SCROLL SYSTEM 5 HP DUPLEX WITH 80 GALLON TANK		<small>DRAWING NUMBER:</small> LSD05A3	<small>REVISION:</small> B
			<small>SIZE:</small> D



REVISION NOTES		
DESCRIPTION	ECN	PR/NOR
PRODUCTION RELEASE	PXECO169	N/A

LSD05A3

LAB OPEN SCROLL SYSTEM
5 HP DUPLEX WITH 80
GALLON TANK
LAB COMPRESSOR
FLOW DIAGRAM



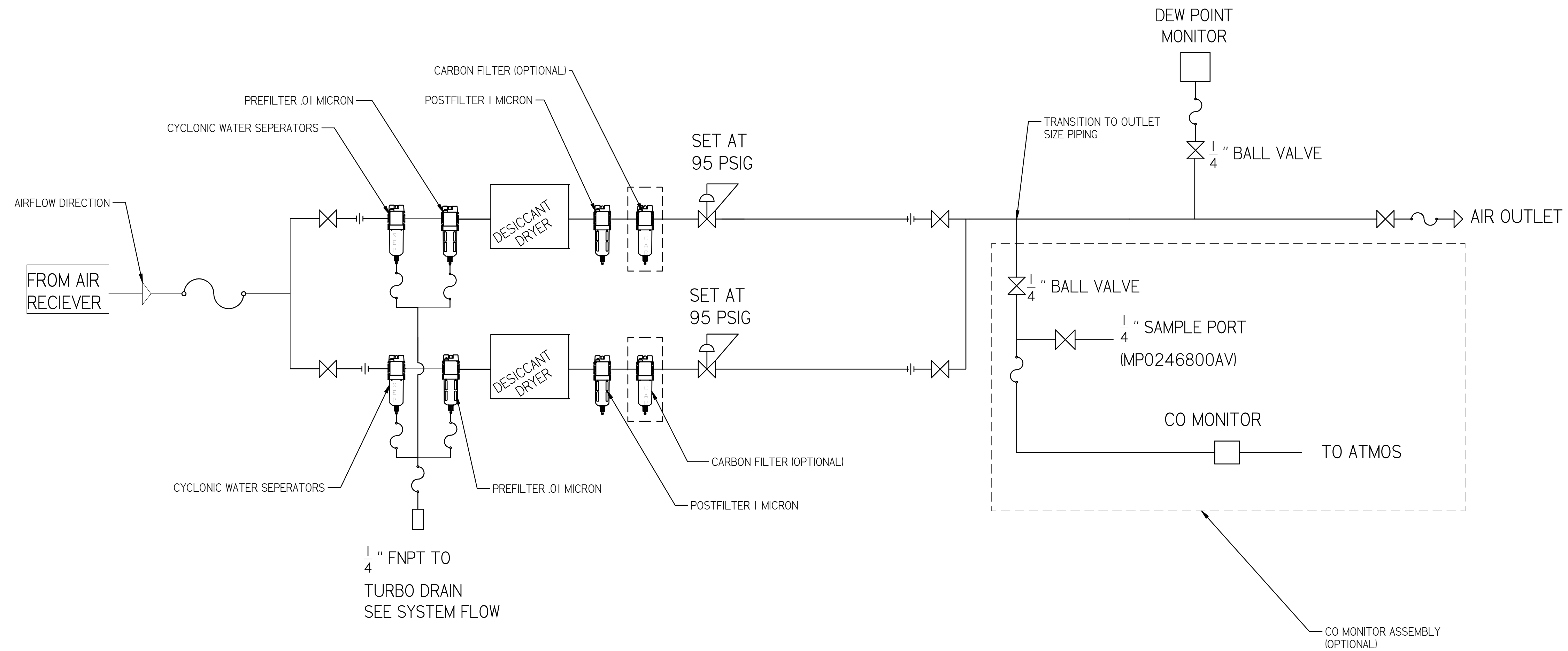
LEGEND	
	RELIEF VALVE
	INTAKE FILTER
	AIR FILTER
	3 WAY VALVE
	CARBON FILTER
	BALL VALVE
	PRESSURE SWITCH
	REGULATOR
	SEPARATOR
	CHECK VALVE
	FLEX LINE
	TSH HIGH TEMP SWITCH

SYMBOL LEGEND		DRAWINGS TO CONFORM TO CURRENT REVISION OF THE FOLLOWING ANSI STANDARDS:	
TOLERANCES NOT SPECIFIED:		1:4:3 MULTI AND SECTIONAL VIEW DIMS	
0.001 ± .01		1:4:3 DIMENSIONING AND TOLERANCING	
0.005 ± .005		SHEET 3 OF 4	
1/16 ± .005		SCALE 1:1	
CONFIDENTIAL DISCLOSURE This drawing is the property of POWEREX of the SCOTT FETTER COMPANY and is subject to return on demand. Its contents are confidential and must not be copied or submitted to outside parties for use or examination.		AUTHOR	APPROVALS ON FILE IN PLM
716321		ASoulek	10/31/2018
MATERIAL: SEE PART DRAWINGS			
DESCRIPTION: LAB OPEN SCROLL SYSTEM 5 HP DUPLEX WITH 80 GALLON TANK		DRAWING NUMBER LSD05A3	REVISION B D

REVISION NOTES		
DESCRIPTION	ECN	PR/NOR
PRODUCTION RELEASE	PXECO169	N/A

LSD05A3

LAB OPEN SCROLL SYSTEM
5 HP DUPLEX WITH 80
GALLON TANK
LAB DRYER
FLOW DIAGRAM



PIPE SIZE CHART		
PUMP COUNT	DRYER PLUMBING SIZE	OUTLET PIPE SIZE
2	1/2"	1/2"
3	1/2"	1"
4	1/2"	1"
6	1"	1-1/2"
8	1"	1-1/2"
9	1"	1-1/2"
12	1-1/2"	2"
15	1-1/2"	2"
18	1-1/2"	2"

SYMBOL LEGEND		DRAWINGS TO CONFORM TO CURRENT REVISION OF THE FOLLOWING ANSI STANDARDS: Y14.3 MULTI AND SECTIONAL VIEW DIMS Y14.5 DIMENSIONING AND TOLERANCING	
TOLERANCES NOT SPECIFIED	SOLID EDGE DRAWING	DO NOT SCALE DRAWING FOR DIMENSIONS	
0.001 ± .01		SHEET 4 OF 4	SCALE 1:1
0.005 ± .005	INCH	APPROVALS ON FILE IN PLM	
0.010 ± .010	INCH	A Soulek	10/31/2018
<small>CONFIDENTIAL DISCLOSURE</small> This drawing is the property of POWEREX or the SCOTT FETTER COMPANY and is subject to return on demand. Its contents are confidential and must not be copied or submitted to outside parties for use or examination.			
TITLE: 716321 MATERIAL: SEE PART DRAWINGS		DRAWING NUMBER: LSD05A3 REVISION: B SIZE: D	
DESCRIPTION: LAB OPEN SCROLL SYSTEM 5 HP DUPLEX WITH 80 GALLON TANK		150 PRODUCTION DRIVE, HARRISON OH 45030 888-768-7079	