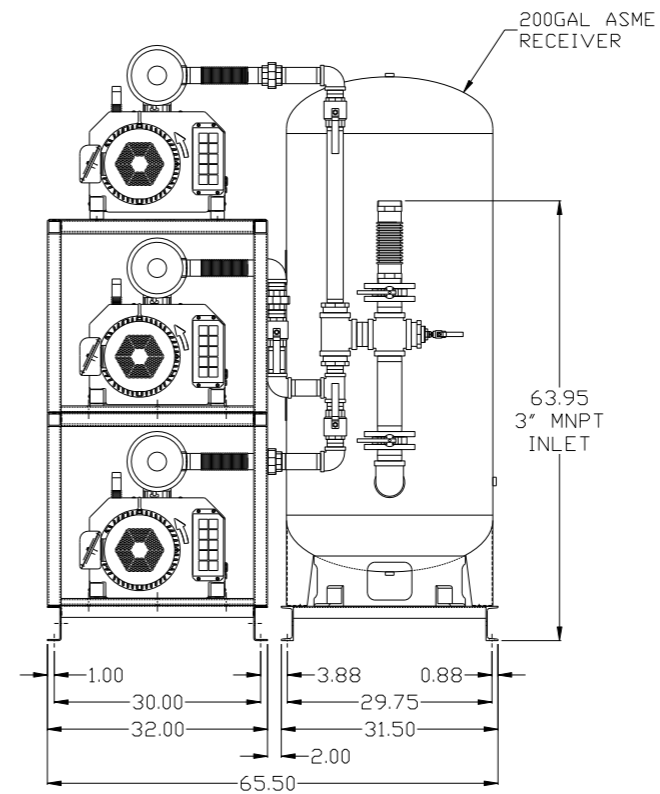
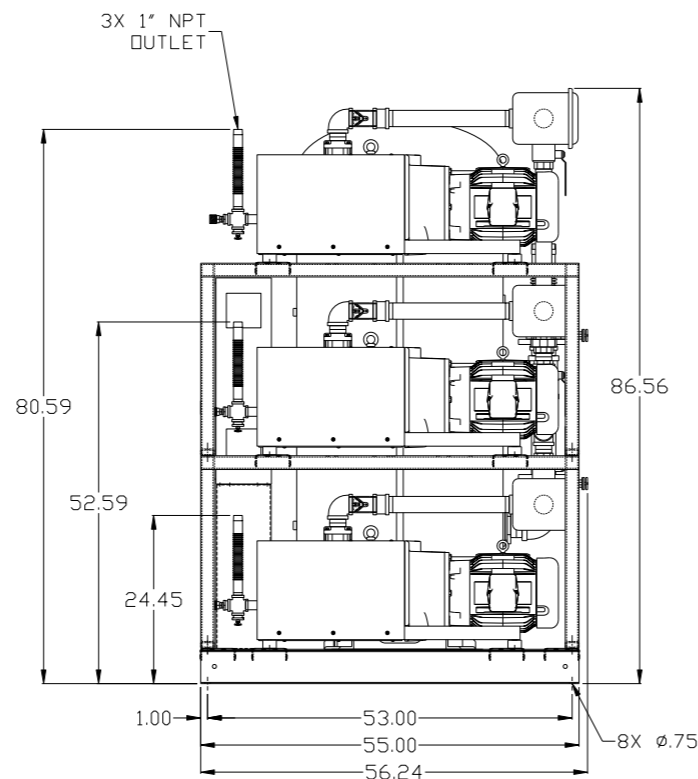
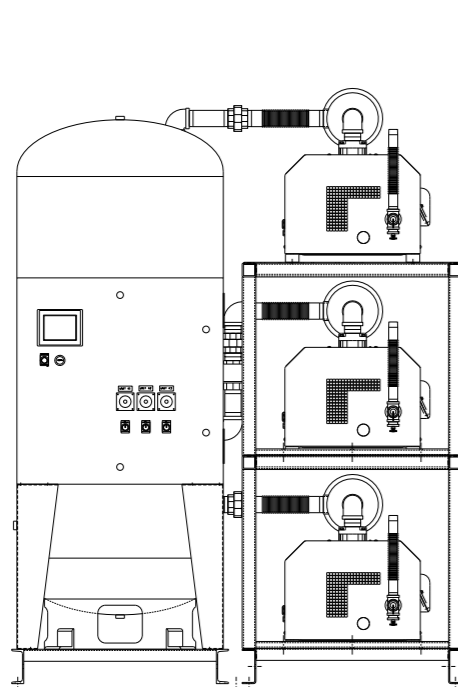
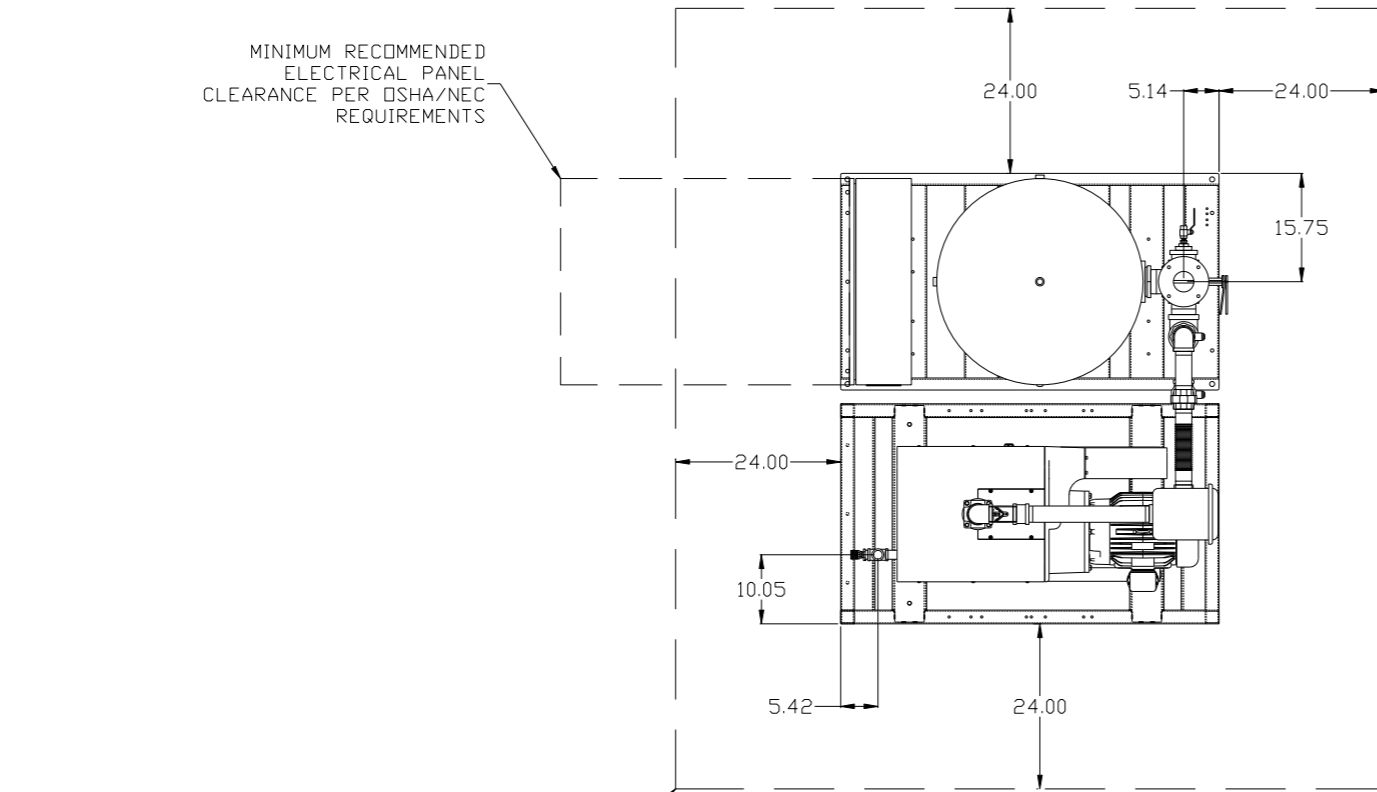


REV	ZONE	REVISION	DATE	ECN	NAME	CHKD
F-1	ALL	ADDED P&MI SHEETS MADE HIGH TEMP STANDARD ON BASIC CONTROLS	4/23/14	PXEC0067	AEK	GES
G-1	ALL	UPDATED TO PUMP WITH NEMA RATED MOTOR ADDED DSP LAYOUT SHEETS	8/17/16	PXEC0139	AEK	GES

MINIMUM RECOMMENDED  
ELECTRICAL PANEL  
CLEARANCE PER OSHA/NEC  
REQUIREMENTS

MINIMUM RECOMMENDED  
MAINTENANCE CLEARANCE



NOTE: SYSTEM DESIGNED IN  
COMPLIANCE WITH U.S. NFPA '99,  
LATEST EDITION.

SYMBOL LEGEND		= ADDITIONAL CONTROL REQ'D		Drawings to conform to the current revision of the following ANSI standards:	
⊖	MINUS DRAFT	⊕	PLUS DRAFT	⊖	Y14.3 Multi and sectional view dsgs.
⊕	PLUS DRAFT	⊖	MINUS DRAFT	⊖	Y14.5M Dimensioning and tolerancing
⊖	MINUS DRAFT	⊕	PLUS DRAFT	⊖	Y14.7M Surface texture
⊕	PLUS DRAFT	⊖	MINUS DRAFT	⊖	Y14.8M Hole dimensioning and tolerancing
⊖	MINUS DRAFT	⊕	PLUS DRAFT	⊖	Y14.9M Hole position tolerancing
⊕	PLUS DRAFT	⊖	MINUS DRAFT	⊖	Y14.10M Hole circular runout
⊖	MINUS DRAFT	⊕	PLUS DRAFT	⊖	Y14.11M Hole profile runout
⊕	PLUS DRAFT	⊖	MINUS DRAFT	⊖	Y14.12M Hole circular form
⊖	MINUS DRAFT	⊕	PLUS DRAFT	⊖	Y14.13M Hole profile form
⊕	PLUS DRAFT	⊖	MINUS DRAFT	⊖	Y14.14M Hole circular position
⊖	MINUS DRAFT	⊕	PLUS DRAFT	⊖	Y14.15M Hole profile position
⊕	PLUS DRAFT	⊖	MINUS DRAFT	⊖	Y14.16M Hole circular runout
⊖	MINUS DRAFT	⊕	PLUS DRAFT	⊖	Y14.17M Hole profile runout
⊕	PLUS DRAFT	⊖	MINUS DRAFT	⊖	Y14.18M Hole circular form
⊖	MINUS DRAFT	⊕	PLUS DRAFT	⊖	Y14.19M Hole profile form
⊕	PLUS DRAFT	⊖	MINUS DRAFT	⊖	Y14.20M Hole circular position
⊖	MINUS DRAFT	⊕	PLUS DRAFT	⊖	Y14.21M Hole profile position
⊕	PLUS DRAFT	⊖	MINUS DRAFT	⊖	Y14.22M Hole circular runout
⊖	MINUS DRAFT	⊕	PLUS DRAFT	⊖	Y14.23M Hole profile runout
⊕	PLUS DRAFT	⊖	MINUS DRAFT	⊖	Y14.24M Hole circular form
⊖	MINUS DRAFT	⊕	PLUS DRAFT	⊖	Y14.25M Hole profile form
⊕	PLUS DRAFT	⊖	MINUS DRAFT	⊖	Y14.26M Hole circular position
⊖	MINUS DRAFT	⊕	PLUS DRAFT	⊖	Y14.27M Hole profile position
⊕	PLUS DRAFT	⊖	MINUS DRAFT	⊖	Y14.28M Hole circular runout
⊖	MINUS DRAFT	⊕	PLUS DRAFT	⊖	Y14.29M Hole profile runout
⊕	PLUS DRAFT	⊖	MINUS DRAFT	⊖	Y14.30M Hole circular form
⊖	MINUS DRAFT	⊕	PLUS DRAFT	⊖	Y14.31M Hole profile form
⊕	PLUS DRAFT	⊖	MINUS DRAFT	⊖	Y14.32M Hole circular position
⊖	MINUS DRAFT	⊕	PLUS DRAFT	⊖	Y14.33M Hole profile position
⊕	PLUS DRAFT	⊖	MINUS DRAFT	⊖	Y14.34M Hole circular runout
⊖	MINUS DRAFT	⊕	PLUS DRAFT	⊖	Y14.35M Hole profile runout
⊕	PLUS DRAFT	⊖	MINUS DRAFT	⊖	Y14.36M Hole circular form
⊖	MINUS DRAFT	⊕	PLUS DRAFT	⊖	Y14.37M Hole profile form
⊕	PLUS DRAFT	⊖	MINUS DRAFT	⊖	Y14.38M Hole circular position
⊖	MINUS DRAFT	⊕	PLUS DRAFT	⊖	Y14.39M Hole profile position
⊕	PLUS DRAFT	⊖	MINUS DRAFT	⊖	Y14.40M Hole circular runout
⊖	MINUS DRAFT	⊕	PLUS DRAFT	⊖	Y14.41M Hole profile runout
⊕	PLUS DRAFT	⊖	MINUS DRAFT	⊖	Y14.42M Hole circular form
⊖	MINUS DRAFT	⊕	PLUS DRAFT	⊖	Y14.43M Hole profile form
⊕	PLUS DRAFT	⊖	MINUS DRAFT	⊖	Y14.44M Hole circular position
⊖	MINUS DRAFT	⊕	PLUS DRAFT	⊖	Y14.45M Hole profile position
⊕	PLUS DRAFT	⊖	MINUS DRAFT	⊖	Y14.46M Hole circular runout
⊖	MINUS DRAFT	⊕	PLUS DRAFT	⊖	Y14.47M Hole profile runout
⊕	PLUS DRAFT	⊖	MINUS DRAFT	⊖	Y14.48M Hole circular form
⊖	MINUS DRAFT	⊕	PLUS DRAFT	⊖	Y14.49M Hole profile form
⊕	PLUS DRAFT	⊖	MINUS DRAFT	⊖	Y14.50M Hole circular position
⊖	MINUS DRAFT	⊕	PLUS DRAFT	⊖	Y14.51M Hole profile position
⊕	PLUS DRAFT	⊖	MINUS DRAFT	⊖	Y14.52M Hole circular runout
⊖	MINUS DRAFT	⊕	PLUS DRAFT	⊖	Y14.53M Hole profile runout
⊕	PLUS DRAFT	⊖	MINUS DRAFT	⊖	Y14.54M Hole circular form
⊖	MINUS DRAFT	⊕	PLUS DRAFT	⊖	Y14.55M Hole profile form
⊕	PLUS DRAFT	⊖	MINUS DRAFT	⊖	Y14.56M Hole circular position
⊖	MINUS DRAFT	⊕	PLUS DRAFT	⊖	Y14.57M Hole profile position
⊕	PLUS DRAFT	⊖	MINUS DRAFT	⊖	Y14.58M Hole circular runout
⊖	MINUS DRAFT	⊕	PLUS DRAFT	⊖	Y14.59M Hole profile runout
⊕	PLUS DRAFT	⊖	MINUS DRAFT	⊖	Y14.60M Hole circular form
⊖	MINUS DRAFT	⊕	PLUS DRAFT	⊖	Y14.61M Hole profile form
⊕	PLUS DRAFT	⊖	MINUS DRAFT	⊖	Y14.62M Hole circular position
⊖	MINUS DRAFT	⊕	PLUS DRAFT	⊖	Y14.63M Hole profile position
⊕	PLUS DRAFT	⊖	MINUS DRAFT	⊖	Y14.64M Hole circular runout
⊖	MINUS DRAFT	⊕	PLUS DRAFT	⊖	Y14.65M Hole profile runout
⊕	PLUS DRAFT	⊖	MINUS DRAFT	⊖	Y14.66M Hole circular form
⊖	MINUS DRAFT	⊕	PLUS DRAFT	⊖	Y14.67M Hole profile form
⊕	PLUS DRAFT	⊖	MINUS DRAFT	⊖	Y14.68M Hole circular position
⊖	MINUS DRAFT	⊕	PLUS DRAFT	⊖	Y14.69M Hole profile position
⊕	PLUS DRAFT	⊖	MINUS DRAFT	⊖	Y14.70M Hole circular runout
⊖	MINUS DRAFT	⊕	PLUS DRAFT	⊖	Y14.71M Hole profile runout
⊕	PLUS DRAFT	⊖	MINUS DRAFT	⊖	Y14.72M Hole circular form
⊖	MINUS DRAFT	⊕	PLUS DRAFT	⊖	Y14.73M Hole profile form
⊕	PLUS DRAFT	⊖	MINUS DRAFT	⊖	Y14.74M Hole circular position
⊖	MINUS DRAFT	⊕	PLUS DRAFT	⊖	Y14.75M Hole profile position
⊕	PLUS DRAFT	⊖	MINUS DRAFT	⊖	Y14.76M Hole circular runout
⊖	MINUS DRAFT	⊕	PLUS DRAFT	⊖	Y14.77M Hole profile runout
⊕	PLUS DRAFT	⊖	MINUS DRAFT	⊖	Y14.78M Hole circular form
⊖	MINUS DRAFT	⊕	PLUS DRAFT	⊖	Y14.79M Hole profile form
⊕	PLUS DRAFT	⊖	MINUS DRAFT	⊖	Y14.80M Hole circular position
⊖	MINUS DRAFT	⊕	PLUS DRAFT	⊖	Y14.81M Hole profile position
⊕	PLUS DRAFT	⊖	MINUS DRAFT	⊖	Y14.82M Hole circular runout
⊖	MINUS DRAFT	⊕	PLUS DRAFT	⊖	Y14.83M Hole profile runout
⊕	PLUS DRAFT	⊖	MINUS DRAFT	⊖	Y14.84M Hole circular form
⊖	MINUS DRAFT	⊕	PLUS DRAFT	⊖	Y14.85M Hole profile form
⊕	PLUS DRAFT	⊖	MINUS DRAFT	⊖	Y14.86M Hole circular position
⊖	MINUS DRAFT	⊕	PLUS DRAFT	⊖	Y14.87M Hole profile position
⊕	PLUS DRAFT	⊖	MINUS DRAFT	⊖	Y14.88M Hole circular runout
⊖	MINUS DRAFT	⊕	PLUS DRAFT	⊖	Y14.89M Hole profile runout
⊕	PLUS DRAFT	⊖	MINUS DRAFT	⊖	Y14.90M Hole circular form
⊖	MINUS DRAFT	⊕	PLUS DRAFT	⊖	Y14.91M Hole profile form
⊕	PLUS DRAFT	⊖	MINUS DRAFT	⊖	Y14.92M Hole circular position
⊖	MINUS DRAFT	⊕	PLUS DRAFT	⊖	Y14.93M Hole profile position
⊕	PLUS DRAFT	⊖	MINUS DRAFT	⊖	Y14.94M Hole circular runout
⊖	MINUS DRAFT	⊕	PLUS DRAFT	⊖	Y14.95M Hole profile runout
⊕	PLUS DRAFT	⊖	MINUS DRAFT	⊖	Y14.96M Hole circular form
⊖	MINUS DRAFT	⊕	PLUS DRAFT	⊖	Y14.97M Hole profile form
⊕	PLUS DRAFT	⊖	MINUS DRAFT	⊖	Y14.98M Hole circular position
⊖	MINUS DRAFT	⊕	PLUS DRAFT	⊖	Y14.99M Hole profile position
⊕	PLUS DRAFT	⊖	MINUS DRAFT	⊖	Y14.100M Hole circular runout

TOLERANCES NOT SPECIFIED  
.XX ±  
.XXX ±  
<<DEG> ±

CONFIDENTIAL DISCLOSURE  
This drawing is the property of  
POWEREX, INC. of the SCOTT  
FEITZER COMPANY  
and subject to return on demand. Its  
contents are confidential and must not be  
copied or submitted to outside parties for  
use or examination.

PART NAME  
7.5HP CLAW VACUUM  
200GAL TRIPLEX

DWG NO  
CVPT0755B

SIZE  
D

SCALE  
1:14

DO NOT SCALE DRAWING FOR DIMENSIONS  
Sheet 1 of 3

DRAWN BY  
AEK

CHECKED BY  
GES

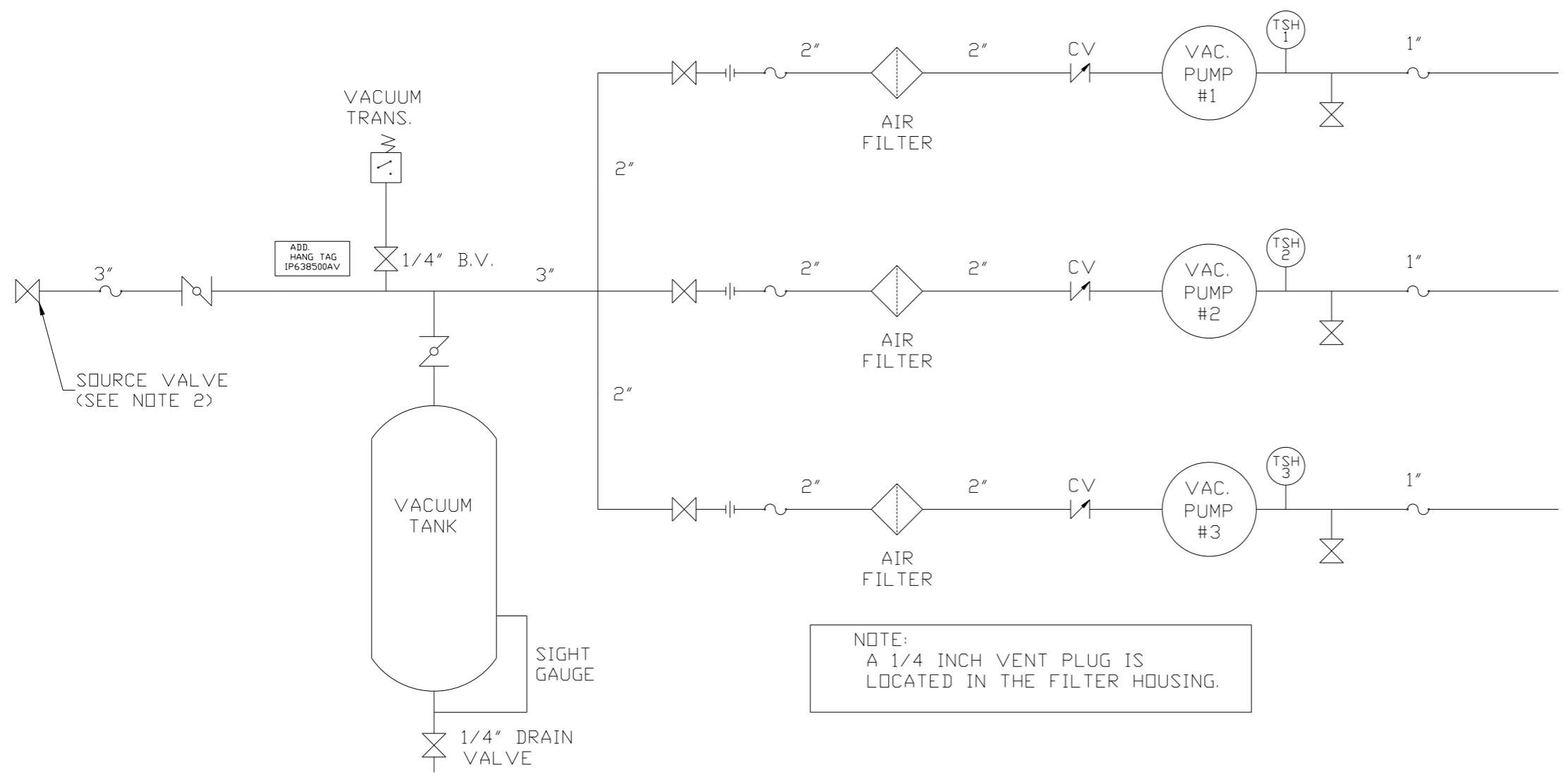
APPROVED BY  
ENGINEERING MFG/MKTG  
DMS DFG

4/23/14 4/23/14 4/23/14 4/23/14

MATERIAL  
N/A

150 PRODUCTION DRIVE, HARRISON, OHIO 45030  
Ph: 888-769-7979 FAX: (513) 367-3125

REV	ZONE	REVISION	DATE	ECN	NAME	CHKD
F-1	ALL	ADDED P&MI SHEETS MADE HIGH TEMP STANDARD ON BASIC CONTROLS	4/23/14	PXEC0067	AEK	GES
G-1	ALL	UPDATED TO PUMP WITH NEMA RATED MOTOR ADDED DSP LAYOUT SHEETS	8/17/16	PXEC0139	AEK	GES



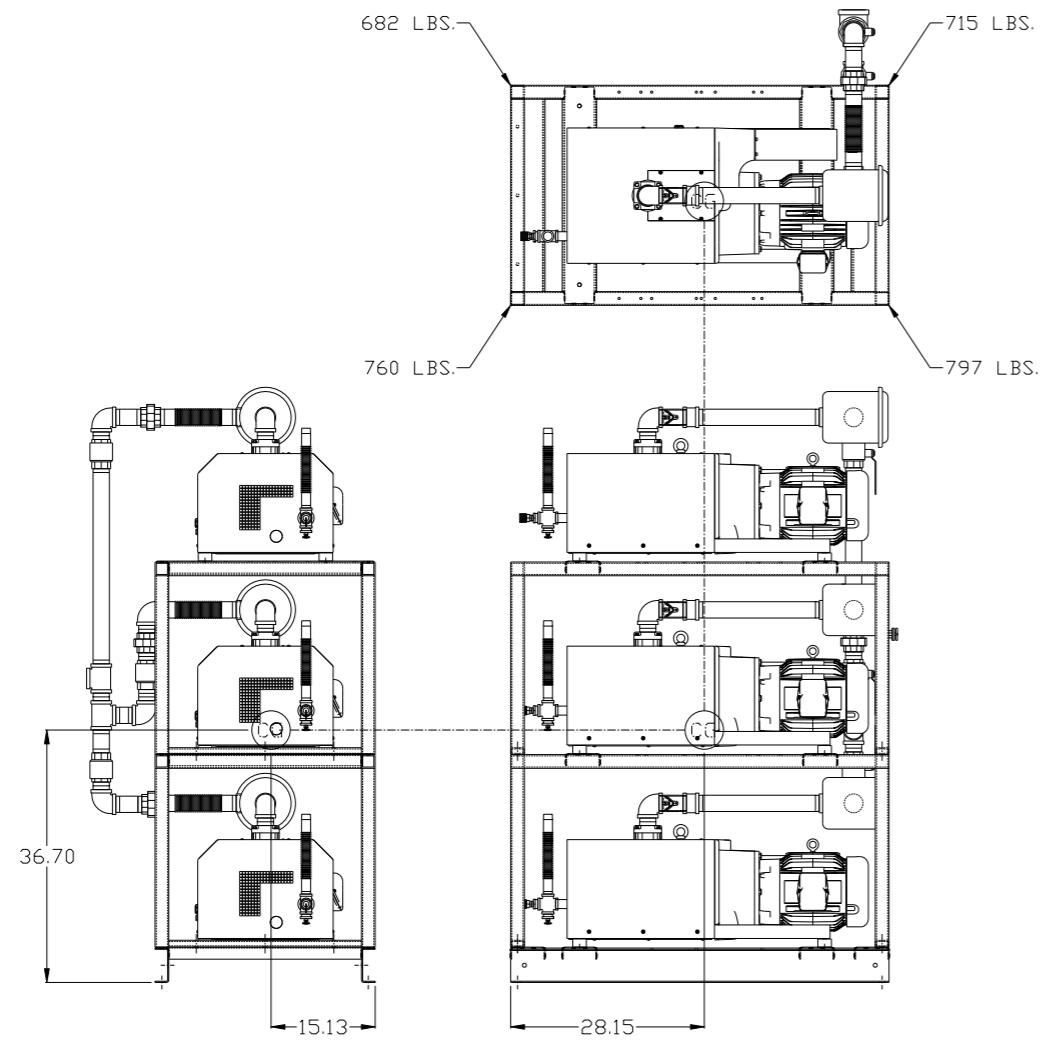
NOTE:  
A 1/4 INCH VENT PLUG IS  
LOCATED IN THE FILTER HOUSING.

LEGEND	
TEMP. SWITCH	VACUUM SWITCH
AIR FILTER	CHECK VALVE
BALL VALVE	FLEX LINE
BUTTERFLY VALVE	UNION

NOTES:  
1) TSH - TEMPERATURE SWITCH HIGH  
2) PER NFPA THE SYSTEM WILL REQUIRE A SOURCE VALVE (SUPPLIED BY OTHERS).

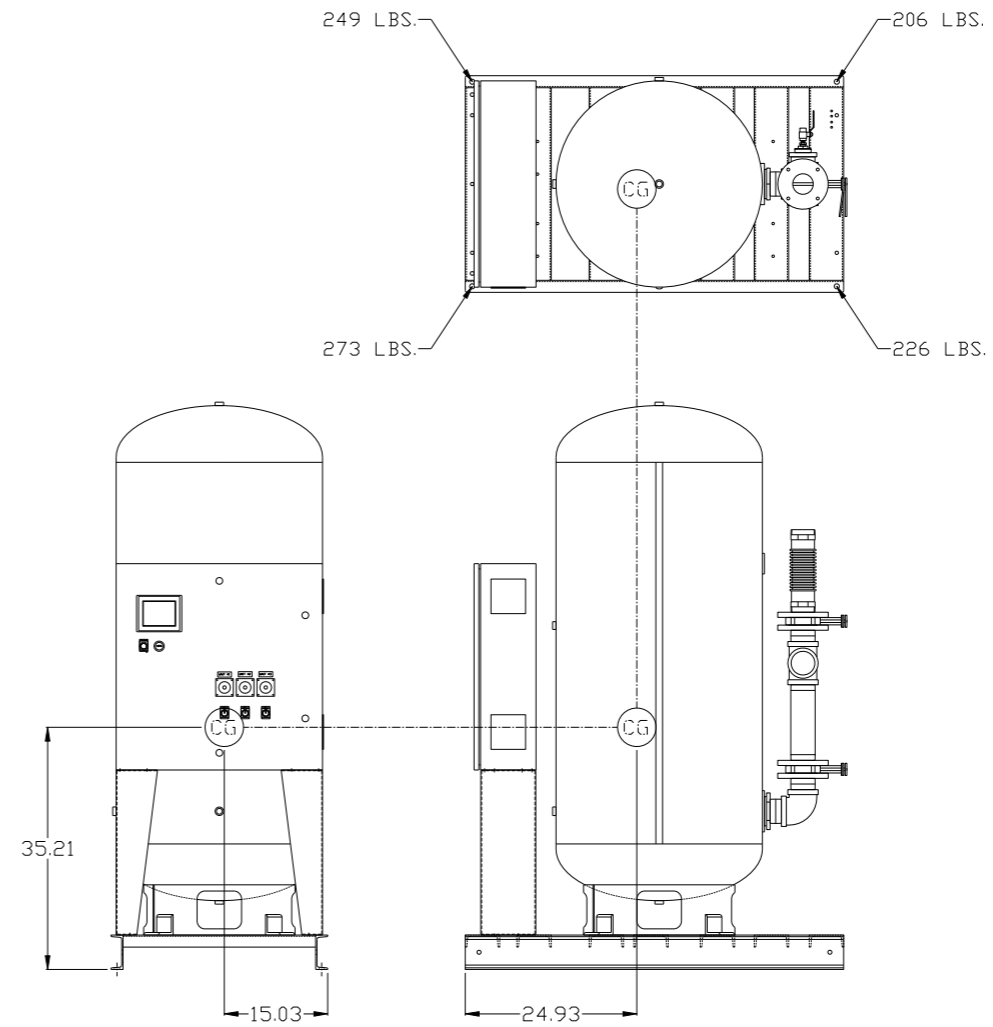
SYMBOL LEGEND		= ADDITIONAL CONTROL REQ'D		Drawings to conform to the current revision of the following ANSI standards	
⊖ = MINUS DRAFT		= BRINELL HARDNESS		Y14.3 Multi and sectional view dgs. Y14.5M Dimensioning and tolerancing	
⊕ = PLUS DRAFT					
TOLERANCES NOT SPECIFIED		AUTOCAD REL20014 LT		DO NOT SCALE DRAWING FOR DIMENSIONS	
.XX ±		INCH		Sheet 2 of 3	
.XXX ±				SCALE 1: 14	
<DEG> ±					
CONFIDENTIAL DISCLOSURE This drawing is the property of POWEREX, INC. of the SCOTT FETZER COMPANY and subject to return on demand. Its contents are confidential and must not be copied or submitted to outside parties for use or examination.					
DRAWN BY		CHECKED BY		APPROVED BY	
AEK		GES		DMS DFG	
4/23/14		4/23/14		4/23/14 4/23/14	
MATERIAL		N/A		POWEREX	
PART NAME		TRIPLEX CLAW VAC PKG		150 PRODUCTION DRIVE, HARRISON, OHIO 45030 Ph: 888-769-7979 FAX: (513) 367-3125	
FLOW SCHEMATIC		DWG NO		SIZE	
		CVPT0755B		D	

REV	ZONE	REVISION	DATE	ECN	NAME	CHKD
F-1	ALL	ADDED P&MI SHEETS MADE HIGH TEMP STANDARD ON BASIC CONTROLS	4/23/14	PXEC0067	AEK	GES
G-1	ALL	UPDATED TO PUMP WITH NEMA RATED MOTOR ADDED DSP LAYOUT SHEETS	8/17/16	PXEC0139	AEK	GES



PUMP SKID:

TOTAL WEIGHT: 2954 LBS  
 C.O.G. DIMENSIONS  
 X (FRONT): -15.13"  
 Y (RIGHT): 28.15"  
 Z (HEIGHT): 36.70"



PANEL/TANK SKID:

TOTAL WEIGHT: 954 LBS  
 C.O.G. DIMENSIONS  
 X (FRONT): -15.03"  
 Y (RIGHT): 24.93"  
 Z (HEIGHT): 35.21"

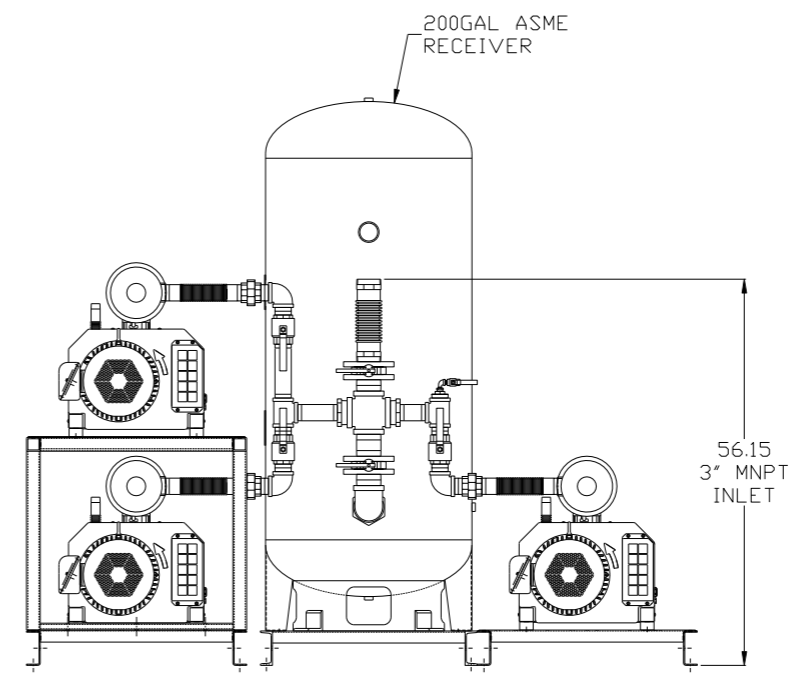
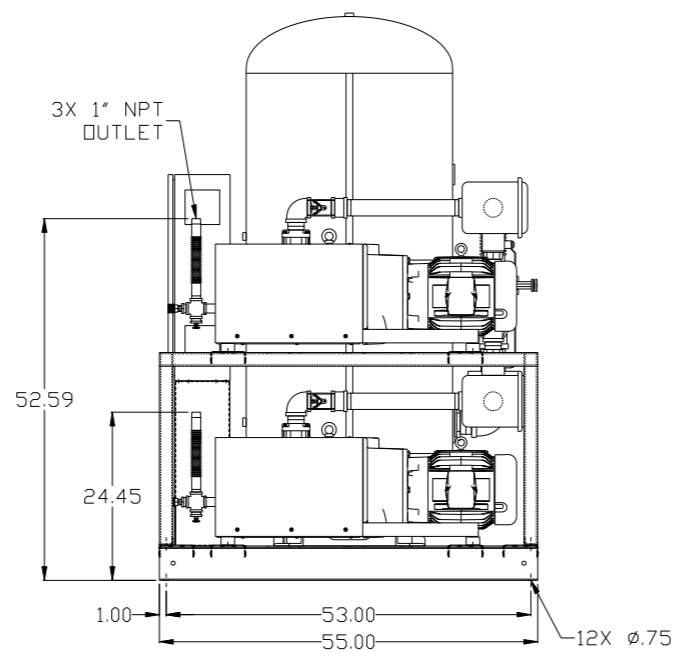
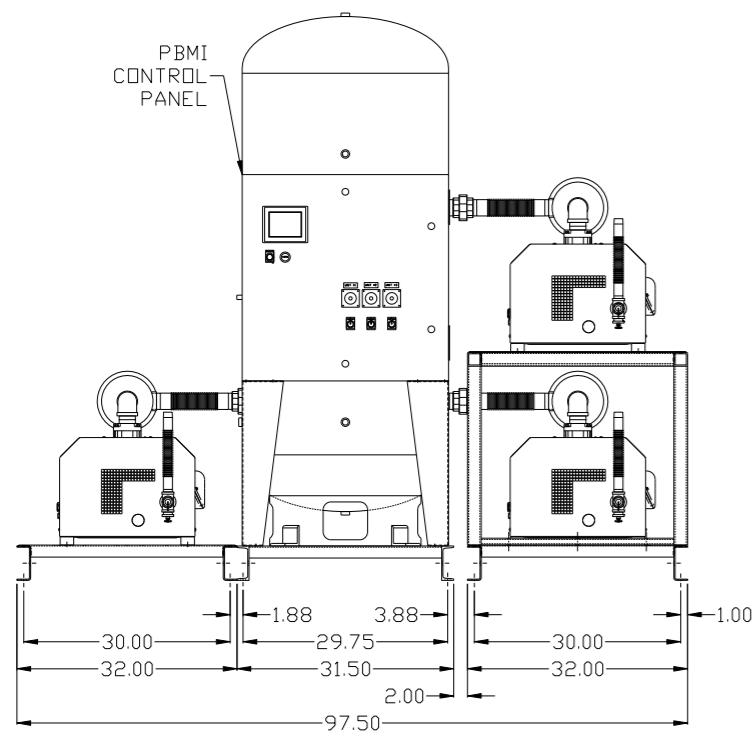
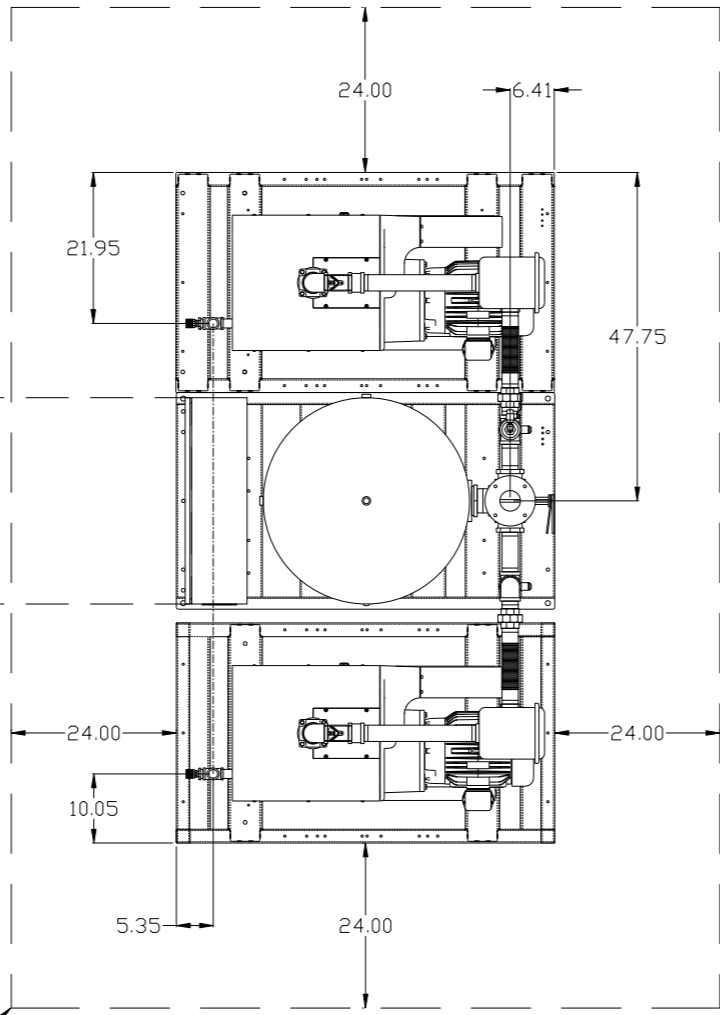
denotes center of gravity (CG)

<b>SYMBOL LEGEND</b> ⊖ = MINUS DRAFT ⊕ = PLUS DRAFT TOLERANCES NOT SPECIFIED .XX ± .XXX ± <<DEG> ±		= ADDITIONAL CONTROL REQ'D = BRINELL HARDNESS	Drawings to conform to the current revision of the following ANSI standards: Y14.3 Multi and sectional view dgs. Y14.5M Dimensioning and tolerancing
AUTOCAD REL2014 LT INCH		DO NOT SCALE DRAWING FOR DIMENSIONS Sheet 3 of 3 SCALE 1:14	
<b>CONFIDENTIAL DISCLOSURE</b> This drawing is the property of POWEREX, INC. of the SCOTT FETZER COMPANY and subject to return on demand. Its contents are confidential and must not be copied or submitted to outside parties for use or examination.			
DRAWN BY AEK	CHECKED BY GES	APPROVED BY DMS	MFG/MKTG DFG
4/23/14	4/23/14	4/23/14	4/23/14
MATERIAL N/A		<b>POWEREX</b> 150 PRODUCTION DRIVE, HARRISON, OHIO 45030 Ph: 888-769-7979 FAX: (513) 367-3125	
PART NAME 7.5HP CLAW VACUUM 200GAL TRIPLEX		DWG NO CVPT0755B	SIZE D

REV	ZONE	REVISION	DATE	ECN	NAME	CHKD
G-1	ALL	UPDATED TO PUMP WITH NEMA RATED MOTOR ADDED DSP LAYOUT SHEETS	8/17/16	PXEC0139	AEK	GES

MINIMUM RECOMMENDED  
ELECTRICAL PANEL  
CLEARANCE PER OSHA/NEC  
REQUIREMENTS

MINIMUM RECOMMENDED  
MAINTENANCE CLEARANCE

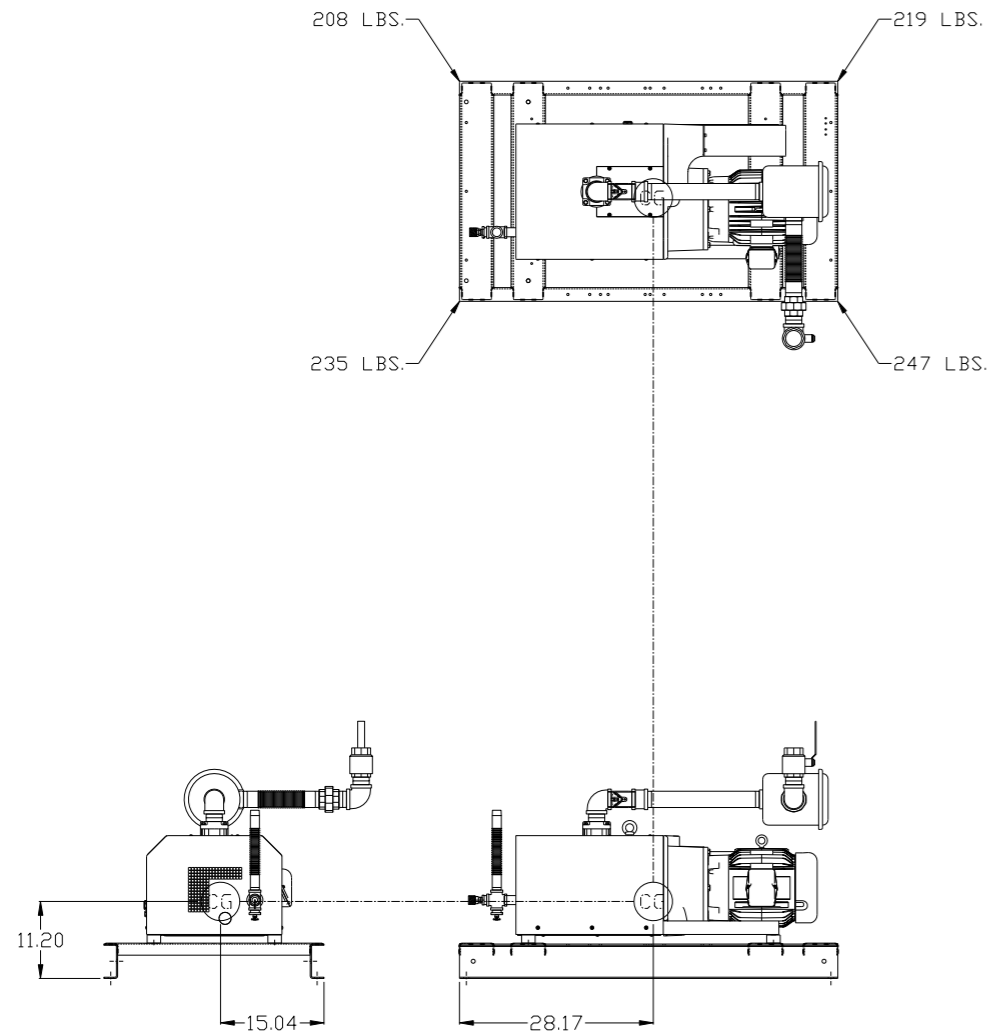


NOTE: SYSTEM DESIGNED IN  
COMPLIANCE WITH U.S. NFPA '99,  
LATEST EDITION.

<b>SYMBOL LEGEND</b> ⊖ = MINUS DRAFT ⊕ = PLUS DRAFT <math>\angle</math> (DEG) ±		= ADDITIONAL CONTROL REQ'D = BRINELL HARDNESS		Drawings to conform to the current revision of the following ANSI standards: Y14.3 Multi and sectional view dgs. Y14.5M Dimensioning and tolerancing
TOLERANCES NOT SPECIFIED .XX ± .XXX ± <math>\angle</math> (DEG) ±		AUTOCAD REL2014 LT INCH		DO NOT SCALE DRAWING FOR DIMENSIONS Sheet 1 of 4 SCALE 1:14
CONFIDENTIAL DISCLOSURE This drawing is the property of POWEREX, INC. of the SCOTT FEITZER COMPANY and subject to return on demand. Its contents are confidential and must not be copied or submitted to outside parties for use or examination.		DRAWN BY AEK	CHECKED BY GES	APPROVED BY ENGINEERING MFG/MKTG KMD RJR
MATERIAL N/A		8/17/16	8/17/16	8/17/16 8/17/16
PART NAME 7.5HP CLAW VACUUM 200GAL TRIPLEX		DWG NO CVPT0755B		SIZE D

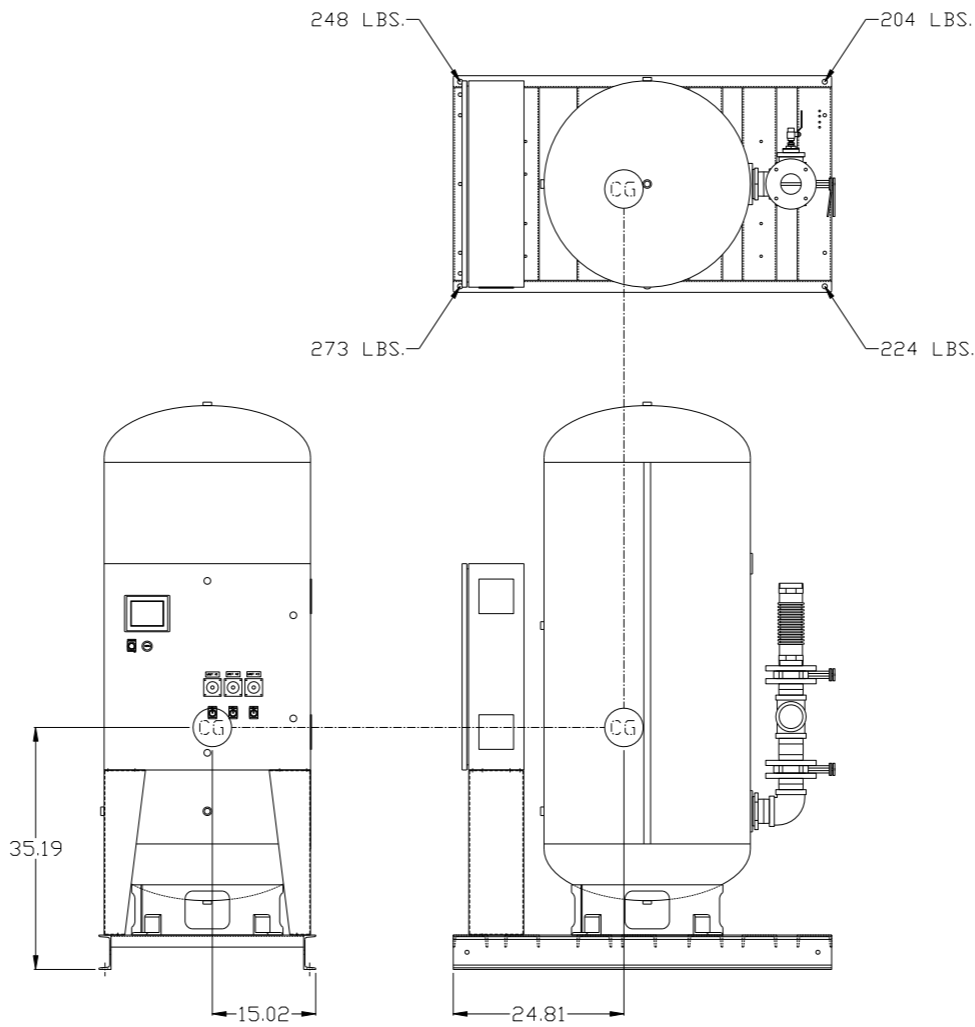
DSP LISTED LAYOUT

REV	ZONE	REVISION	DATE	ECN	NAME	CHKD
G-1	ALL	UPDATED TO PUMP WITH NEMA RATED MOTOR	8/17/16	PXEC0139	AEK	GES
	ALL	ADDED DSP LAYOUT SHEETS				



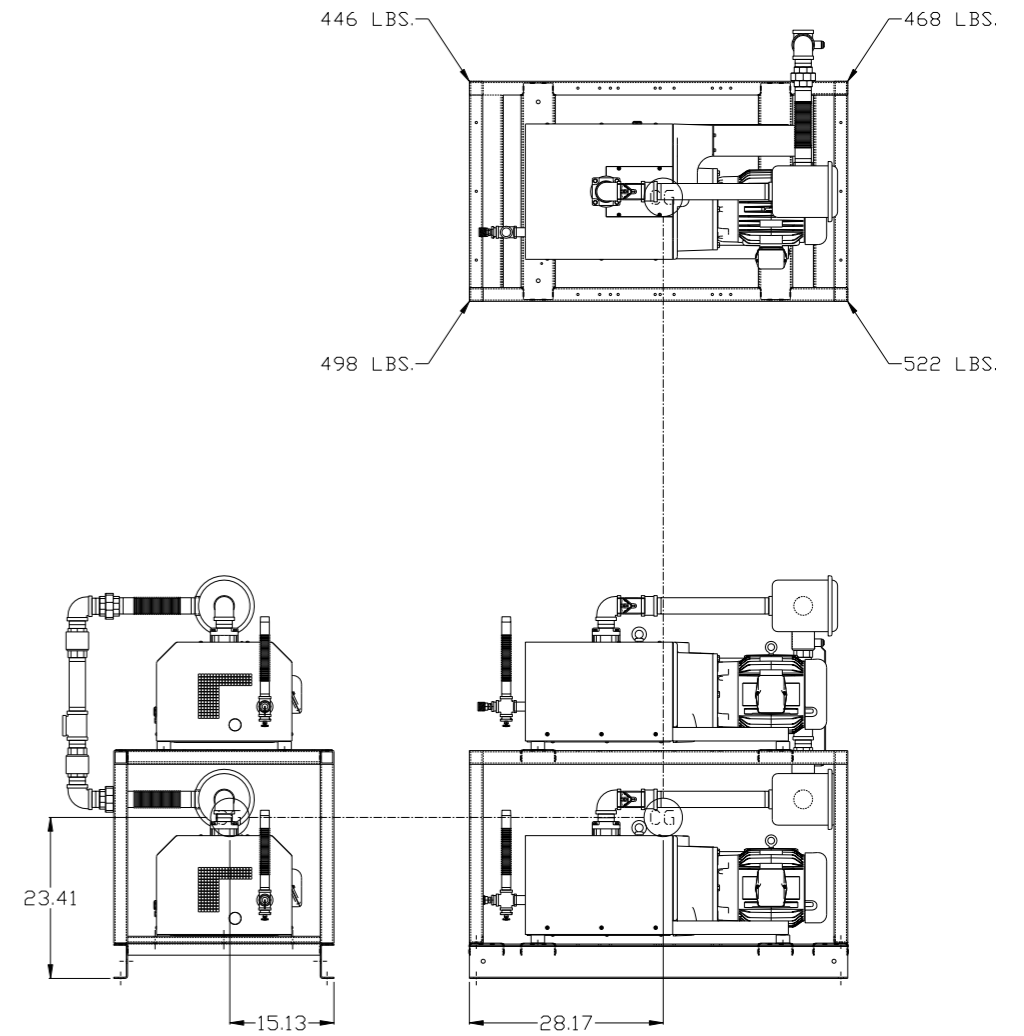
PUMP SKID #2:

TOTAL WEIGHT: 909 LBS  
 C.D.G. DIMENSIONS  
 X (FRONT): -15.04"  
 Y (RIGHT): 28.17"  
 Z (HEIGHT): 11.20"



PANEL/TANK SKID:

TOTAL WEIGHT: 949 LBS  
 C.D.G. DIMENSIONS  
 X (FRONT): -15.02"  
 Y (RIGHT): 24.81"  
 Z (HEIGHT): 35.19"



PUMP SKID #1:

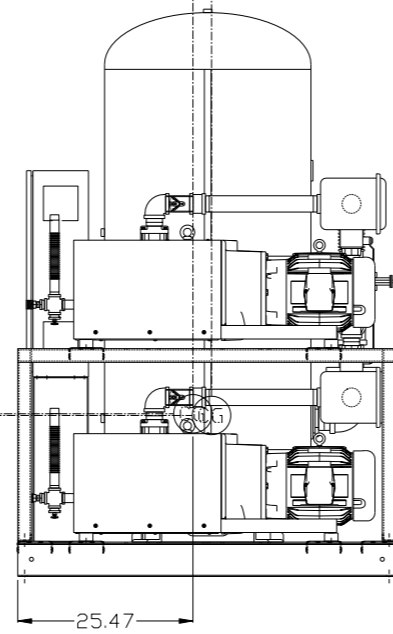
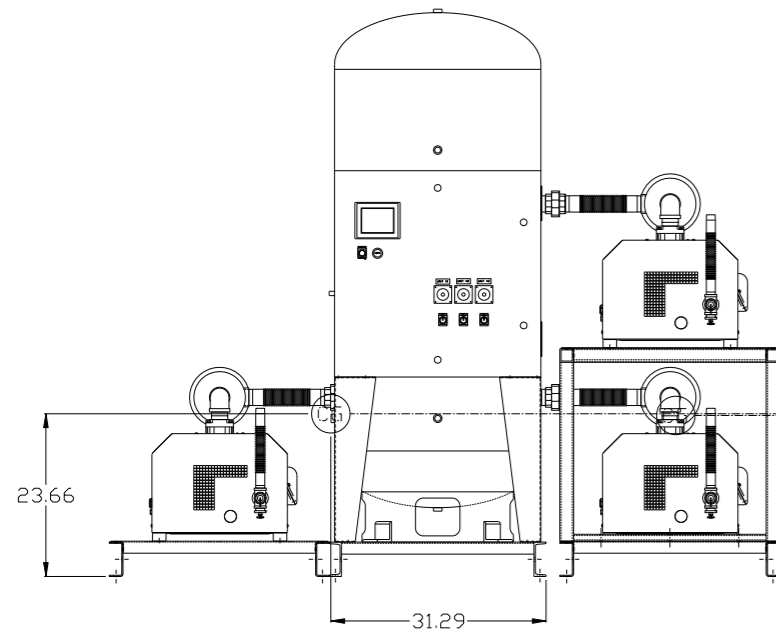
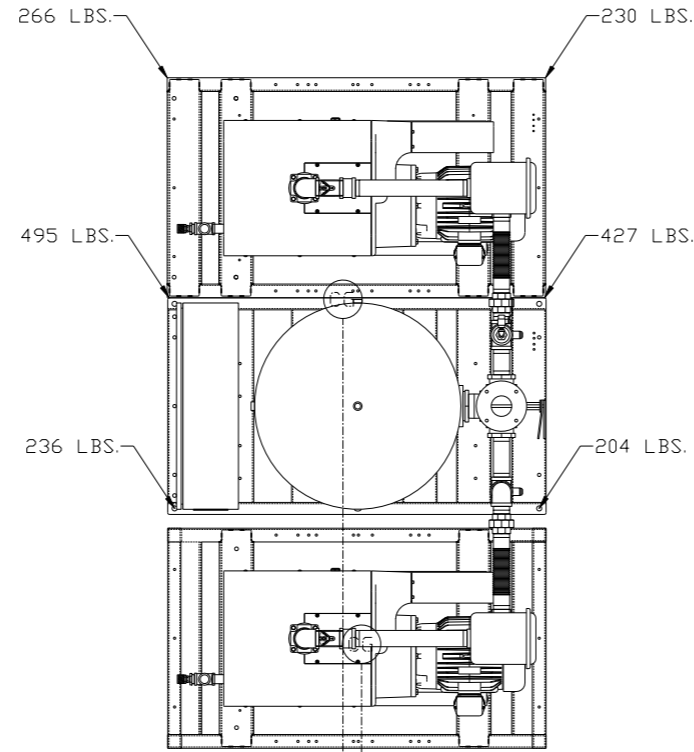
TOTAL WEIGHT: 1934 LBS  
 C.D.G. DIMENSIONS  
 X (FRONT): -15.13"  
 Y (RIGHT): 28.17"  
 Z (HEIGHT): 23.41"

denotes center of gravity (CG)

<b>SYMBOL LEGEND</b> ⊖ = MINUS DRAFT ⊕ = PLUS DRAFT HRC = BRINELL HARDNESS		= ADDITIONAL CONTROL REQ'D = BRINELL HARDNESS		Drawings to conform to the current revision of the following ANSI standards: Y14.3 Multi and sectional view dgs. Y14.5M Dimensioning and tolerancing
TOLERANCES NOT SPECIFIED .XX ± .XXX ± <math>\angle</math> (DEG) ±		AUTOCAD REL2014 LT INCH		DO NOT SCALE DRAWING FOR DIMENSIONS Sheet 3 of 4 SCALE 1:14
<b>CONFIDENTIAL DISCLOSURE</b> This drawing is the property of POWEREX, INC. of the SCOTT FETZER COMPANY and subject to return on demand. Its contents are confidential and must not be copied or submitted to outside parties for use or examination.				
DRAWN BY AEK		CHECKED BY GES		APPROVED BY ENGINEERING MFG/MKTG KMD RJR
MATERIAL N/A		8/17/16		8/17/16 8/17/16 8/17/16
PART NAME 7.5HP CLAW VACUUM 200GAL TRIPLEX		DWG NO CVPT0755B		SIZE D

8 7 6 5 4 3 2 1

REV	ZONE	REVISION	DATE	ECN	NAME	CHKD
G-1	ALL	UPDATED TO PUMP WITH NEMA RATED MOTOR	8/17/16	PXEC0139	AEK	GES
	ALL	ADDED DSP LAYOUT SHEETS				



PUMP SKID #2 - PANEL/TANK SKID:  
 (SEE SHEET 3 FOR PUMP SKID #1 C.O.G.)  
 TOTAL WEIGHT: 1858 LBS  
 C.O.G. DIMENSIONS  
 X (FRONT): -31.29"  
 Y (RIGHT): 25.47"  
 Z (HEIGHT): 23.66"

<b>SYMBOL LEGEND</b> ⊖ = MINUS DRAFT ⊕ = PLUS DRAFT ⊕ = ADDITIONAL CONTROL REQ'D HRC = BRINELL HARDNESS		Drawings to conform to the current revision of the following ANSI standards: Y14.3 Multi and sectional view dgs. Y14.5M Dimensioning and tolerancing	
TOLERANCES NOT SPECIFIED .XX ± .XXX ± <math>\angle</math>(DEG) ±		AUTOCAD REL2014 LT INCH DO NOT SCALE DRAWING FOR DIMENSIONS Sheet 4 of 4 SCALE 1:14	
CONFIDENTIAL DISCLOSURE This drawing is the property of POWEREX, INC. of the SCOTT FEITZER COMPANY and subject to return on demand. Its contents are confidential and must not be copied or submitted to outside parties for use or examination.		DRAWN BY: AEK CHECKED BY: GES APPROVED BY: ENGINEERING MFG/MRKTG: KMD RJR 8/17/16 8/17/16 8/17/16 8/17/16	
MATERIAL: N/A		<b>POWEREX</b> 150 PRODUCTION DRIVE, HARRISON, OHIO 45030 Ph: 888-769-7979 FAX: (513) 367-3125	
PART NAME: 7.5HP CLAW VACUUM 200GAL TRIPLEX		DWG NO: CVPT0755B SIZE: D	

8 7 6 5 4 3 2 1