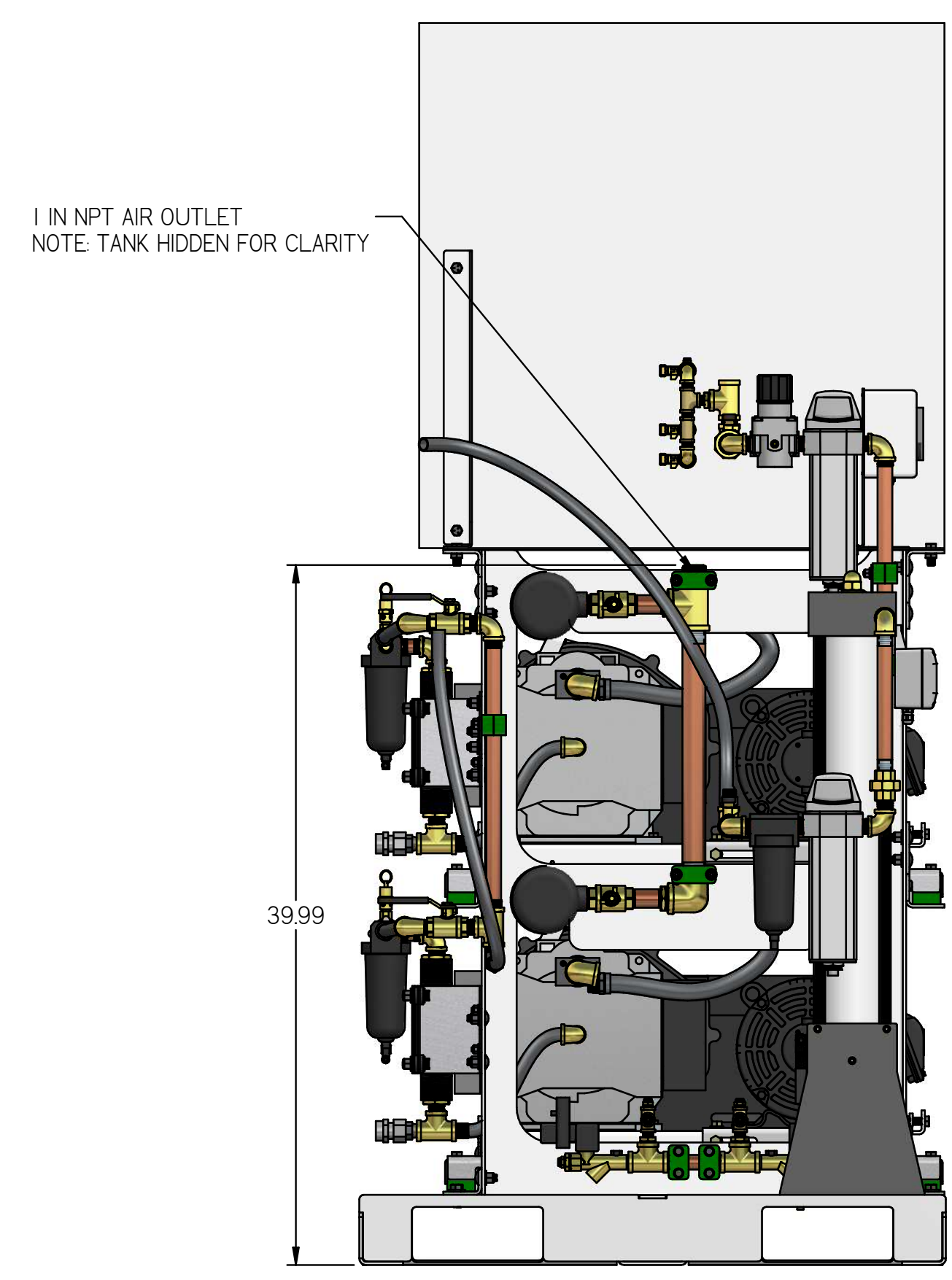
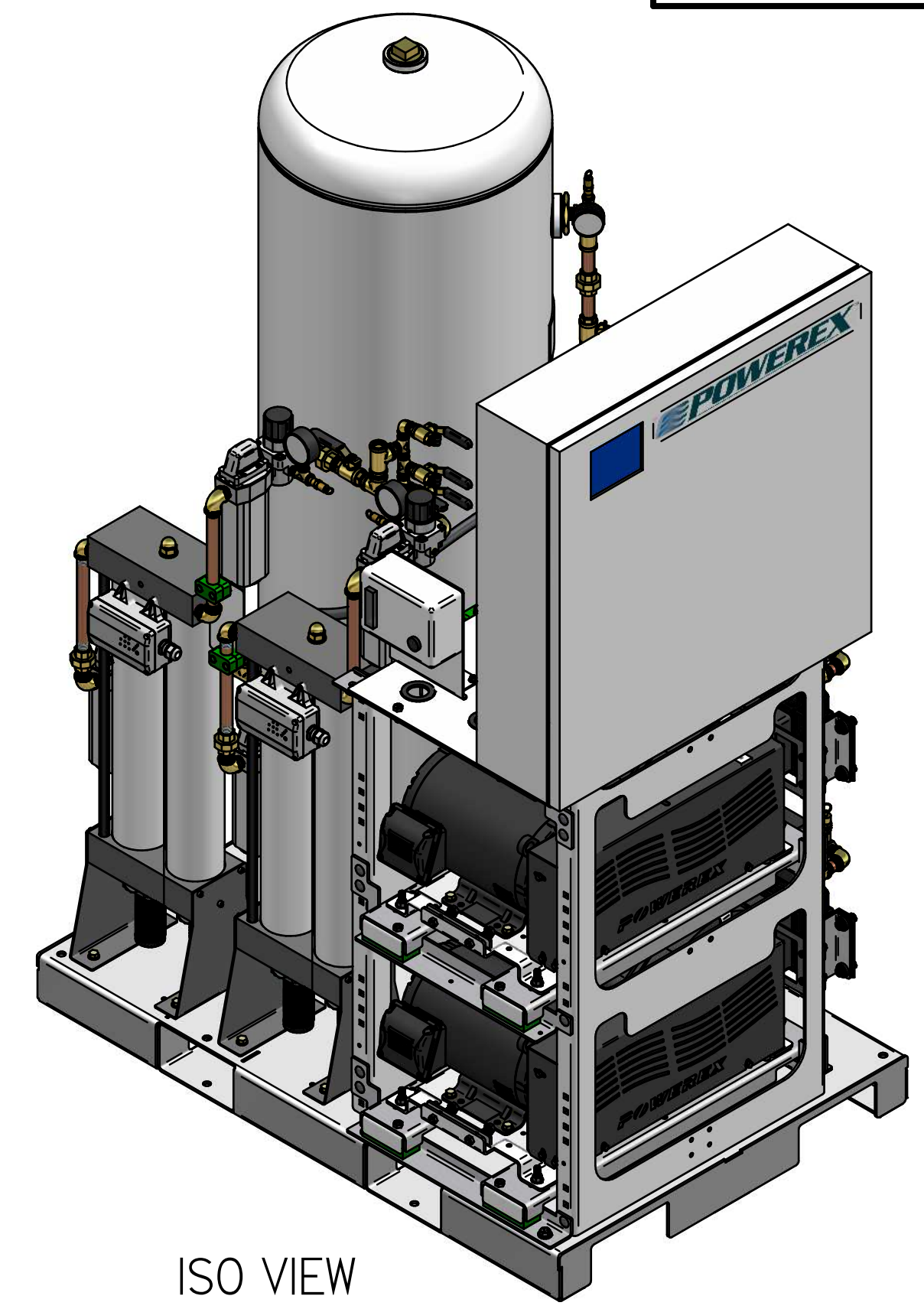
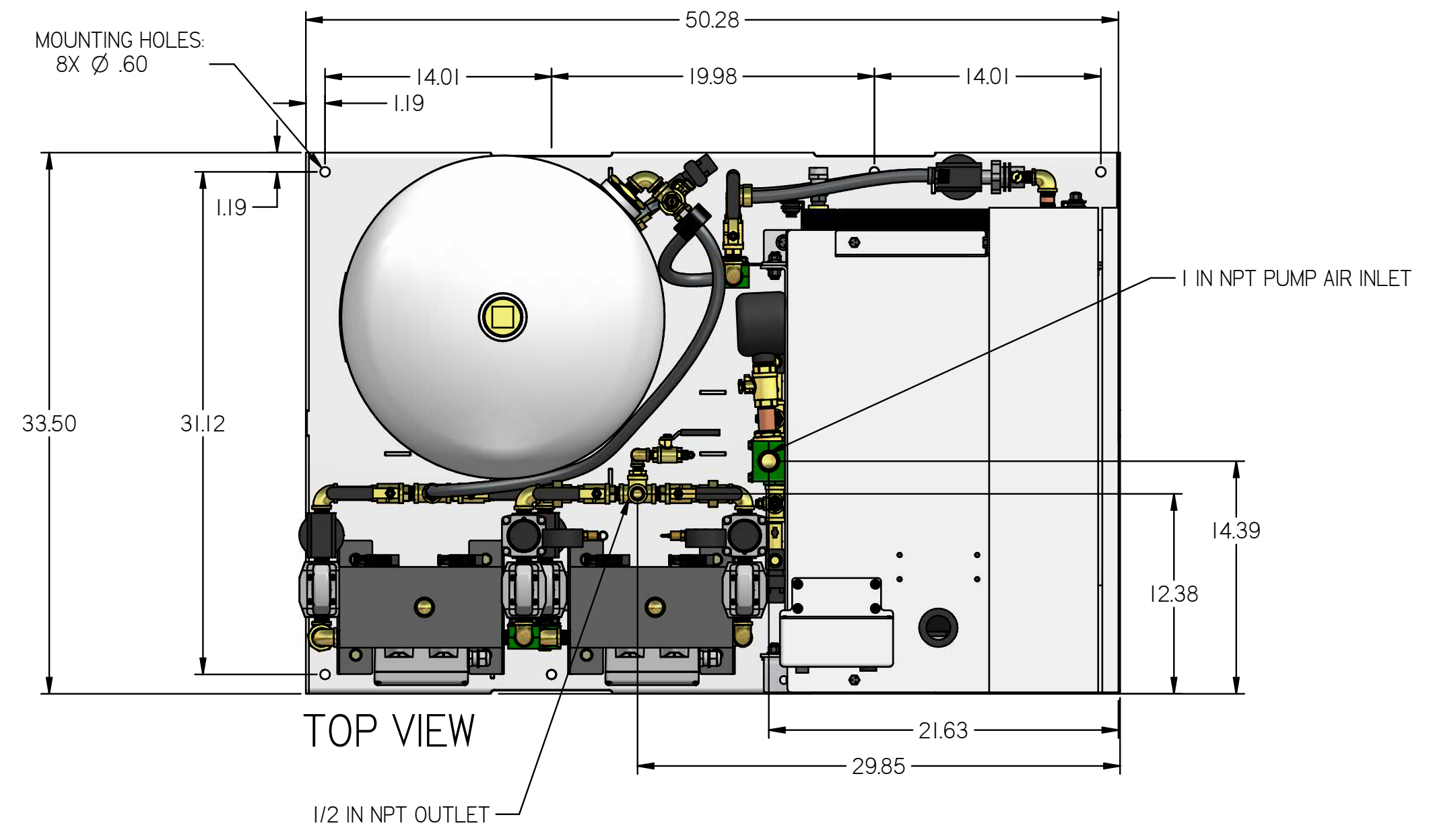


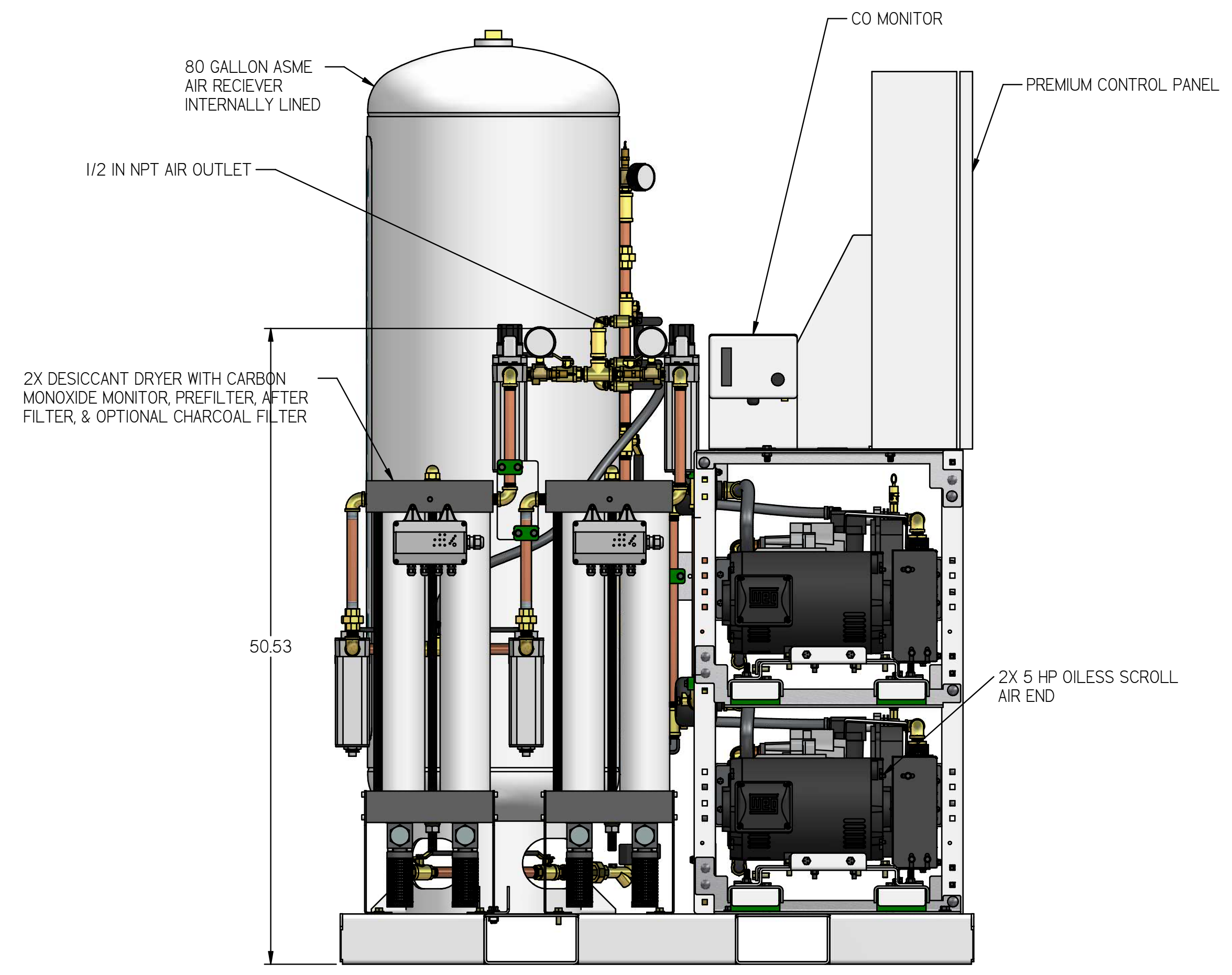
REVISION NOTES		
DESCRIPTION	ECN	PR/NOR
PRODUCTION RELEASE	PXECO169	N/A

MSD05A3

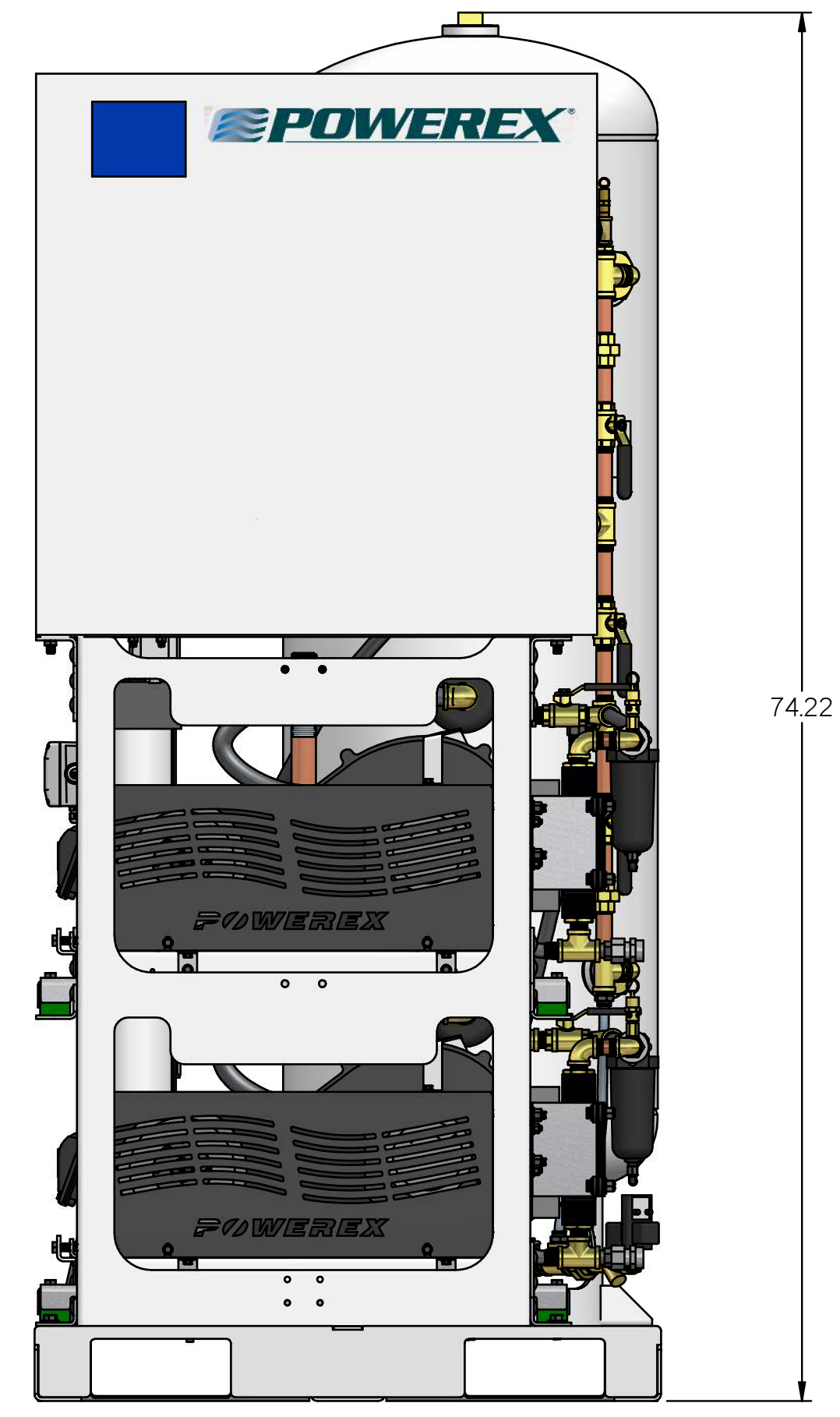
MEDICAL OPEN SCROLL
SYSTEM 5 HP DUPLEX WITH
80 GALLON TANK
PREMIUM PANEL



LEFT VIEW



FRONT VIEW



RIGHT VIEW

- NOTES:
- APPROX SYSTEM WEIGHT: 1184 LB
 - 24" MINIMUM MAINTENANCE CLEARANCE RECOMMENDED ALL SIDES. CLEARANCE FOR CONTROL PANEL SHALL BE IN ACCORDANCE WITH OSHA/NEC REQUIREMENTS

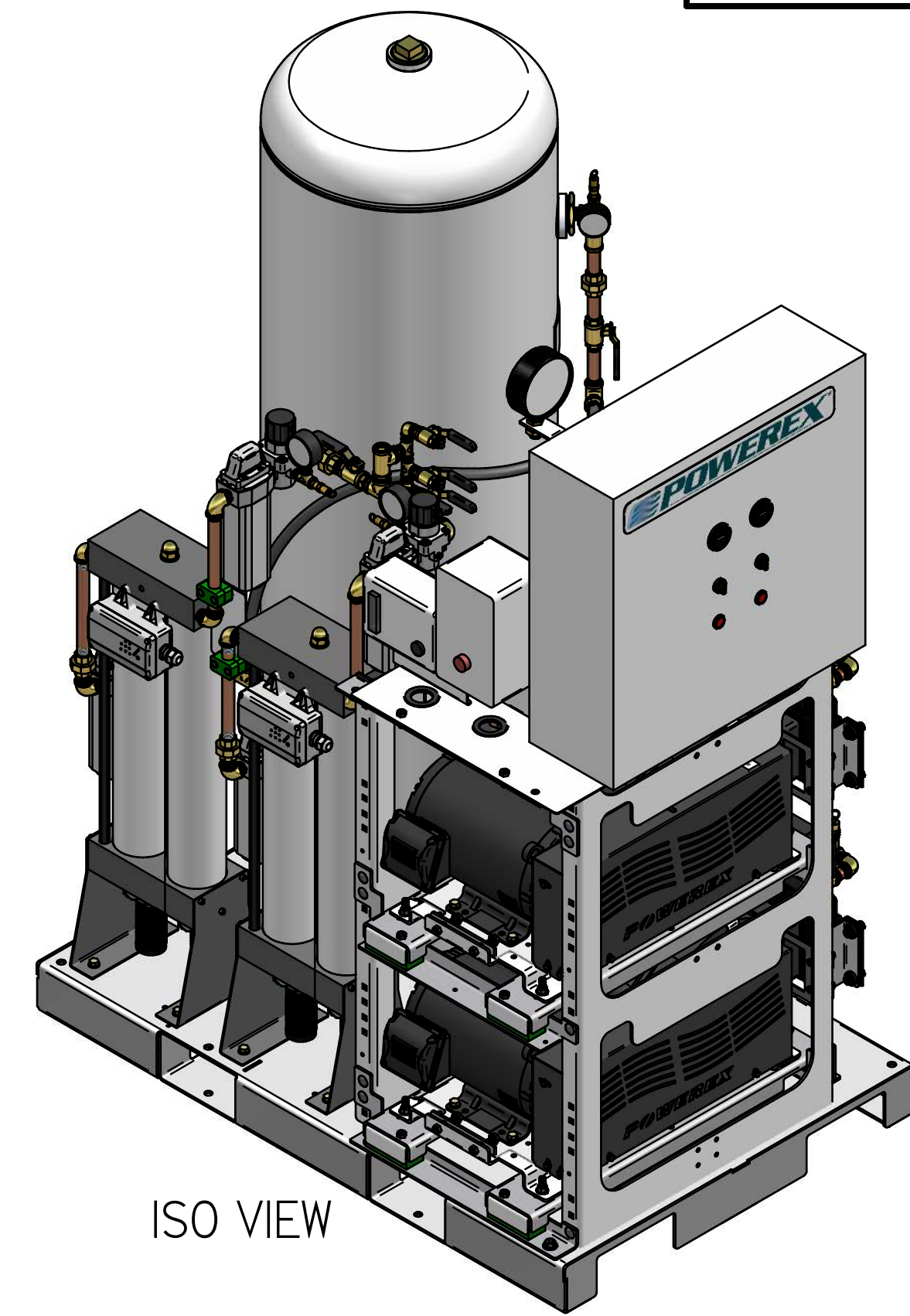
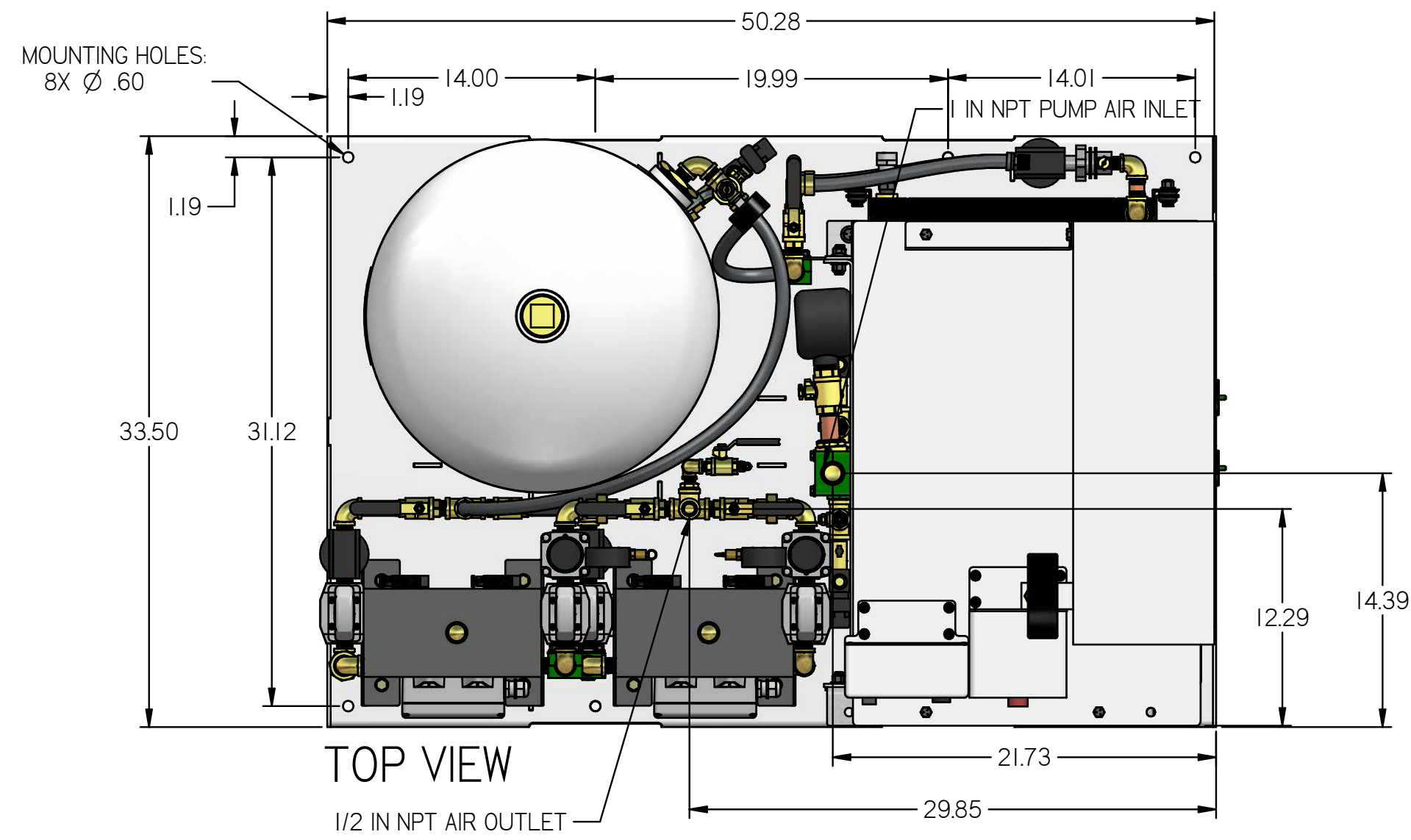
SYMBOL LEGEND		DRAWINGS TO CONFORM TO CURRENT REVISION OF THE FOLLOWING ANSI STANDARDS:		
TOLERANCES NOT SPECIFIED	SOLID EDGE DRAWING	DO NOT SCALE DRAWING FOR DIMENSIONS		
0.XXX ± .01	DRAWING	1/16	1/8	1/4
0.XXX ± .005		1/2	3/4	1
± .5	INCH	SHEET 1 OF 5		
<small>CONFIDENTIAL DISCLOSURE</small> This drawing is the property of POWEREX of the SCOTT FETTER COMPANY and is subject to return on demand. Its contents are confidential and must not be copied or submitted to outside parties for use or examination.		AUTHOR	ORIGINATION DATE	APPROVALS ON FILE IN PLM
TITLE: 716456 MATERIAL: SEE PART DRAWINGS DESCRIPTION: MEDICAL OPEN SCROLL SYSTEM 5 HP DUPLEX WITH 80 GALLON TANK		ASoulek	10/11/2018	
DRAWING NUMBER: MSD05A3		REVISION: A	SIZE: D	



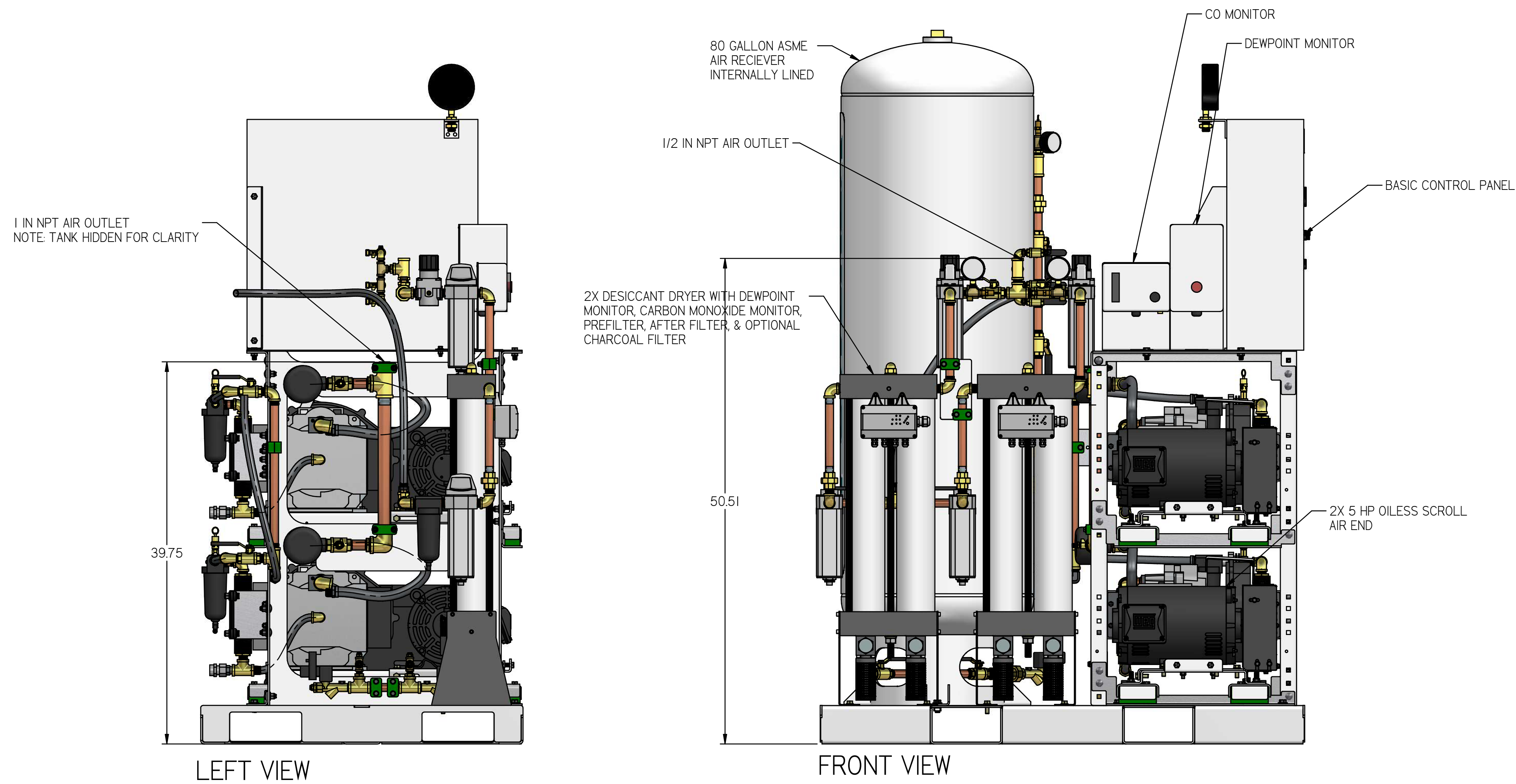
REVISION NOTES		
DESCRIPTION	ECN	PR/NOR
PRODUCTION RELEASE	PXECO169	N/A

MSD05A3

MEDICAL OPEN SCROLL
SYSTEM 5 HP DUPLEX WITH
80 GALLON TANK
BASIC PANEL

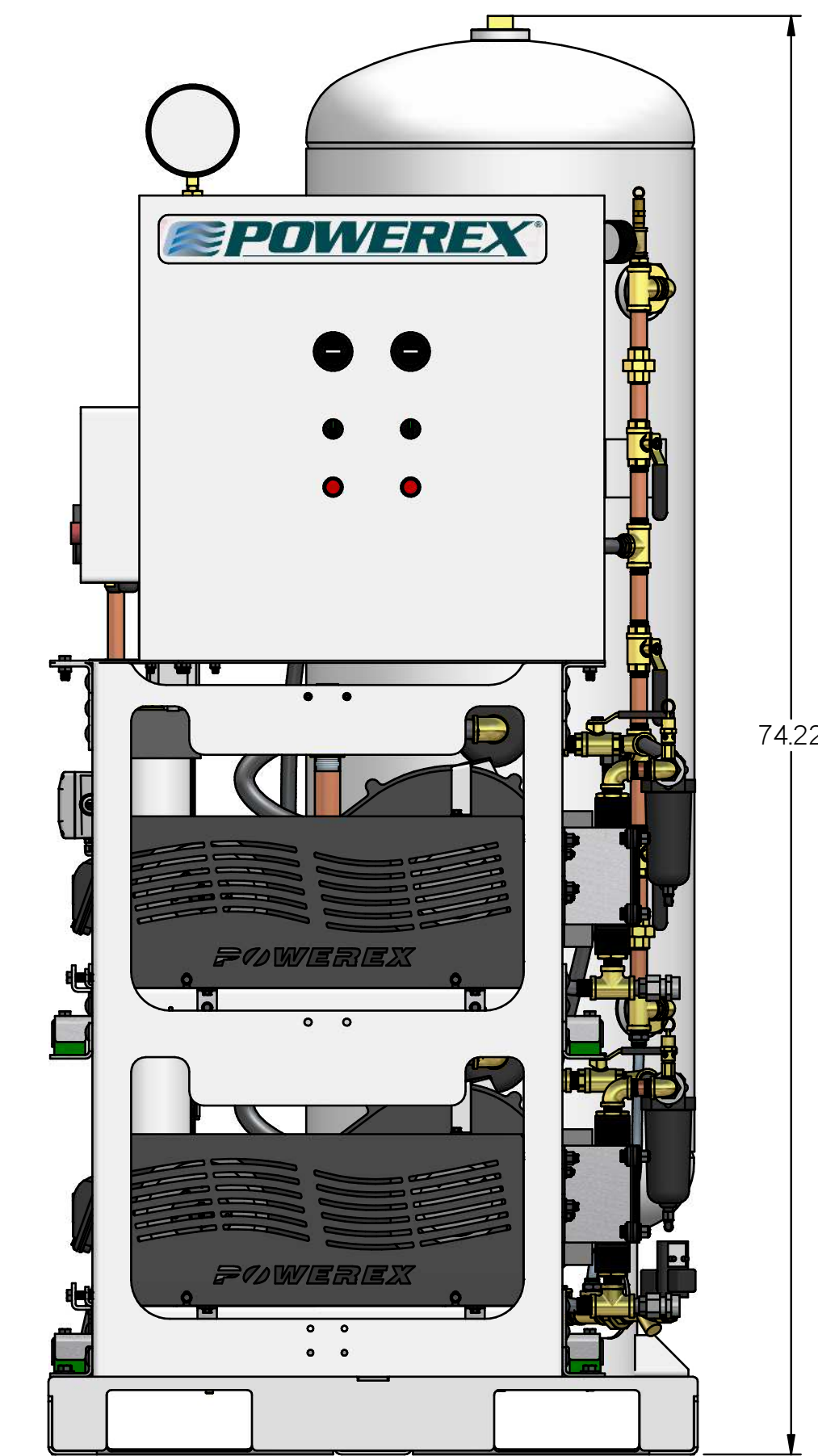


ISO VIEW



LEFT VIEW

FRONT VIEW



RIGHT VIEW

- NOTES:
1. APPROX SYSTEM WEIGHT: 1184 LB
2. 24" MINIMUM MAINTENANCE CLEARANCE RECOMMENDED ALL SIDES. CLEARANCE FOR CONTROL PANEL SHALL BE IN ACCORDANCE WITH OSHA/NEC REQUIREMENTS

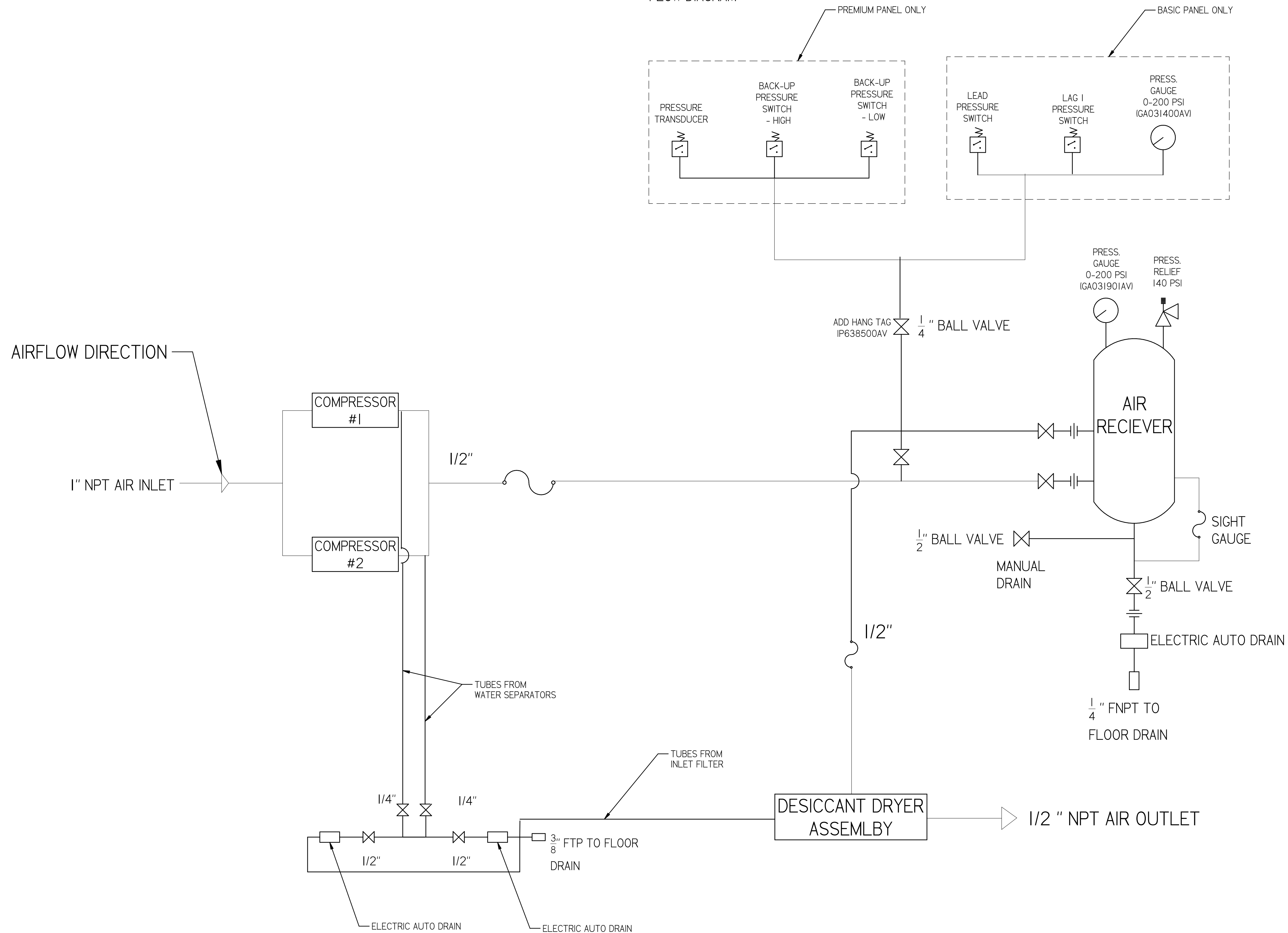
SYMBOL LEGEND		DRAWINGS TO CONFORM TO CURRENT REVISION OF THE FOLLOWING ANSI STANDARDS:		
		Y143 MULTI AND SECTIONAL VIEW DWGS		
		Y145 DIMENSIONING AND TOLERANCING		
TOLERANCES NOT SPECIFIED	SOLID EDGE DRAWING	DO NOT SCALE DRAWING FOR DIMENSIONS		
0.XXX ± .01		SHEET 2 OF 5	SCALE	1:8
0.XXX ± .005	INH			
0.005 ± .001				
CONFIDENTIAL DISCLOSURE: This drawing is the property of POWEREX of the SCOTT FETTER COMPANY and is subject to return on demand. Its contents are confidential and must not be copied or submitted to outside parties for use or examination.		AUTHOR	ORIGINATION DATE	APPROVALS ON FILE IN PLM
ITEM NO: 716456		ASoulek	10/11/2018	
MATERIAL: SEE PART DRAWINGS				
DESCRIPTION: MEDICAL OPEN SCROLL SYSTEM 5 HP DUPLEX WITH 80 GALLON TANK				
DRAWING NUMBER: MSD05A3		REVISION: A	SIZE: D	



REVISION NOTES		
DESCRIPTION	ECN	PR/NOR
PRODUCTION RELEASE	PXECO169	N/A

MSD05A3

MEDICAL OPEN SCROLL
SYSTEM 5 HP DUPLEX WITH
80 GALLON TANK
FLOW DIAGRAM

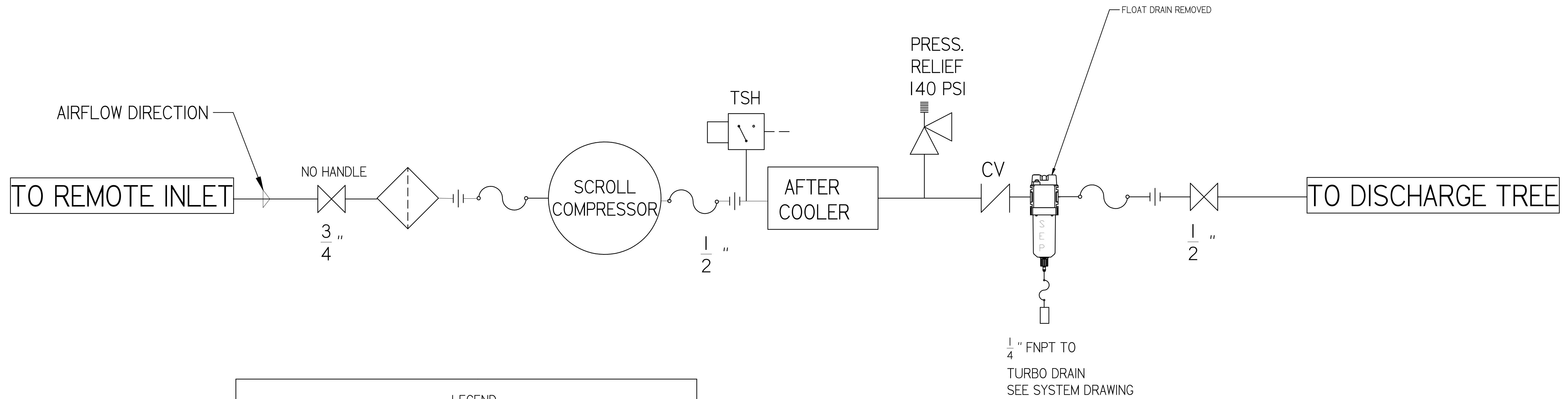


SYMBOL LEGEND		DRAWINGS TO CONFORM TO CURRENT REVISION OF THE FOLLOWING ANSI STANDARDS:	
TOLERANCES NOT SPECIFIED:		Y14.3 MULTI-SECTIONAL VIEW DIMS	
0.00X ± .01		Y14.5 DIMENSIONING AND TOLERANCING	
0.00X ± .005		DO NOT SCALE DRAWING FOR DIMENSIONS	
± .5		SHEET 3 OF 5	
INCH		SCALE 1:1	
<small>CONFIDENTIAL DISCLOSURE</small> This drawing is the property of POWEREX of the SCOTT FETTER COMPANY and is subject to return on demand. Its contents are confidential and must not be copied or submitted to outside parties for use or examination.		APPROVALS ON FILE IN PLM AUTHOR: ASoulek ORIGINATION DATE: 10/11/2018	
TITLE: 716456 MATERIAL: SEE PART DRAWINGS		 150 PRODUCTION DRIVE, HARRISON OH 45030 (888) 768-7079	
DESCRIPTION: MEDICAL OPEN SCROLL SYSTEM 5 HP DUPLEX WITH 80 GALLON TANK		DRAWING NUMBER: MSD05A3 REVISION: A SIZE: D	

REVISION NOTES		
DESCRIPTION	ECN	PR/NOR
PRODUCTION RELEASE	PXECO169	N/A

MSD05A3

MEDICAL OPEN SCROLL
SYSTEM 5 HP DUPLEX WITH
80 GALLON TANK
MEDICAL COMPRESSOR
FLOW DIAGRAM



LEGEND	
	RELIEF VALVE
	INTAKE FILTER
	AIR FILTER
	3 WAY VALVE
	CARBON FILTER
	BALL VALVE
	PRESSURE SWITCH
	REGULATOR
	SEPARATOR
	CHECK VALVE
	FLEX LINE
	TSH HIGH TEMP SWITCH

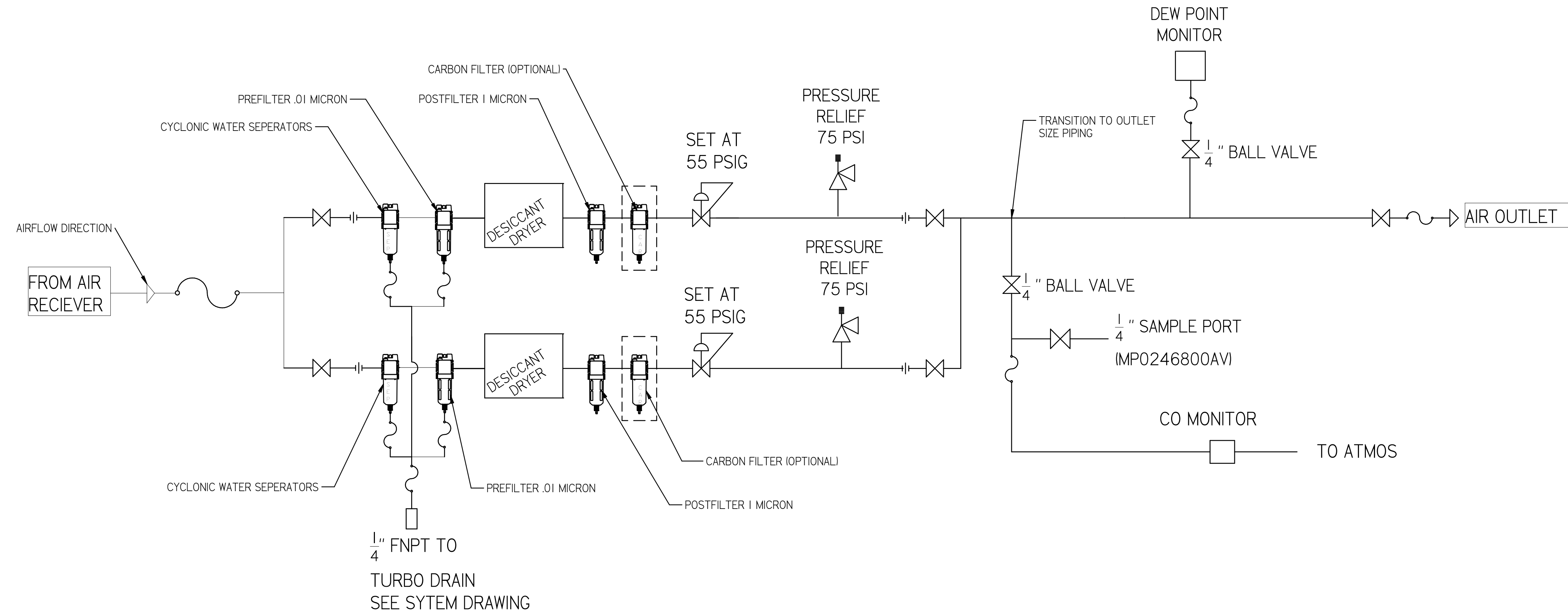
SYMBOL LEGEND		DRAWINGS TO CONFORM TO CURRENT REVISION OF THE FOLLOWING ANSI STANDARDS:	
		Y14.3 MULTI AND SECTIONAL VIEW DWGS Y14.5 DIMENSIONING AND TOLERANCING	
TOLERANCES NOT SPECIFIED	SOLID EDGE DRAWING	DO NOT SCALE DRAWING FOR DIMENSIONS	
0.001 ± .001		SHEET 4 OF 5	SCALE 1:1
0.005 ± .005	INCH	APPROVALS ON FILE IN PLM	
<small>CONFIDENTIAL DISCLOSURE</small> This drawing is the property of POWEREX of the SCOTT FETTER COMPANY and is subject to return on demand. Its contents are confidential and must not be copied or submitted to outside parties for use or examination.		AUTHOR	ORIGINATION DATE
TITLE: 716456 MATERIAL: SEE PART DRAWINGS		ASoulek	10/11/2018
DESCRIPTION: MEDICAL OPEN SCROLL SYSTEM 5 HP DUPLEX WITH 80 GALLON TANK			
		DRAWING NUMBER	REVISION
		MSD05A3	A
			D



REVISION NOTES		
DESCRIPTION	ECN	PR/NOR
PRODUCTION RELEASE	PXECO169	N/A

MSD05A3

MEDICAL OPEN SCROLL
SYSTEM 5 HP DUPLEX WITH
80 GALLON TANK
MEDICAL DRYER
FLOW DIAGRAM



PIPE SIZE CHART		
PUMP COUNT	DRYER PLUMBING SIZE	OUTLET PIPE SIZE
2	1/2"	1/2"
3	1/2"	1"
4	1/2"	1"
6	1"	1-1/2"
8	1"	1-1/2"
9	1"	1-1/2"
12	1-1/2"	2"
15	1-1/2"	2"
18	1-1/2"	2"

SYMBOL LEGEND		DRAWINGS TO CONFORM TO CURRENT REVISION OF THE FOLLOWING ANSI STANDARDS: #14.3 MULTI AND SECTIONAL VIEW DIMS #14.5 DIMENSIONING AND TOLERANCING	
TOLERANCES NOT SPECIFIED	SOLID EDGE DRAWING	DO NOT SCALE DRAWING FOR DIMENSIONS	
0.XXX ± .01		SHEET 5 OF 5	SCALE 1:1
0.XXX ± .005	AUTHOR		
± .5		ASoulek	10/11/2018
<small>CONFIDENTIAL DISCLOSURE</small> This drawing is the property of POWEREX of the SCOTT FETTER COMPANY and is subject to return on demand. Its contents are confidential and must not be copied or submitted to outside parties for use or examination.			
FROM: 716456 MATERIAL: SEE PART DRAWINGS		DRAWING NUMBER: MSD05A3 REVISION: A SIZE: D	

