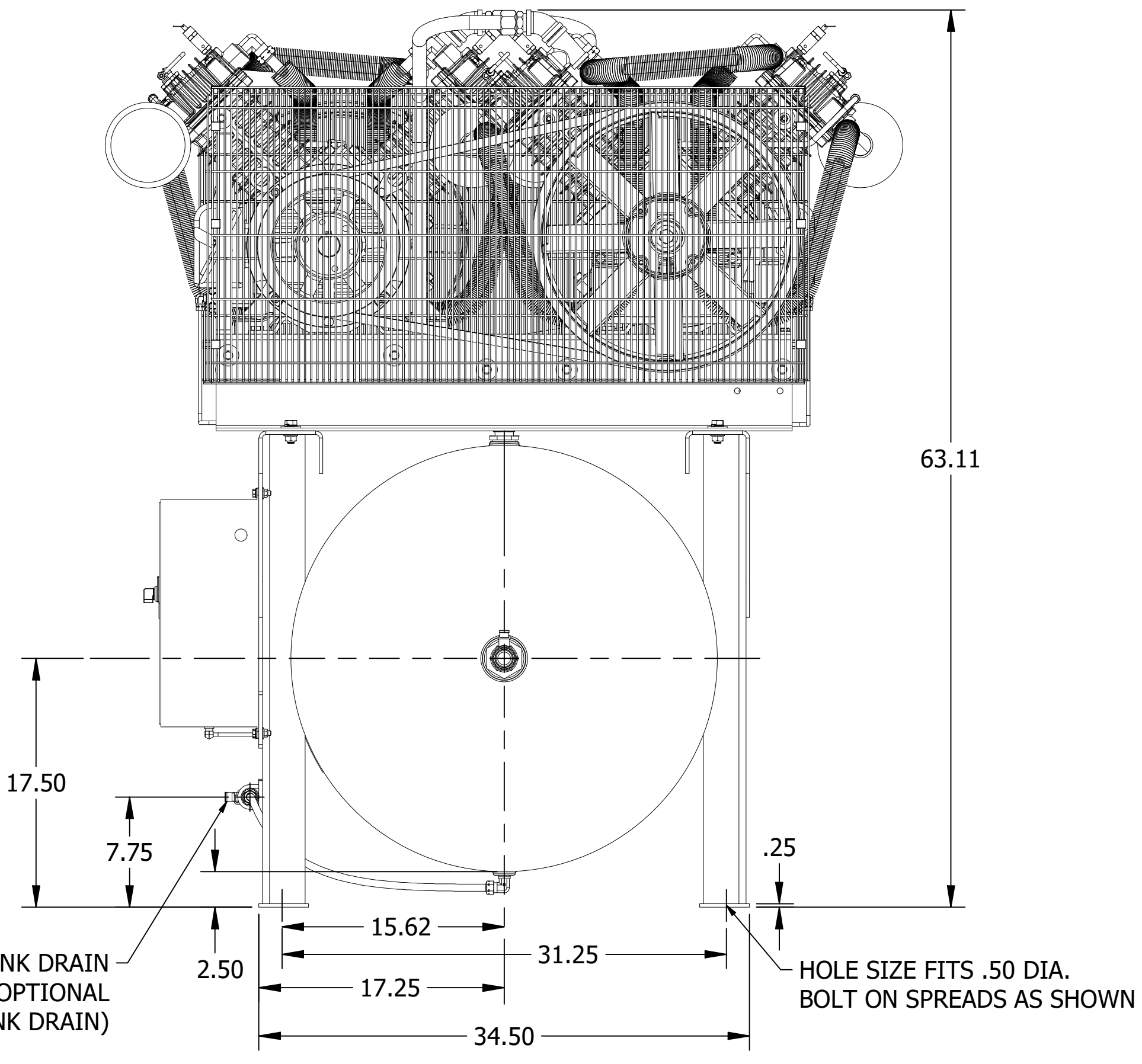
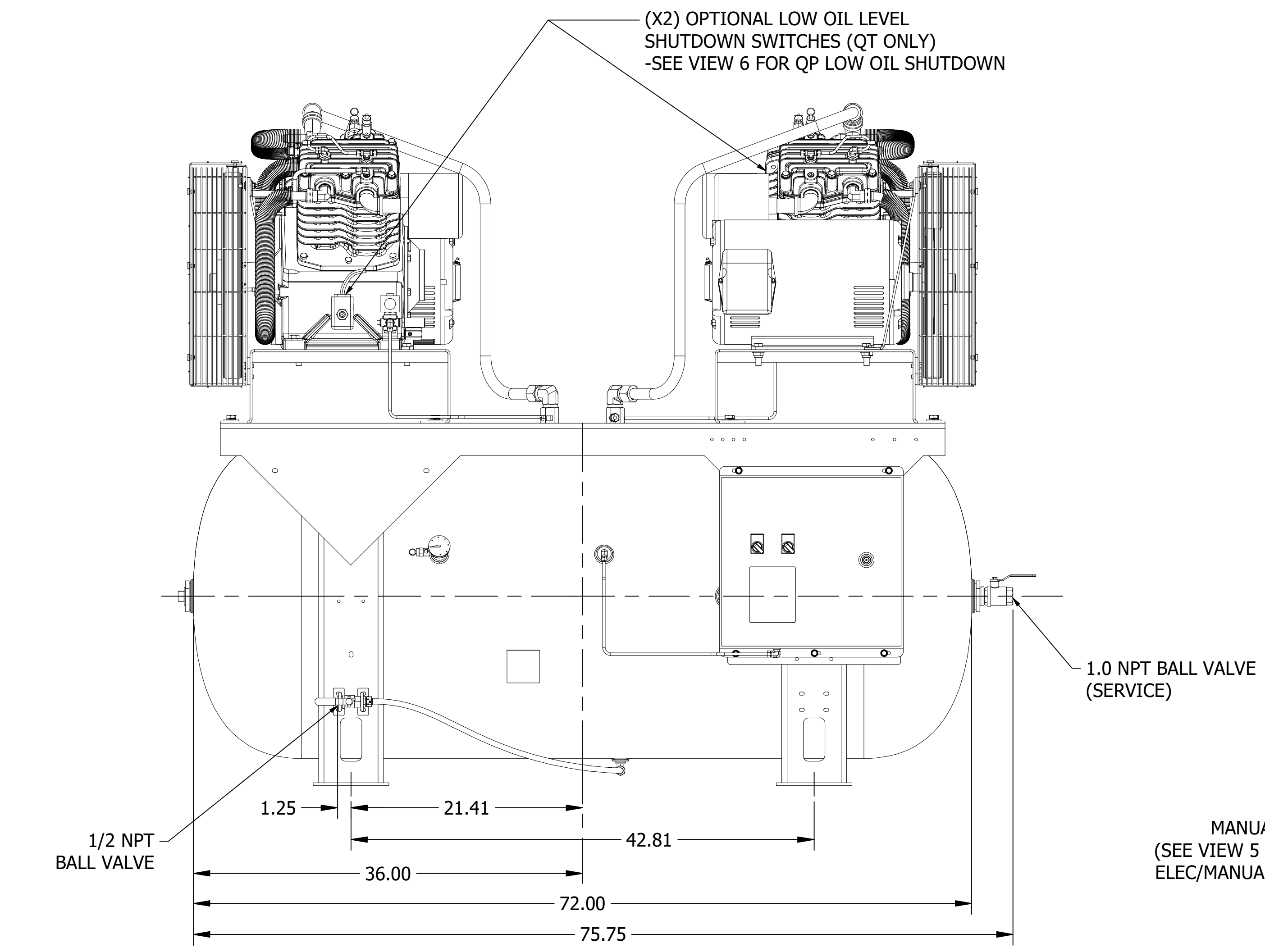
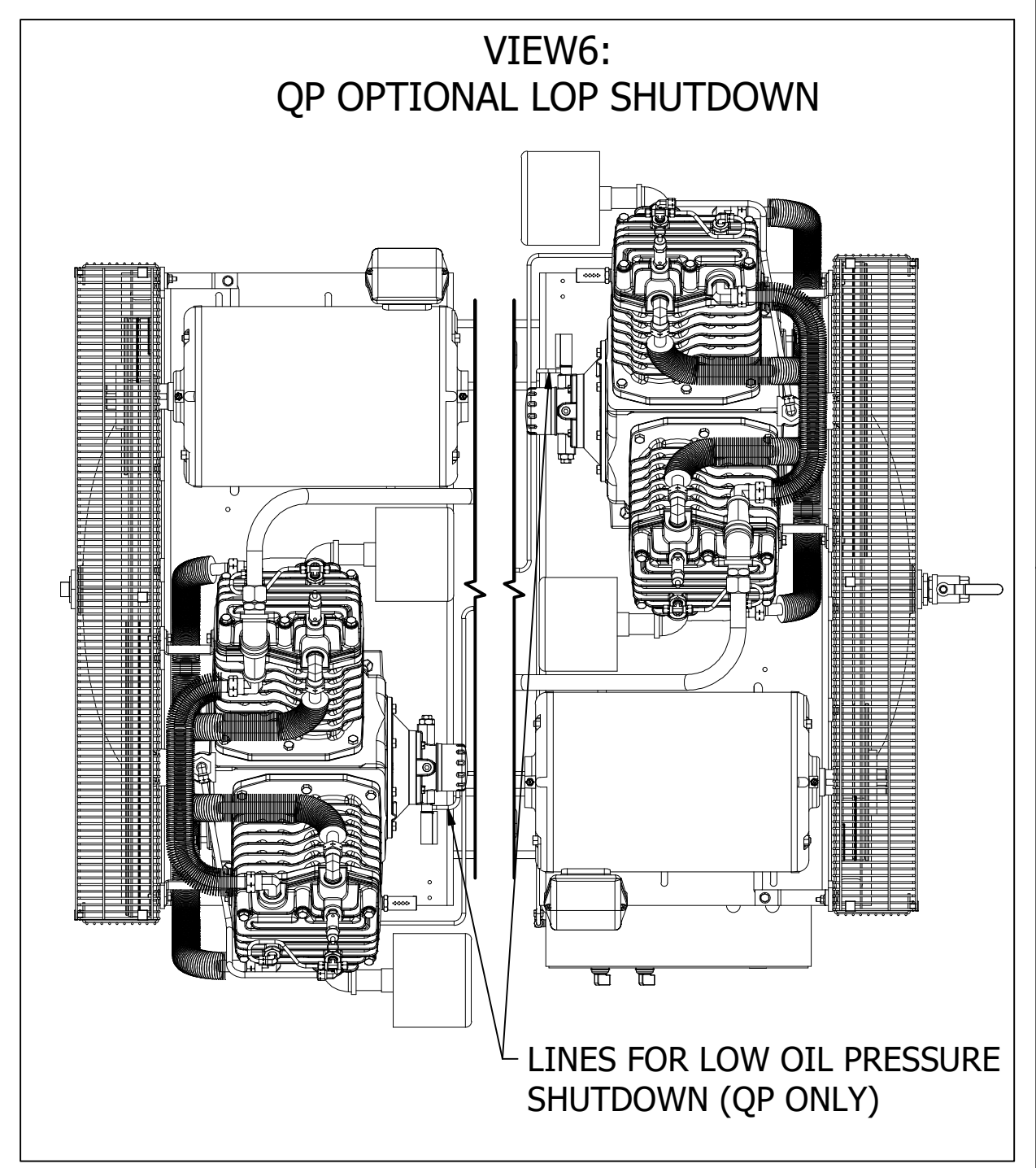
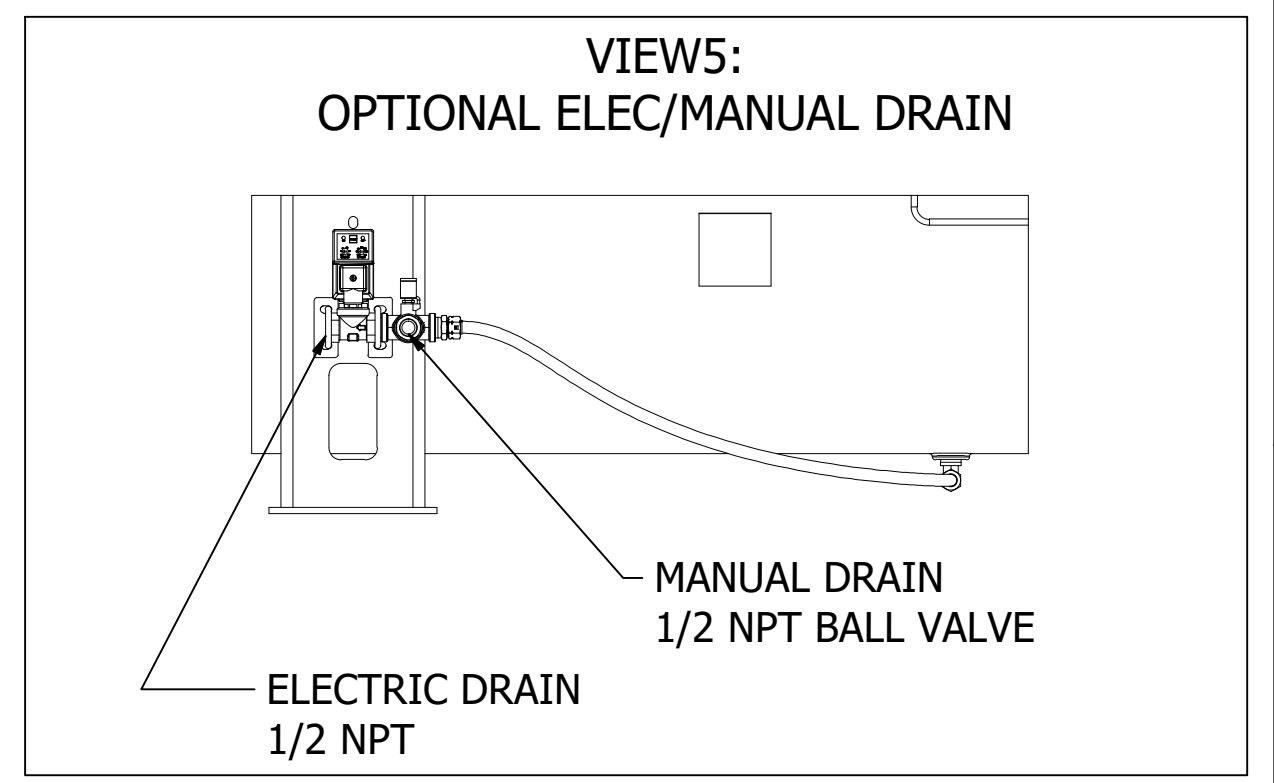
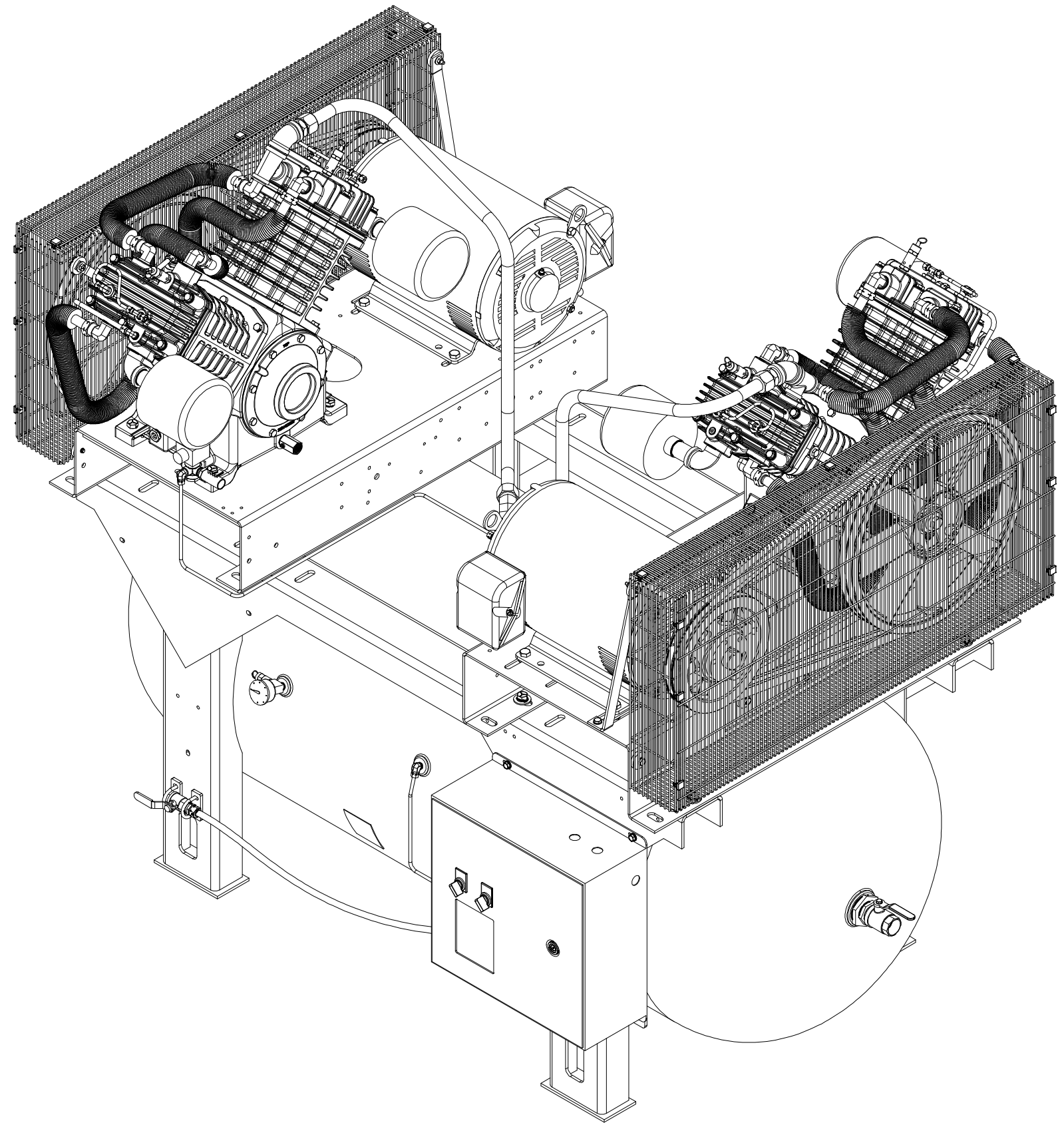
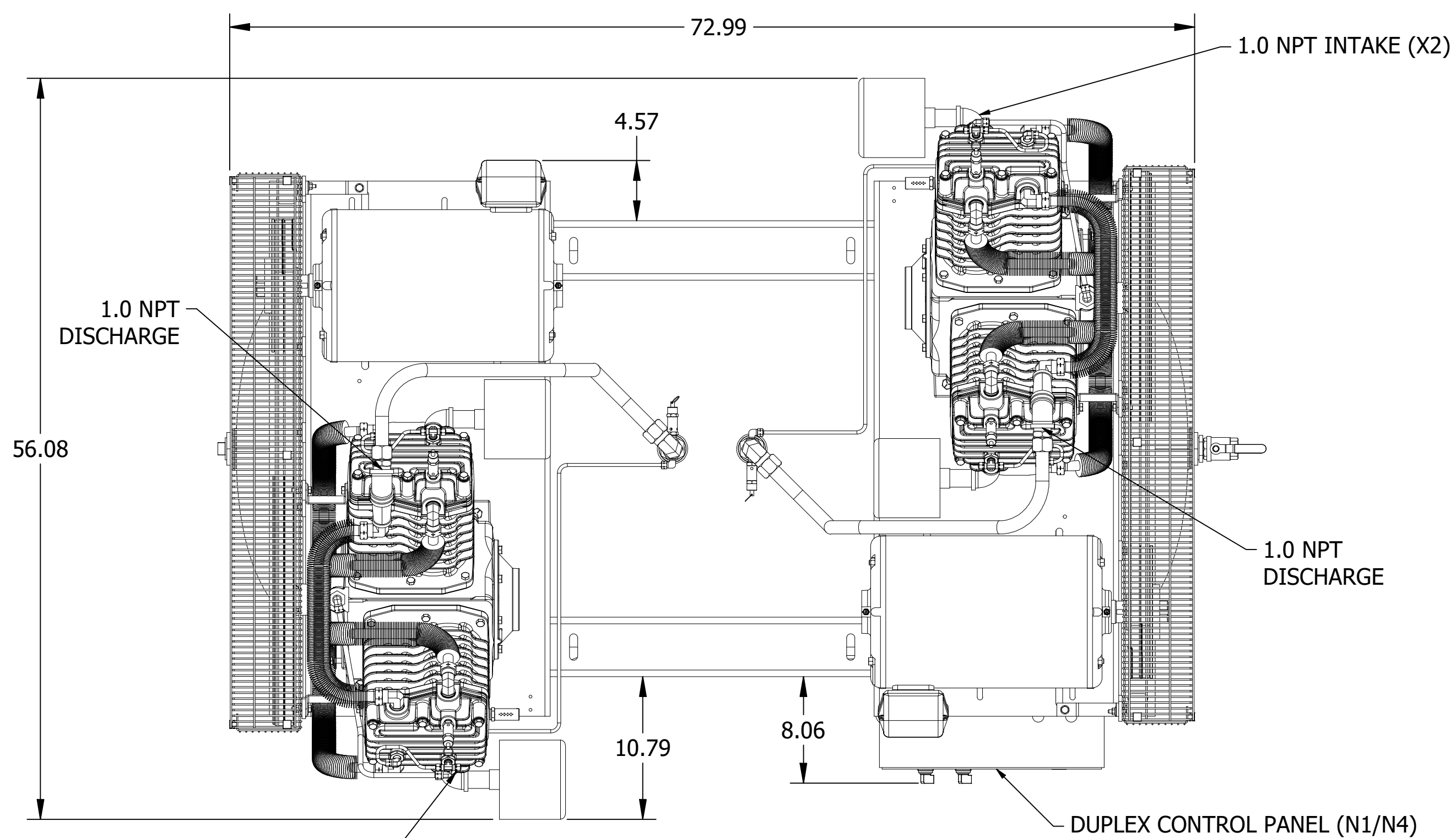


Ed	Position	Description	Date	Intr./Appd.
00		DRAWING RELEASED	04/22	BW



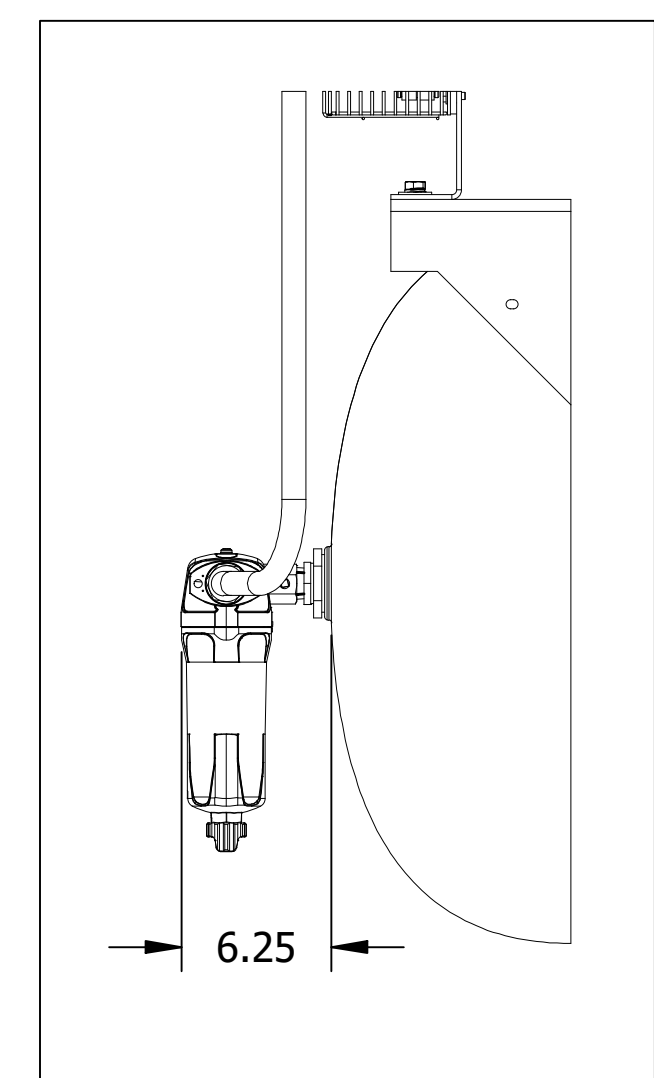
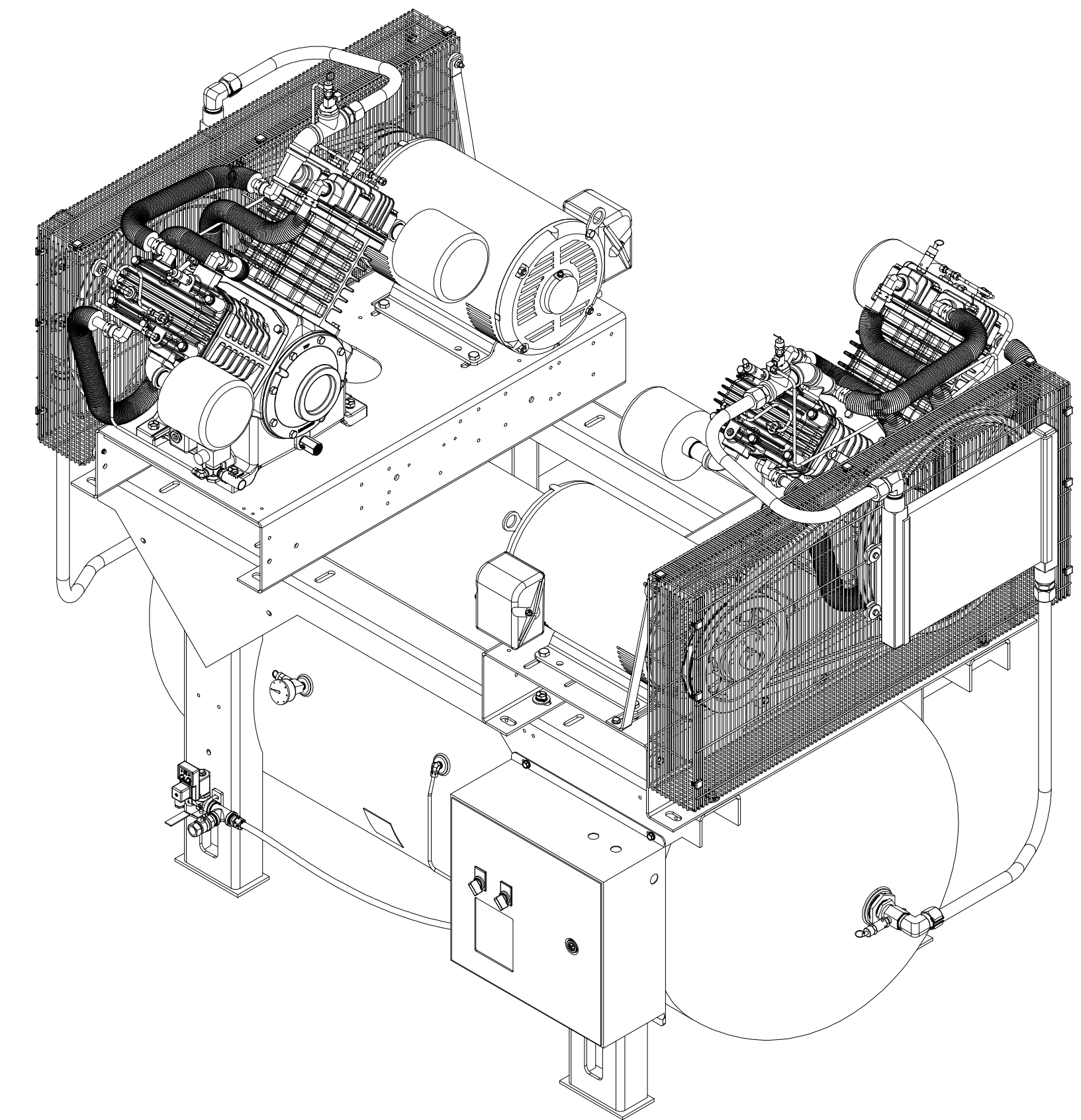
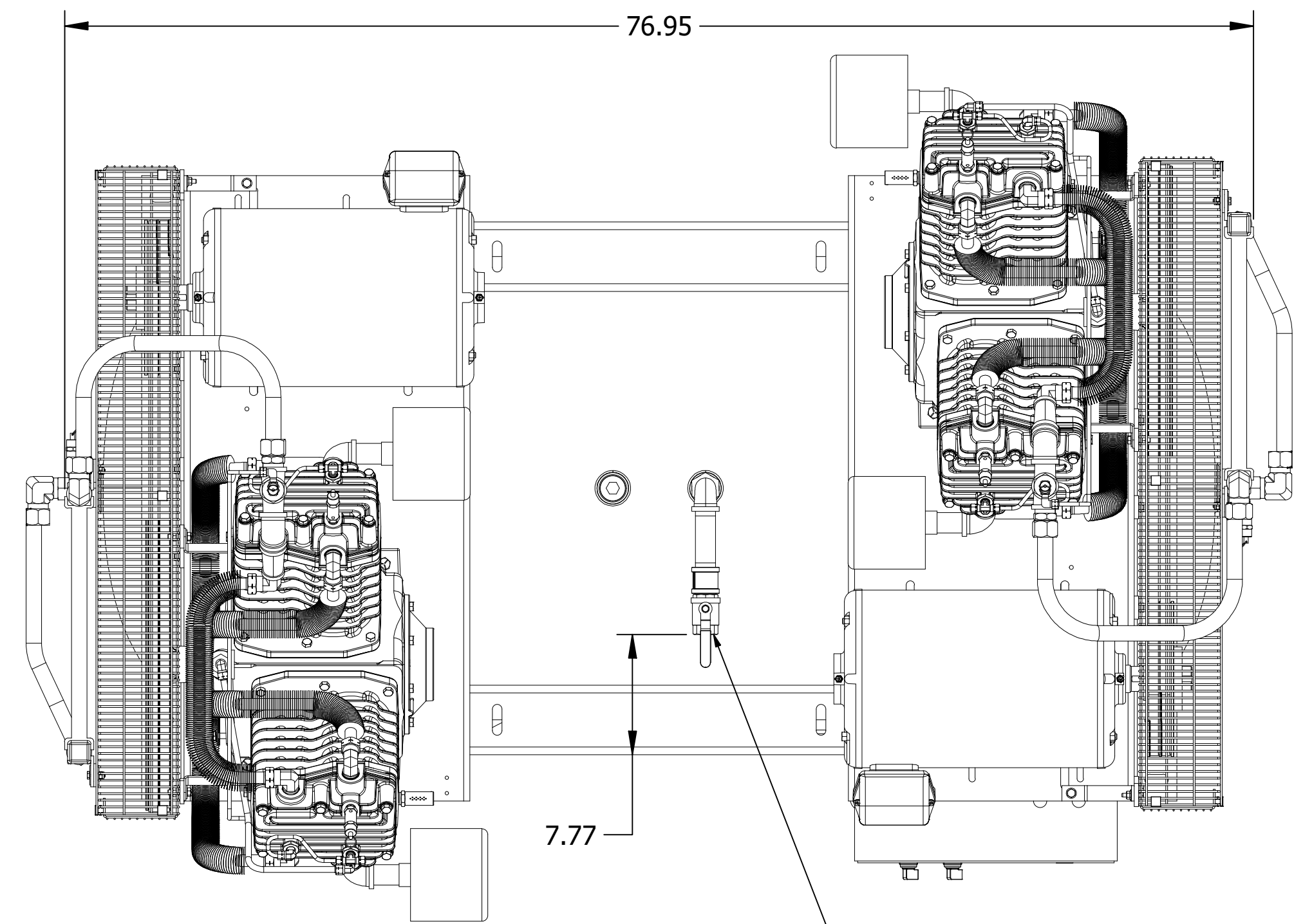
- NOTES:**
- 1) ALL DIMENSIONS GIVEN IN INCHES.
 - 2) ALLOW FOR A MINIMUM OF 12 INCHES ON ALL SIDES FOR SERVICE AND COOLING.
 - 3) QT-2 IS A SPLASH LUBRICATED COMPRESSOR.
 - 4) QP-2 IS A PRESSURE LUBRICATED COMPRESSOR.
 - 5) AVAILABLE WITH 10 OR 15 HORSEPOWER MOTOR.
 - 6) THIS DRAWING IS INTENDED TO ILLUSTRATE MULTIPLE UNITS SHARING THE SAME OVERALL PACKAGE DIMENSIONS. ACTUAL UNIT MAY APPEAR DIFFERENT DEPENDING ON PUMP, MOTOR HP, AND OPTIONS SELECTED.
 - 7) SEE ALL PAGES IN THIS DOCUMENT FOR REPRESENTATION OF CONFIGURATIONS THAT PROVIDE DIFFERENT OVERALL DIMENSIONS.

QT/QP-200HD

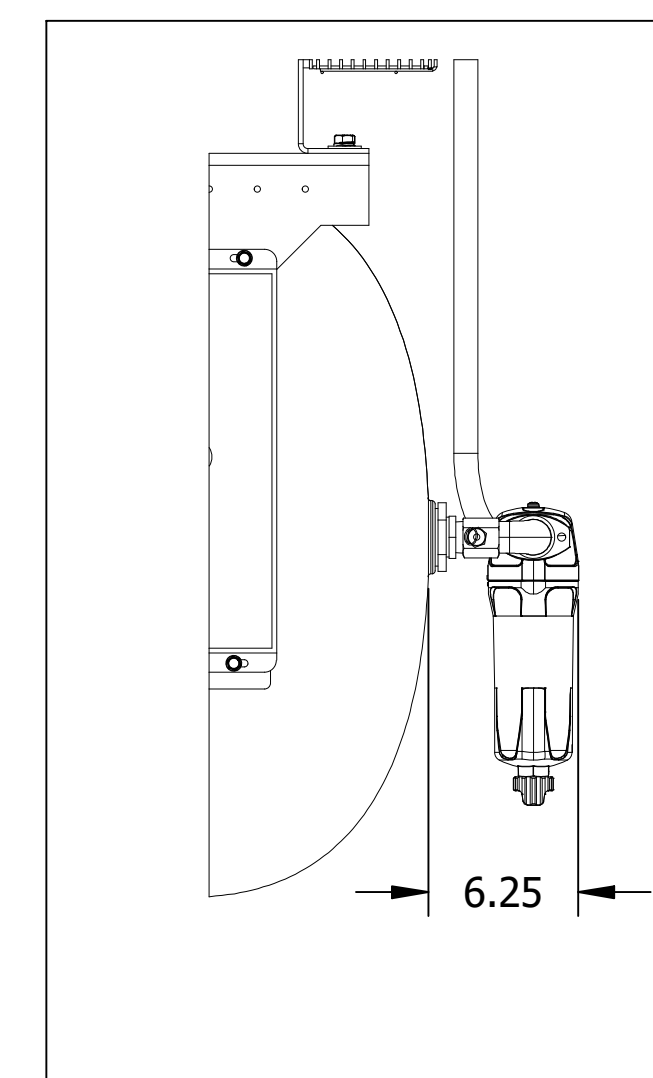
Name: DWG_DIM_QT/QP-2,200HD		Confidentiality Class: 1102K Confidential	
Material: Not Applicable		INV	
Finish: Not Applicable		Drawing owner: UTY	
Scale: 1:8		Family: Similar to	
Drawn by: UTYBALKER		Make From: Replaces	
Version Drwg: 2022035410		Blank wt: 0.0 lb	
STATUS: Preliminary		Date: 4/7/2022	
Parent 3D model: Ed. Version 3D		Designation: 2022035411	
Des checked:		Prod checked:	
Approved:		Date: 4/7/2022	

CONFIDENTIAL: This document is property of Quincy Compressor, LLC and shall not be used for manufacturing or commercial purposes without the written consent of Quincy Compressor, LLC.

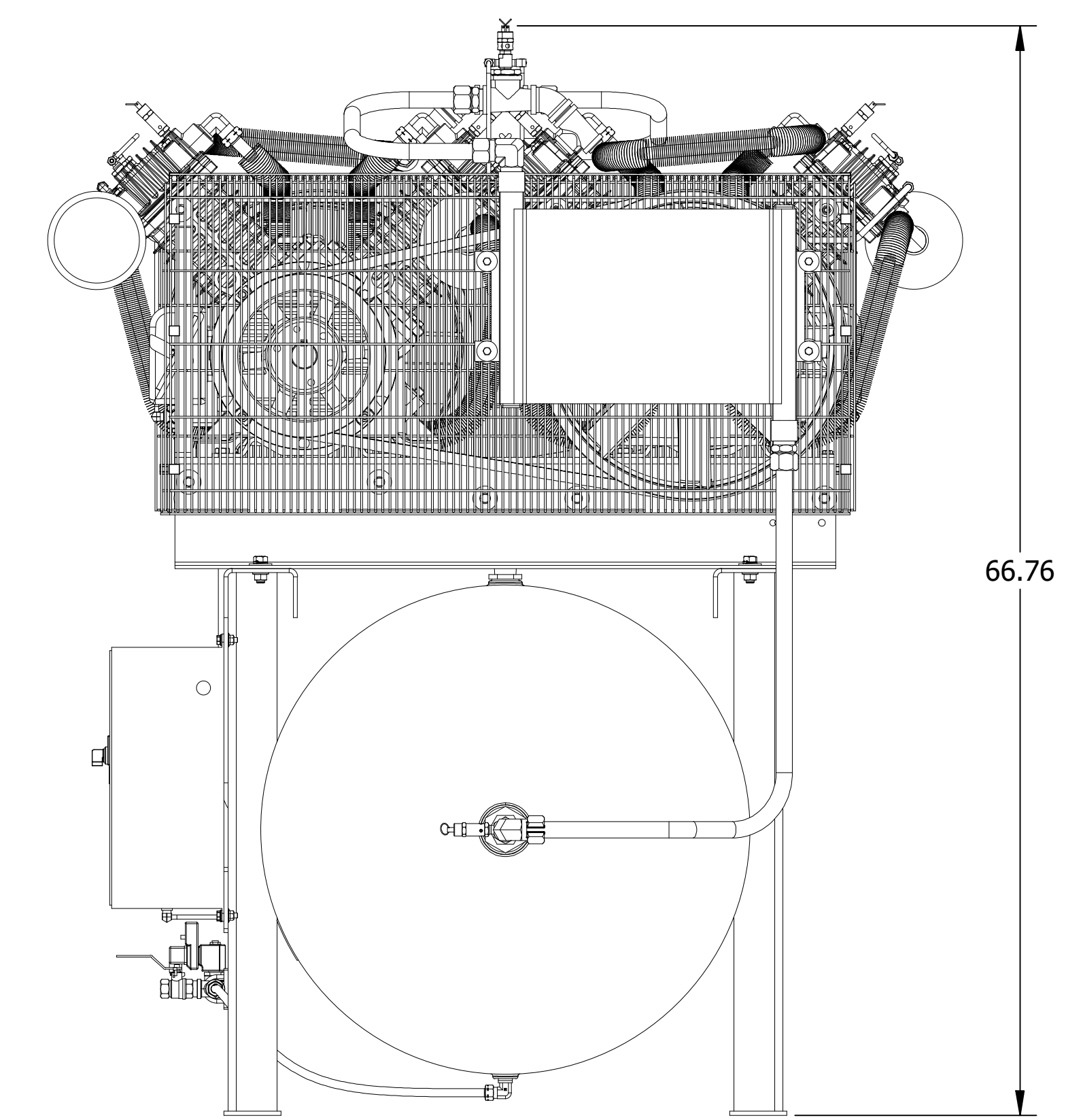
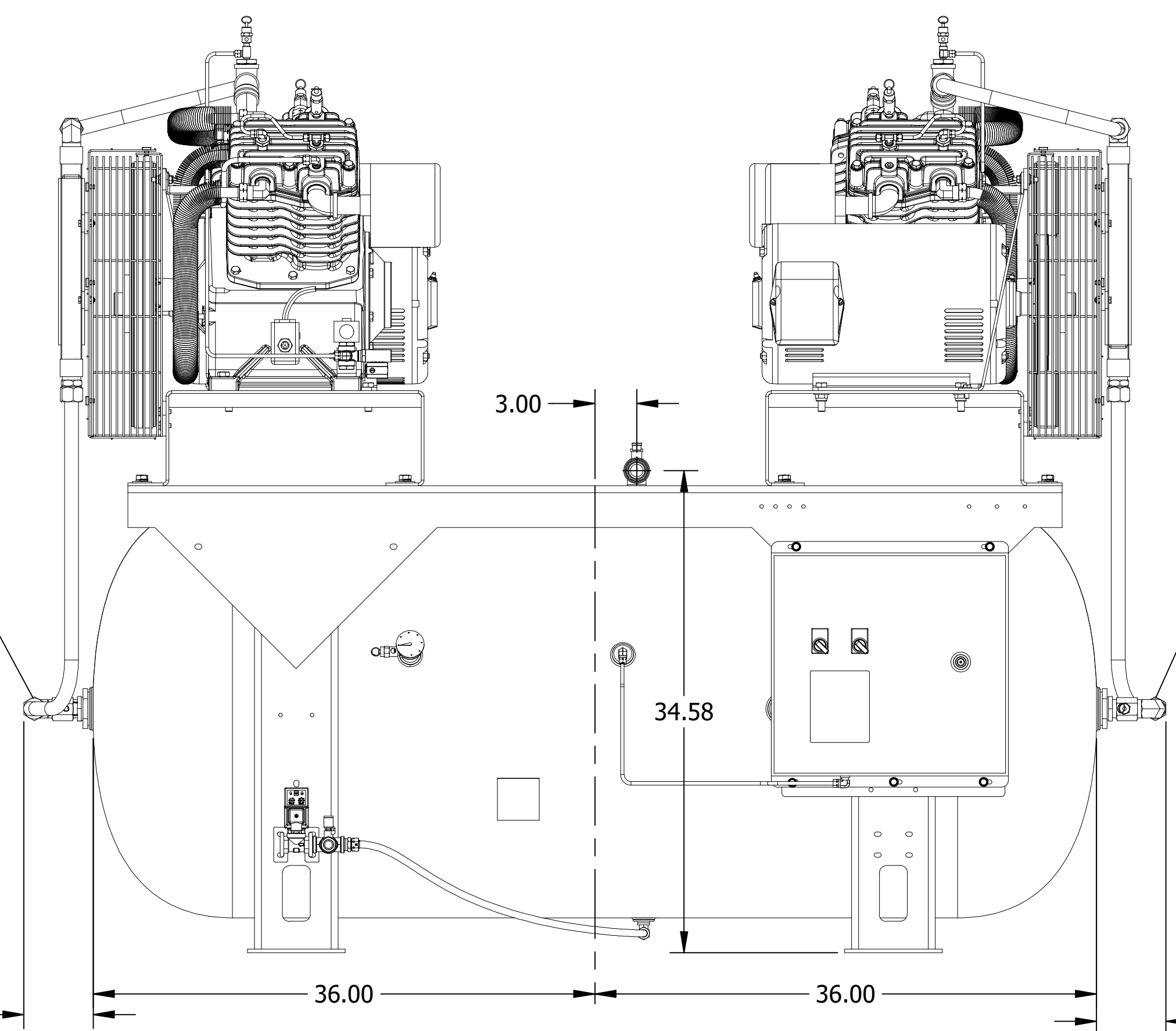
Ed	Position	Description	Date	Intr./Appd.
00		DRAWING RELEASED	04/22	BW



OPTIONAL MOISTURE TRAP



OPTIONAL MOISTURE TRAP

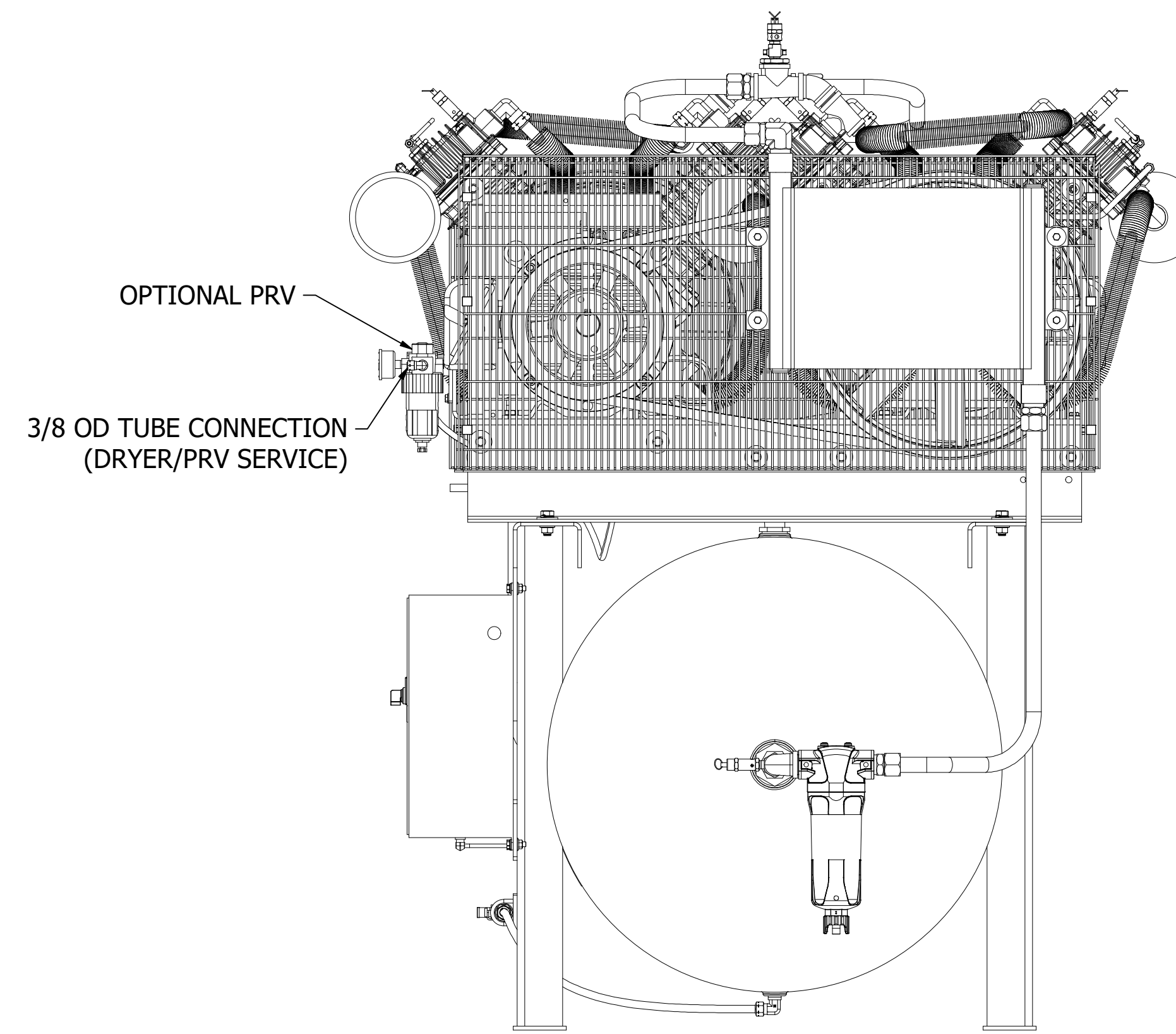
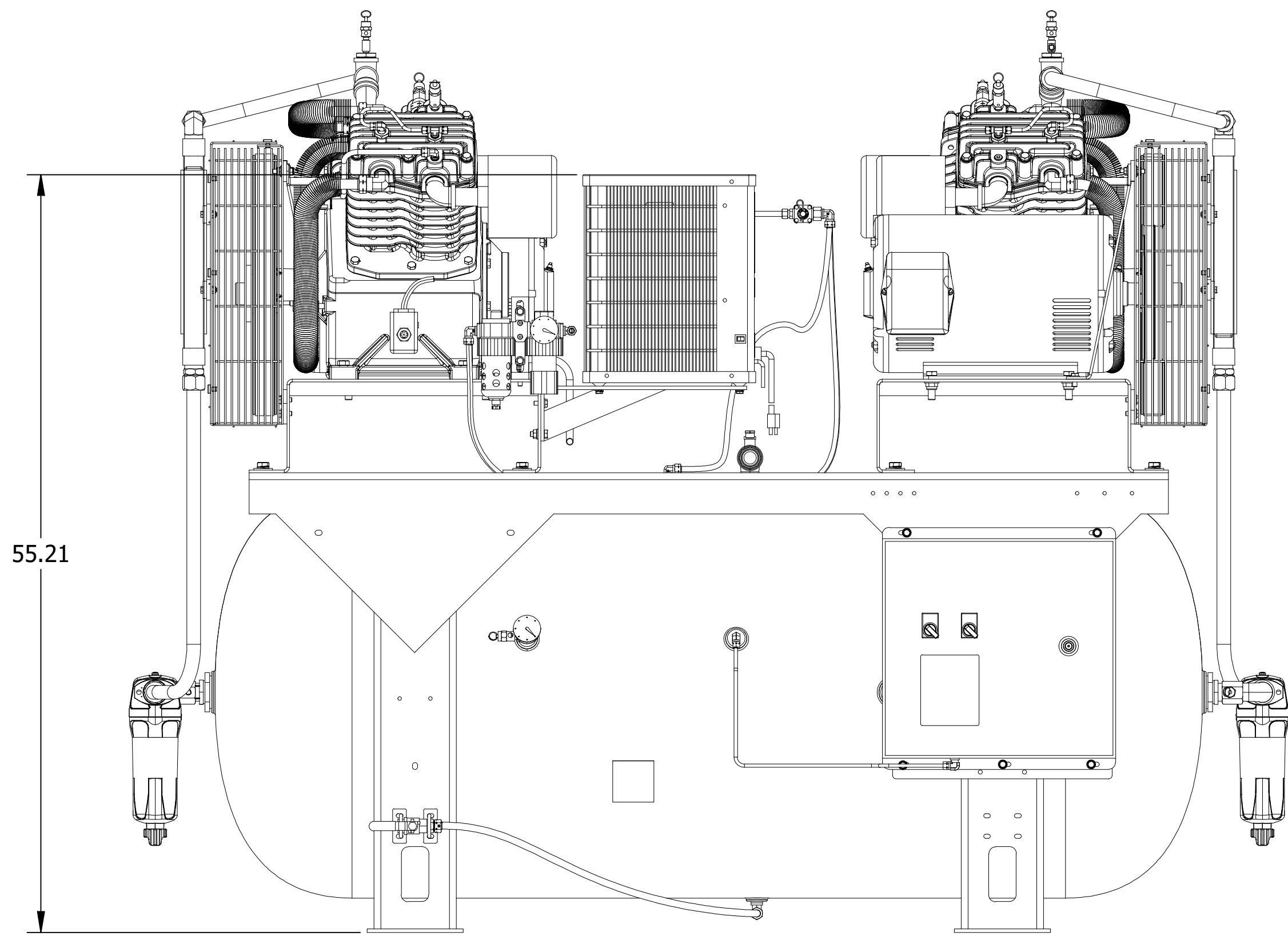
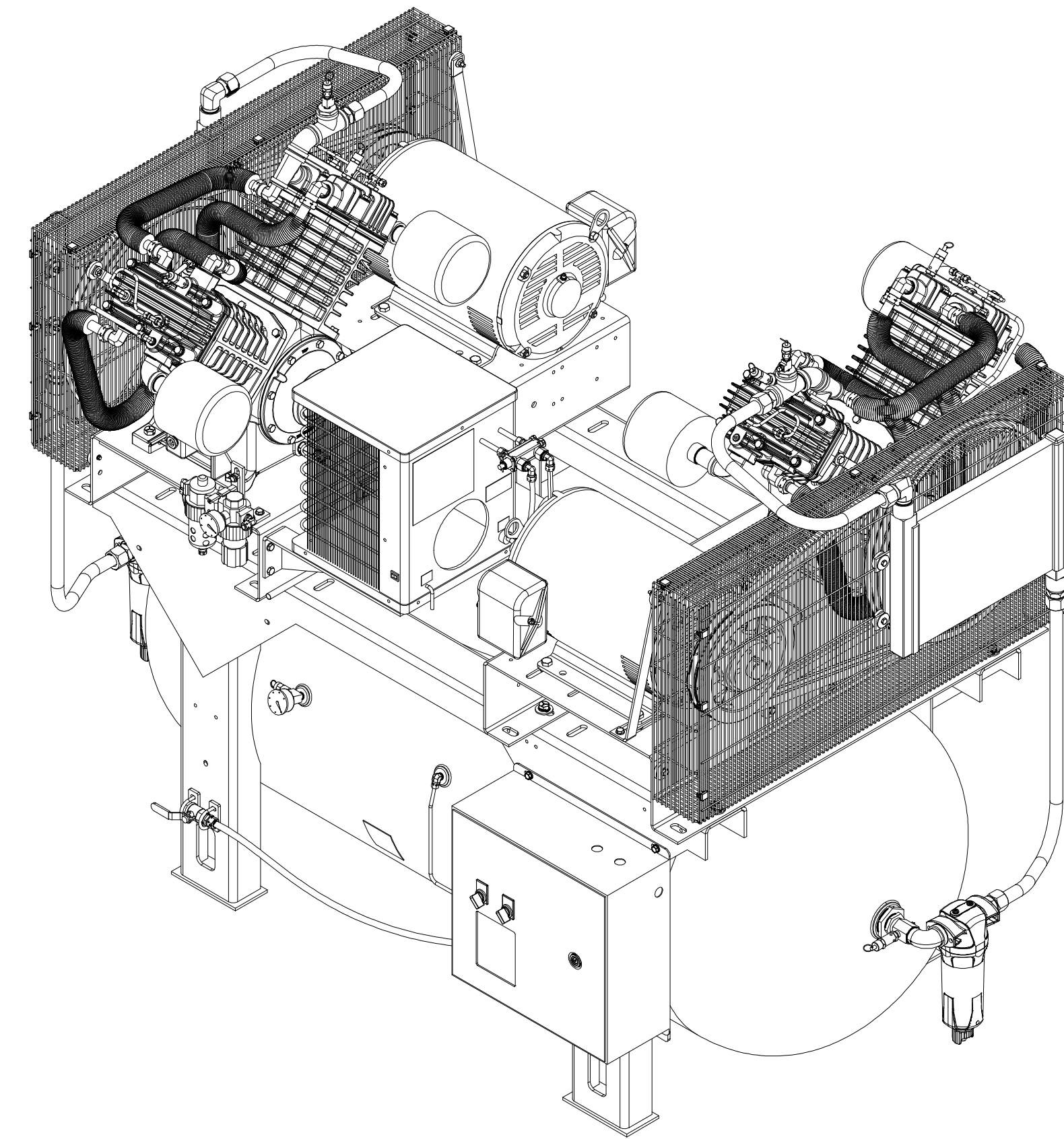
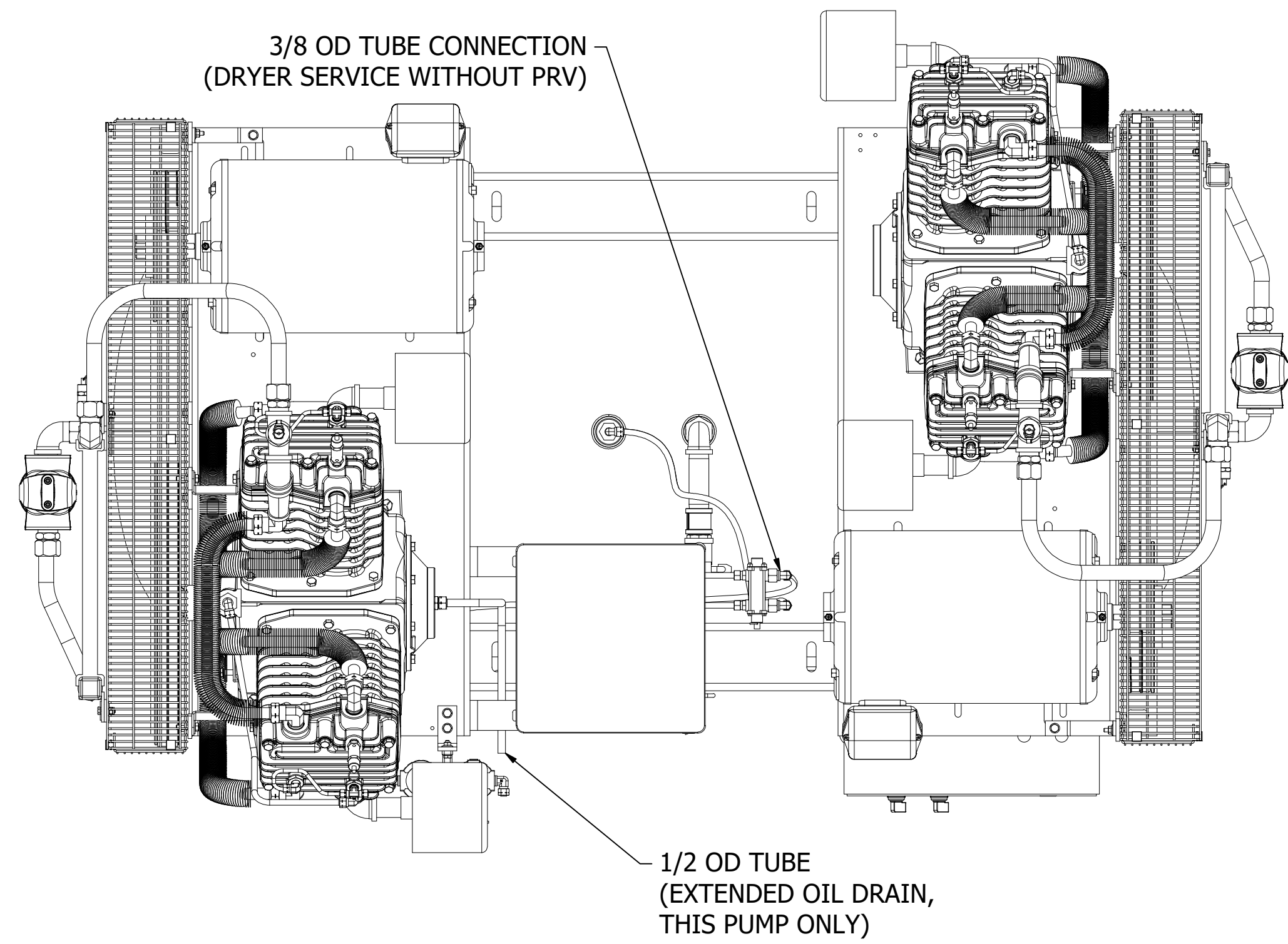


OPTIONAL AFTERCOOLERS

Name DWG_DIM_QT/QP-2,200HD		Confidentiality Class 1102K Confidential	
Material Not Applicable		INV	
Finish Not Applicable		Drawing owner UTY	
Scale 1:8	Family	D Similar to	Replaces
Drawn by UTYWALKER	Make From	Designation	Sheet 2 / 6
Version Drwg	Blank wt	lb	Fini wt. 0.0 lb
STATUS	Des checked.	Prod checked.	Approved. Date 4/7/2022
Parent 3D model	Ed. Version 3D	Preliminary	2022035411

CONFIDENTIAL: This document is property of Quincy Compressor, LLC and shall not be used for manufacturing or commercial purposes without our written consent.

Ed	Position	Description	Date	Intr./Appd.
00		DRAWING RELEASED	04/22	BW

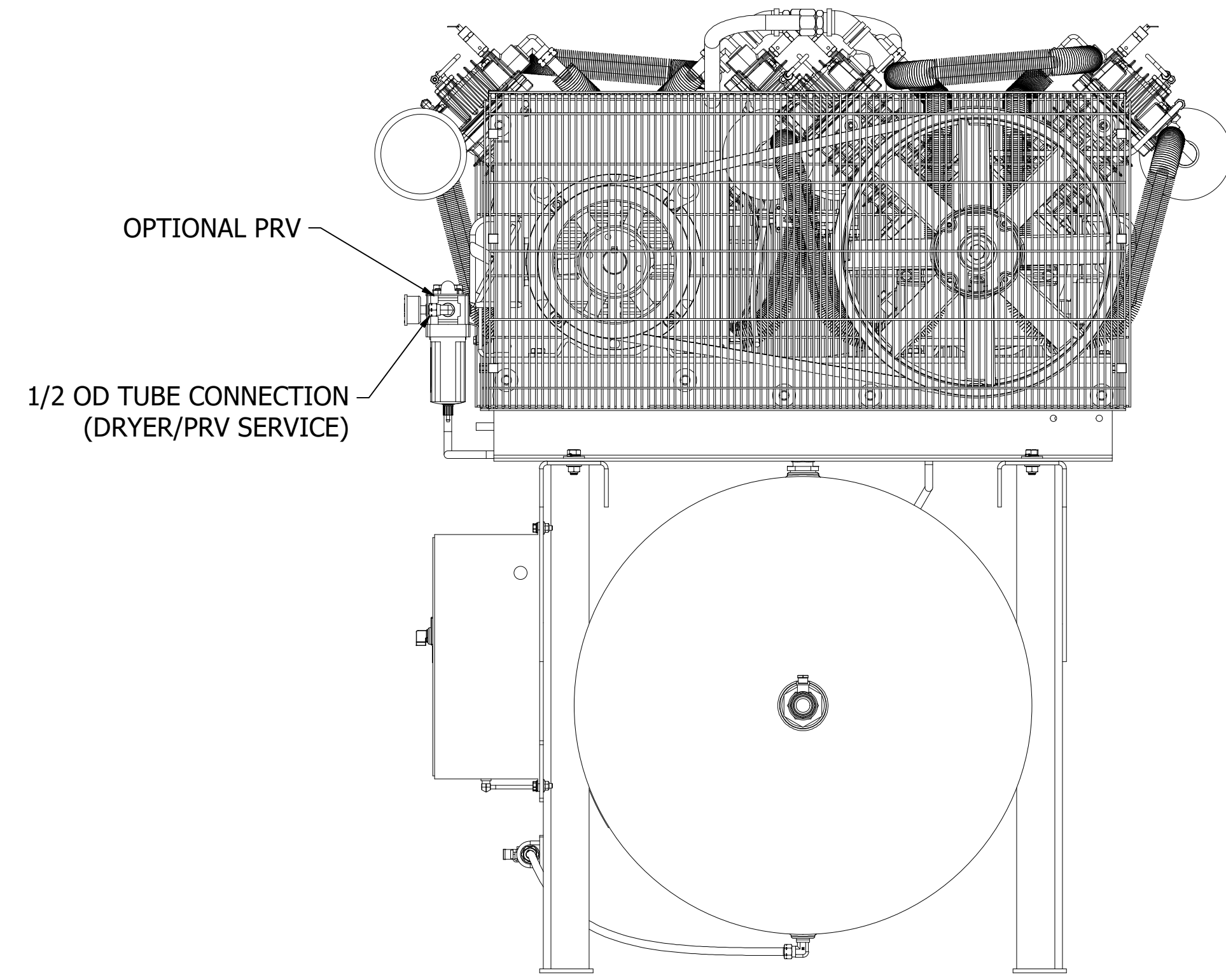
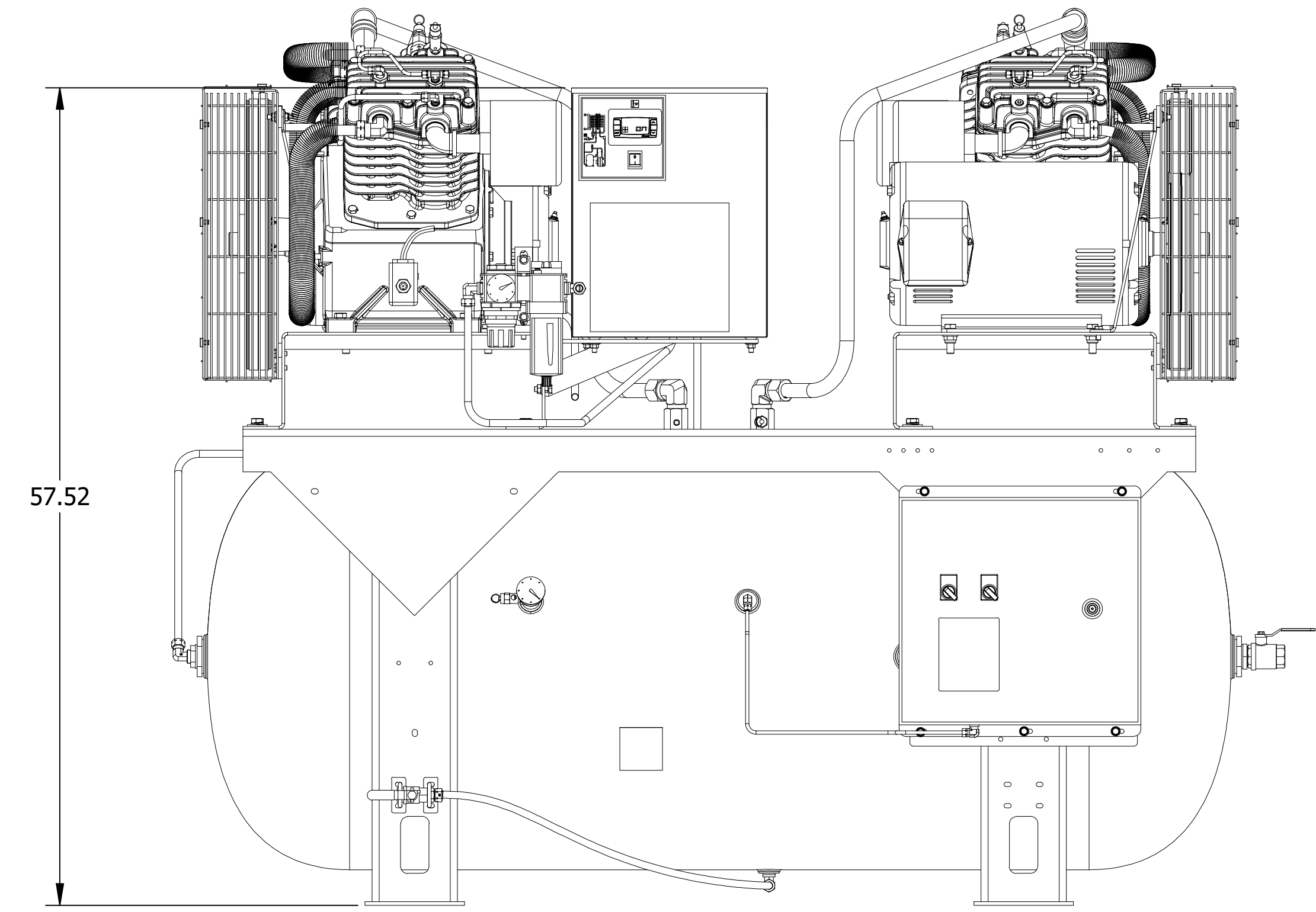
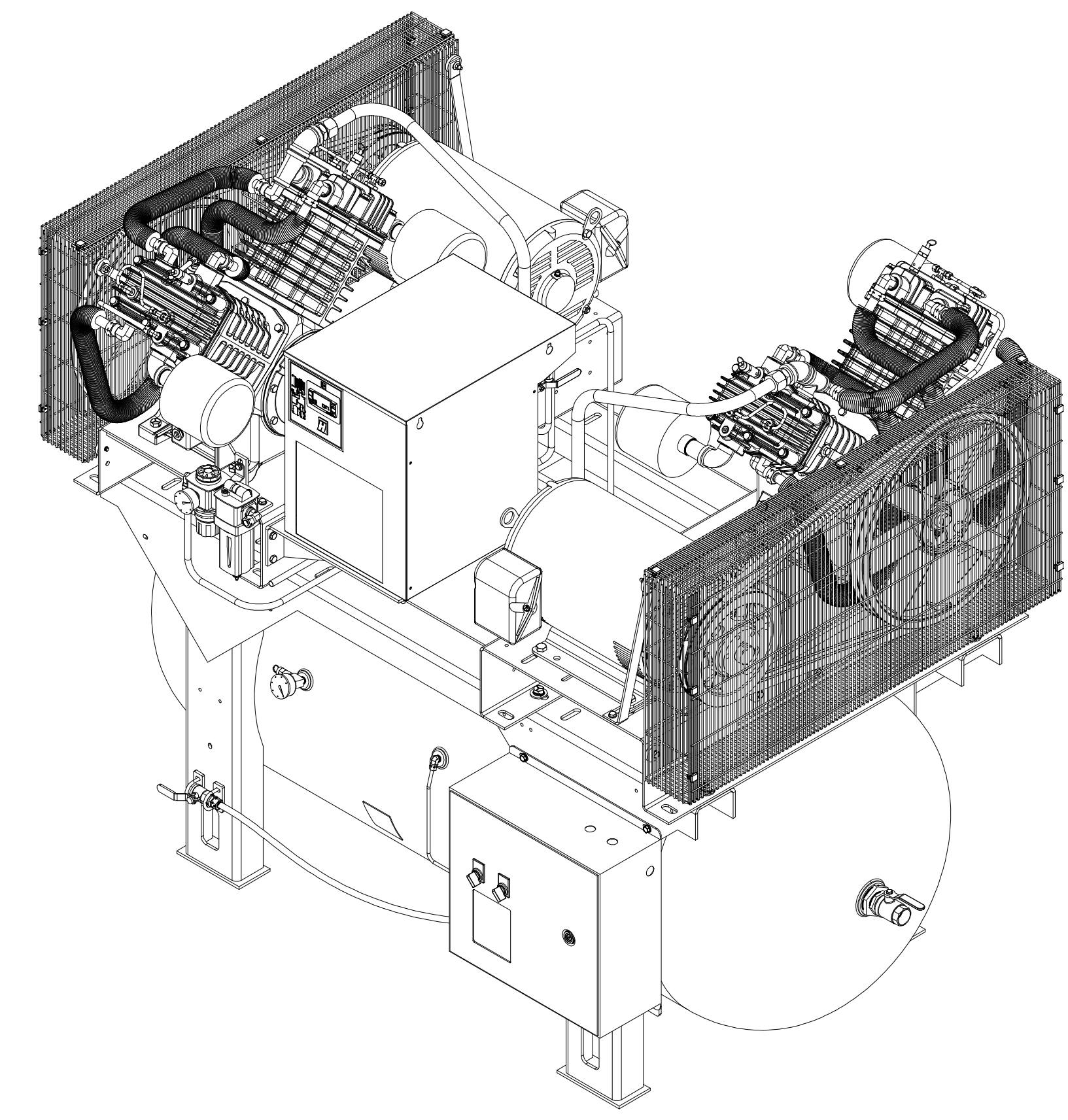
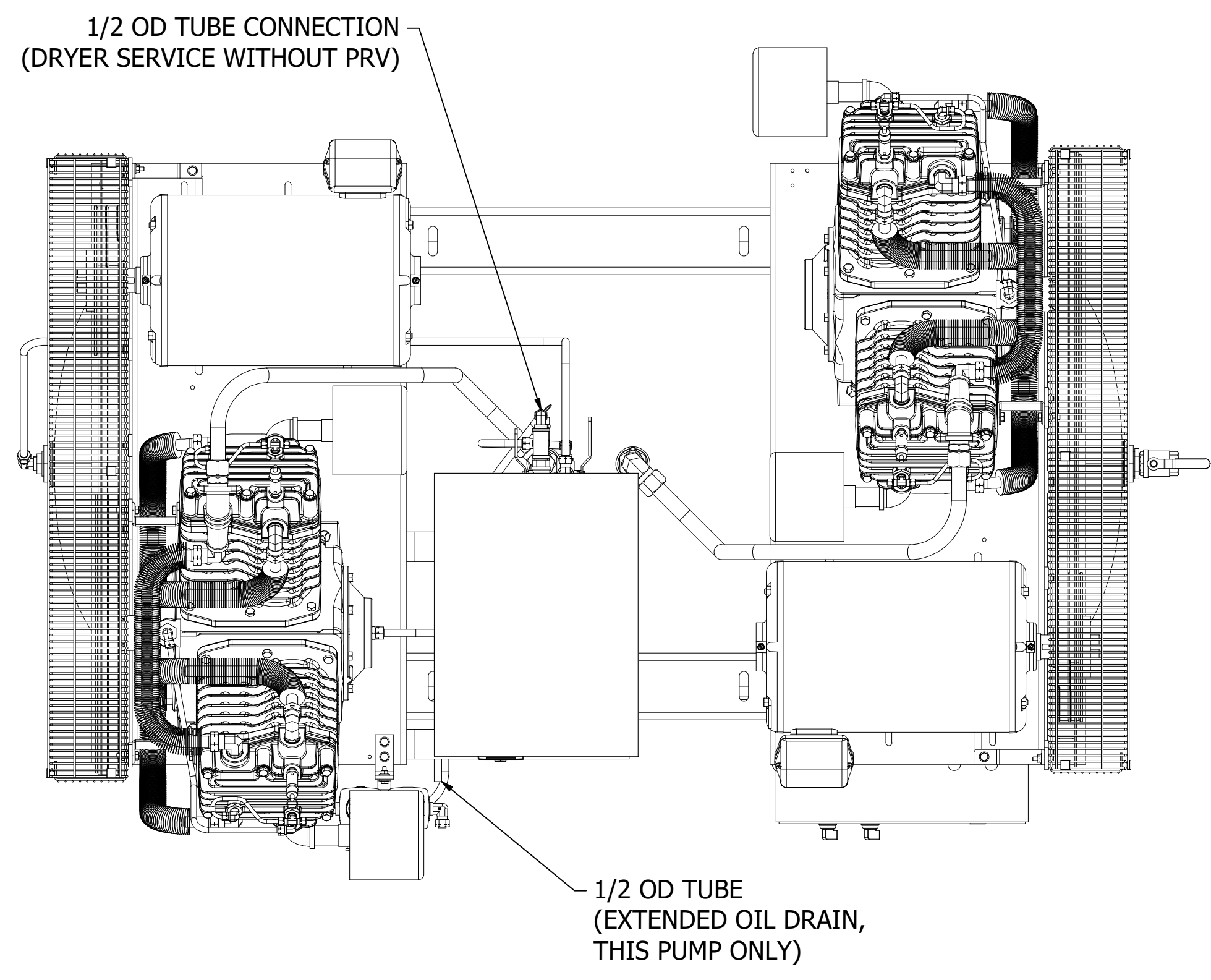


OPTIONAL DRYER/PRV (10HP CLIMATE CONTROL ONLY)

Name		DWG.DIM.QT/QP-2,200HD		Confidentiality Class		1102K		Confidential	
Material		Not Applicable		FINISH		INV		Drawing owner	
Finish		Not Applicable		Scale		1:8		Family	
Version Drwg		UTYBALKER		Make From		Replaces		Designation	
Blank wt		lb		Fini wt		0.0		lb	
Des checked		Prod checked		Approved		Date		4/7/2022	
Parent 3D model		Ed . Version 3D		STATUS		Preliminary		2022035411	
Sheet		3 / 6		Drawing owner		UTY			

CONFIDENTIAL: This document is the property of Quincy Compressor, LLC and shall not be used for manufacturing or commercial purposes without our written consent.

Ed	Posi- ion	Description	Date	Intr./Appd.
00		DRAWING RELEASED	04/22	BW

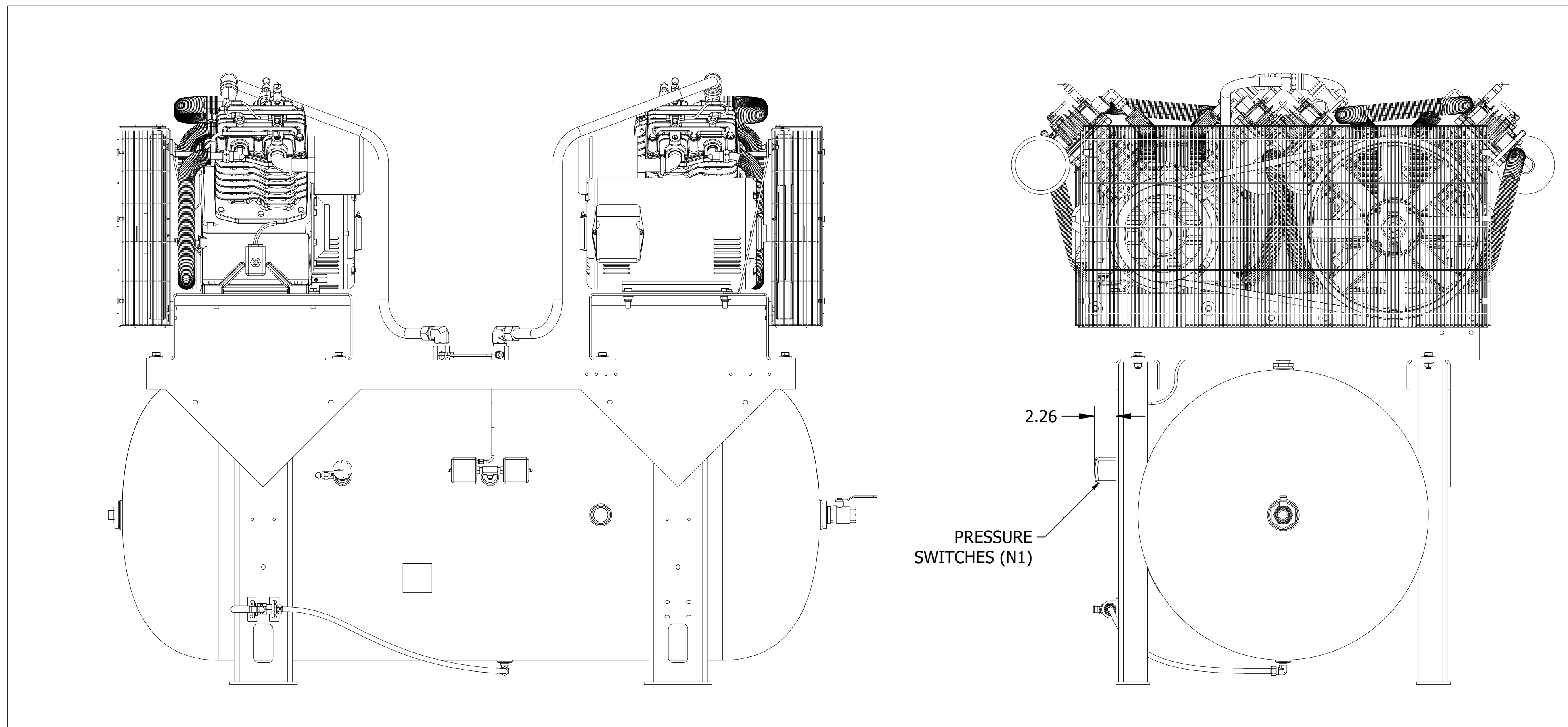


OPTIONAL DRYER/PRV (15HP CLIMATE CONTROL ONLY)

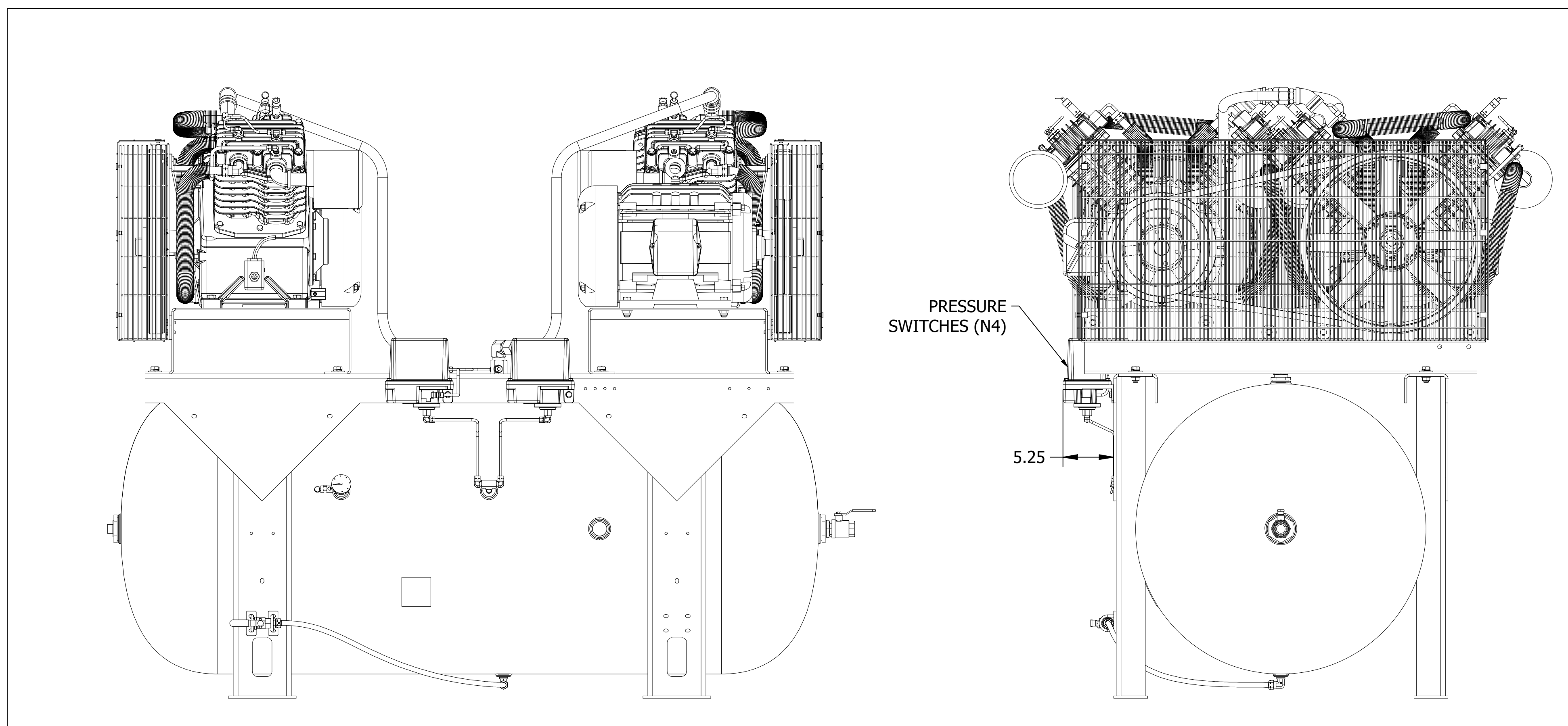
Name DWG.DIM.QT/QP-2,200HD		Confidentiality Class 1102K Confidential	
Material Not Applicable		INV	
Finish Not Applicable		Drawing owner UTY	
Scale 1:8	Family	Similar to	Replaces
Drawn by UTYWALKER	Make From	Designation	Sheet 4 / 6
Version Drwg	Blank wt	lb	Fini wt. 0.0 lb
STATUS	Des checked.	Prod checked.	Approved. Date 4/7/2022
Parent 3D model	Ed. Version 3D	Preliminary	2022035411

CONFIDENTIAL: This document is property of Quincy Compressor, LLC and shall not be used for manufacturing or commercial purposes without our written permission.

Ed	Position	Description	Date	Intr./Appd.
00		DRAWING RELEASED	04/22	BW



**NEMA 1 PRESSURE SWITCHES
(USER MUST PROVIDE CONTROL
PANEL TO OPERATE UNIT)**



**NEMA 4 PRESSURE SWITCHES
(USER MUST PROVIDE CONTROL
PANEL TO OPERATE UNIT)**

OPTIONAL PRESSURE SWITCHES (CONTROL PANEL NOT PROVIDED)

Name DWG.DIM.QT/QP-2,200HD		Confidentiality Class 1102K Confidential	
Material Not Applicable		INV	
Finish Not Applicable		Drawing owner UTY	
Scale 1:8	Family	D Similar to	
Drawn by UTYBALKER	Make From	Replaces	
Version Drwg	Blank wt	lb	Fin wt 0.0 lb
Parent 3D model	Ed. Version 3D	Des checked.	Prod checked. Approved. Date 4/7/2022
STATUS Preliminary		Designation 2022035411 Sheet 5 / 6	

CONFIDENTIAL: This document is property of Quincy Compressor, LLC and shall not be used, copied, or disseminated in any form or by any means without the prior written permission of Quincy Compressor, LLC.

8

7

6

5

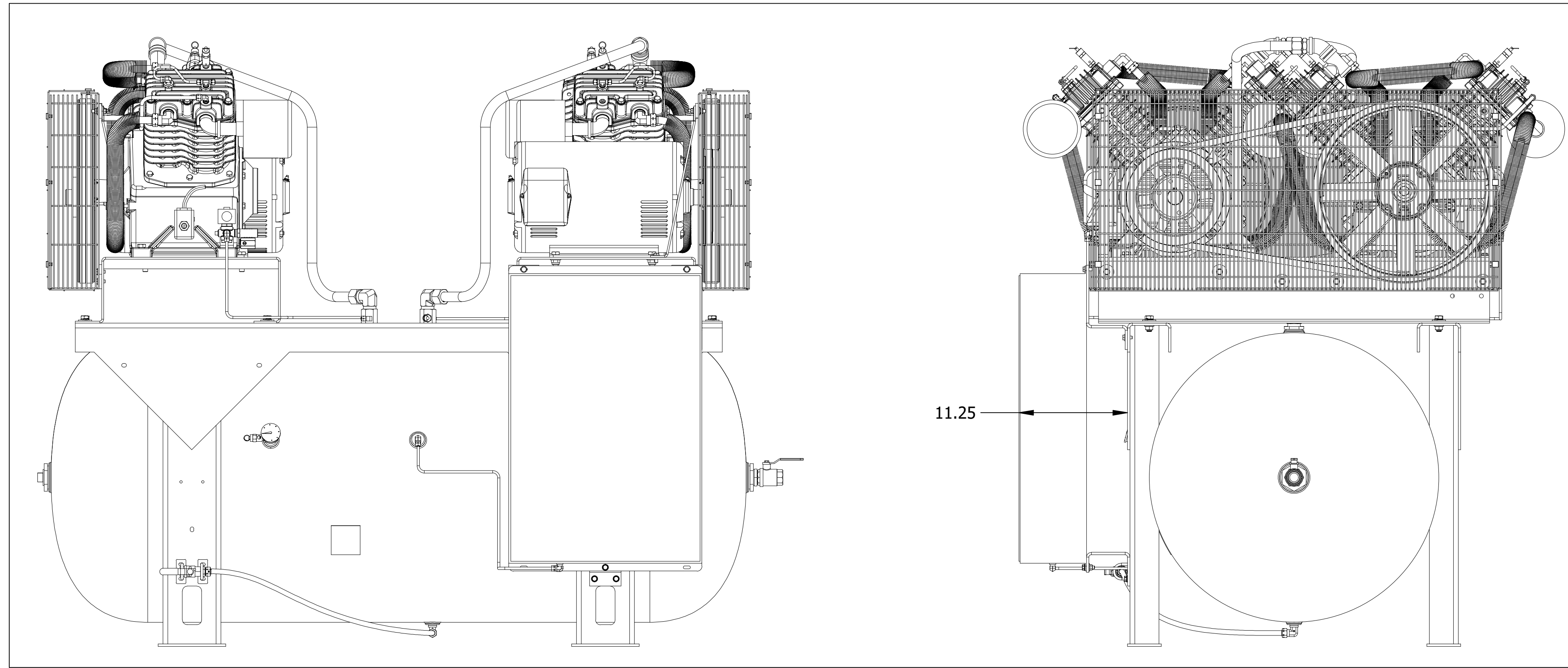
4

3

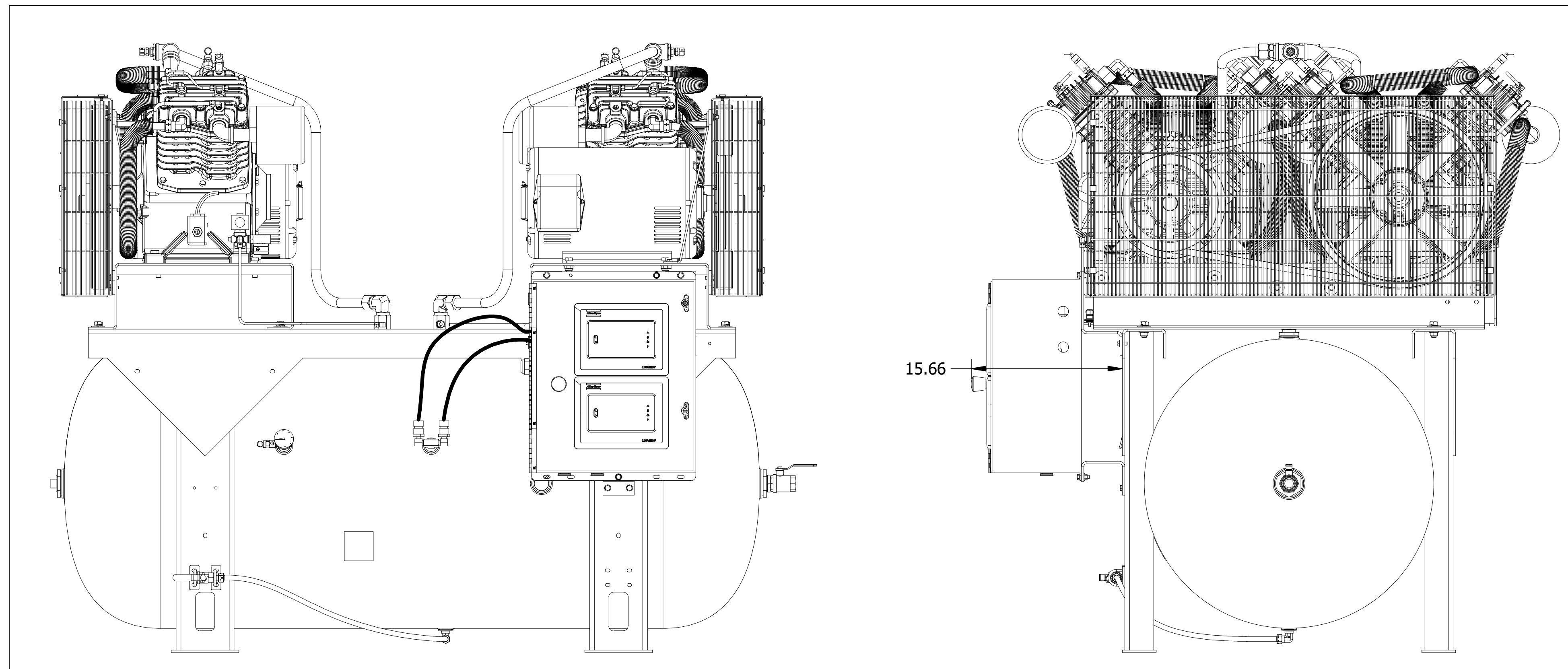
2

1

Ed	Posi- ion	Description	Date	Intr./Appd.
00		DRAWING RELEASED	04/22	BW



DUPLEX CONTROL
PANEL W/FUSED
DISCONNECT (N1/N4)



DUPLEX Q-CONTROL
PANEL (N1/N4)

OPTIONAL CONTROL PANELS

8

7

6

5

4

3

2

1

CONFIDENTIAL: This document is property of Quincy Compressor, LLC and shall not be used or reproduced in any form without the written consent of Quincy Compressor, LLC. All rights reserved.

Name DWG.DIM.QT/QP-2,200HD		Confidentiality Class 1102K Confidential	
Material Not Applicable		INV	
Finish Not Applicable		Drawing owner UTY	
Scale 1:8	Family	Similar to	Replaces
Drawn by UTYBALKER	Make From	Designation	Sheet 6 / 6
Version Drwg	Blank wt	lb	Fini wt. 0.0 lb
STATUS	Des checked.	Prod checked.	Approved.
Parent 3D model	Ed. Version 3D	Date 4/7/2022	2022035411