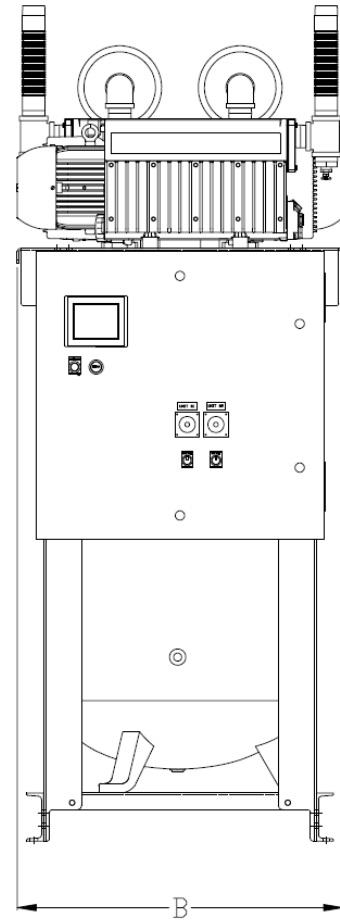
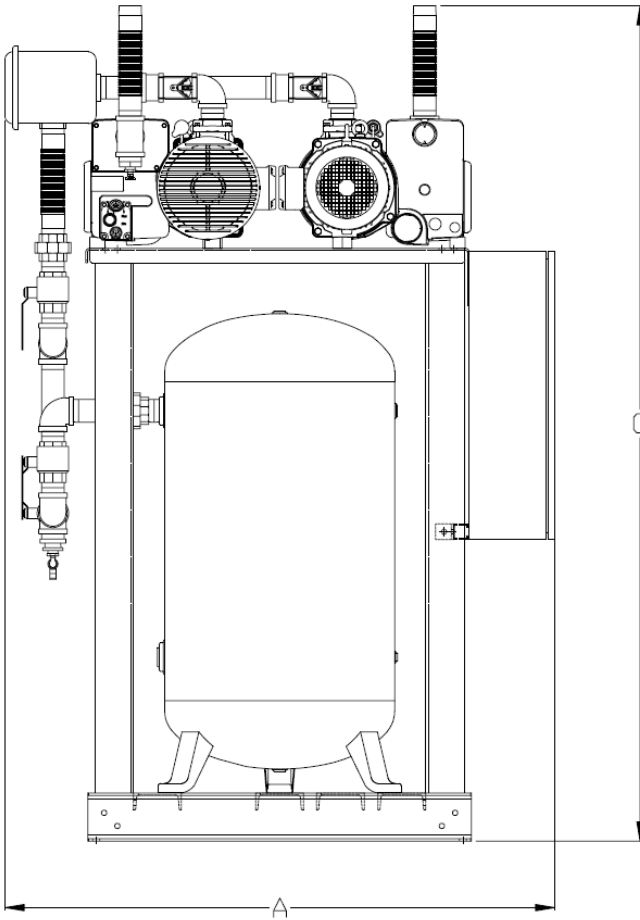
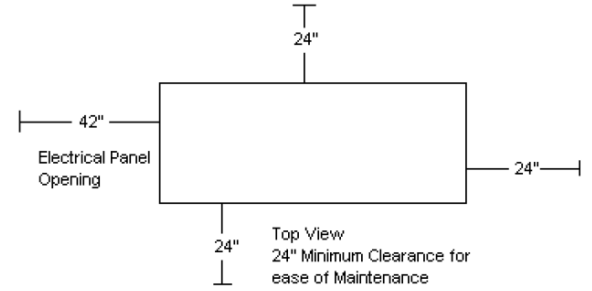


Dimensions					
Model	Dim. A	Dim. B	Dim. C	Inlet	Outlet
VVTD0303	54"	34"	85"	1 ½"	1 ½"
VVTD0403	54"	34"	85"	1 ½"	1 ½"
VVTD0503	58"	34"	87"	2"	2"



Medical Vacuum Tankmount Duplex with Premium Controls										
Model	HP	SCFM @ 19" Hg	NFPA System Capacity <sup>(1)</sup>	Tank Size (gal)	BTU/Hr <sup>(2)</sup>	dB(A) Level <sup>(3)</sup>	System F.L.A.			System Weight (lbs)
							208V	230V	460V	
VVTD0303	3	17	17	80	6,503	66	18.8	17.6	9.8	1,400
VVTD0403	5	25	25	80	10,838	68	29.6	28	15	1,500
VVTD0503	5	37	37	80	10,838	74	30.6	27.8	14.9	1,400

Notes:

- 1 – System Capacity is shown with one or more pumps in reserve per NFPA 99.
- 2 – BTU/Hr levels are shown with reserve pump(s) on standby.
- 3 – dB(A) levels are shown with one pump in reserve per NFPA 99.
- 4 – 3 Year Limited Warranty.