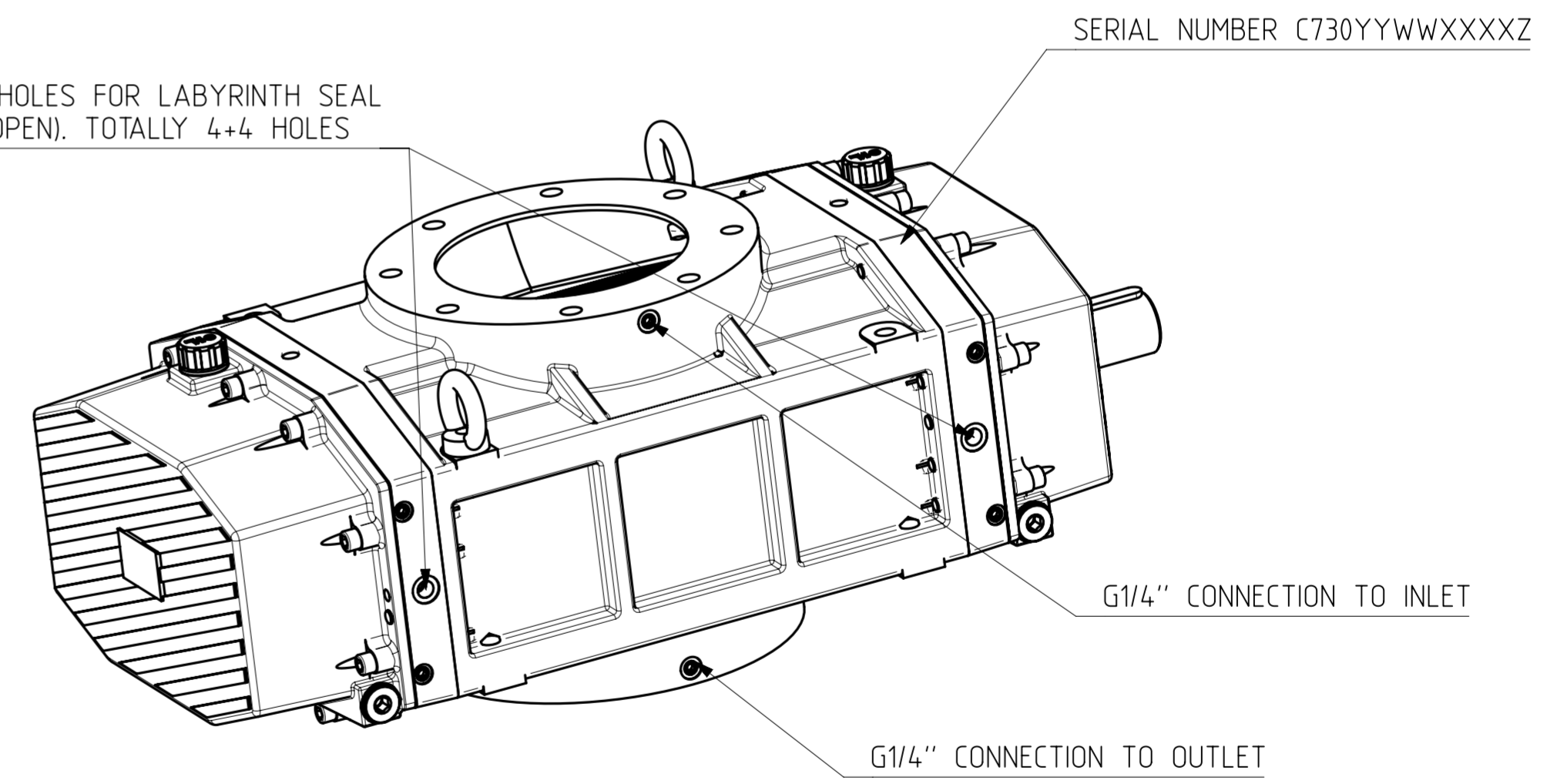


BREATHING HOLES FOR LABYRINTH SEAL
(MUST BE OPEN). TOTALLY 4+4 HOLES



Free dimensional tolerance		Projection method		Material	
ISO 2768 - mK					
Created	Date	Name	Sheet	Weight in kg	Scale
	13.11.2020	wkrygl	01 / 02	400.32	1:5
Modified			Size		
Approved			A2		
Standard			Part name		
Depart.			Lobe blower		
			WT 0730 COH blower		
			Document number	Index	
			N2014481		-
Created with NX			Project Number		