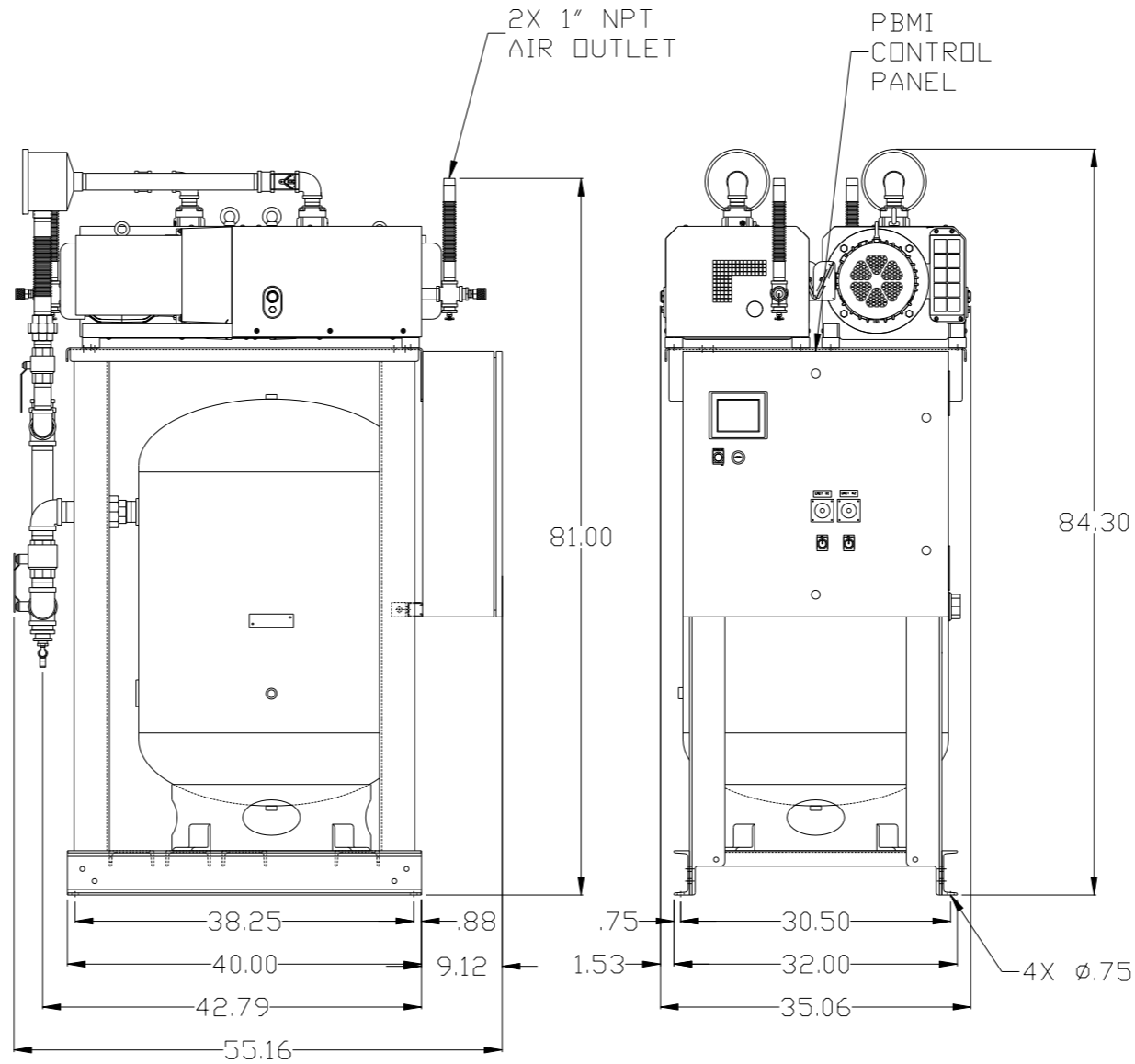
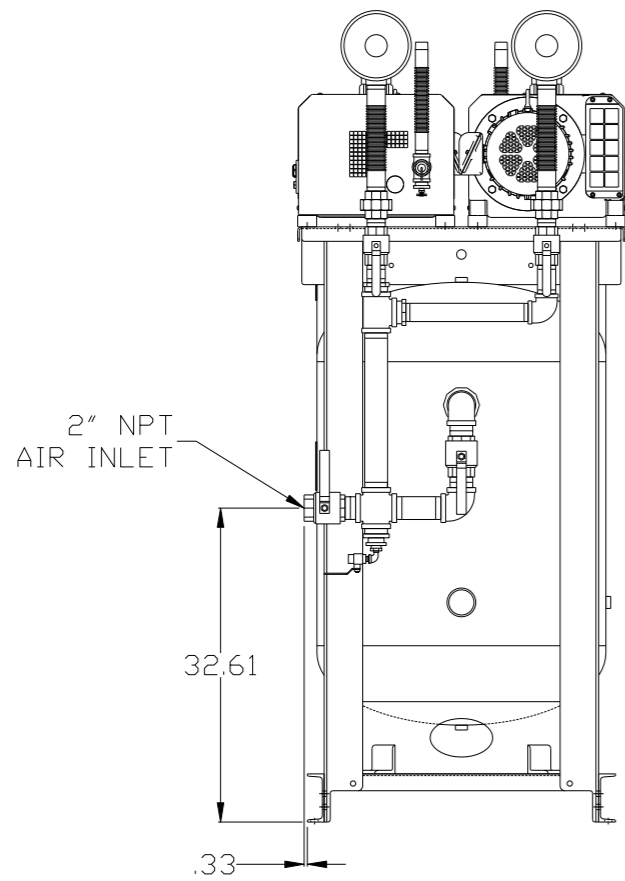
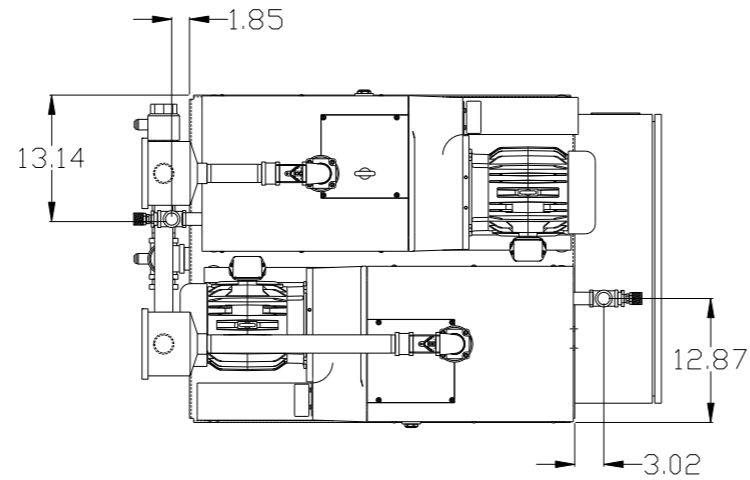


REV	ZONE	REVISION	DATE	ECN	NAME	CHKD
D-1	ALL	ADDED PBMI SHEETS	12/13/11	22610	AEK	GES
E-1	2 BS 2 ALL	ADDED SIGHT GAUGE ADDED SOURCE VALVE INFORMATION	3/27/13	PXEC0030	AEK	GES
F-1	ALL	CHANGED HIGH TEMP TO A STANDARD OPTION ON BASIC CONTROLS SHEET	7/30/13	PXEC0030	AEK	GES
G-1	1 ALL	UPDATED TO PUMP WITH NEMA RATED MOTOR	7/28/16	PXEC0149	AEK	GES

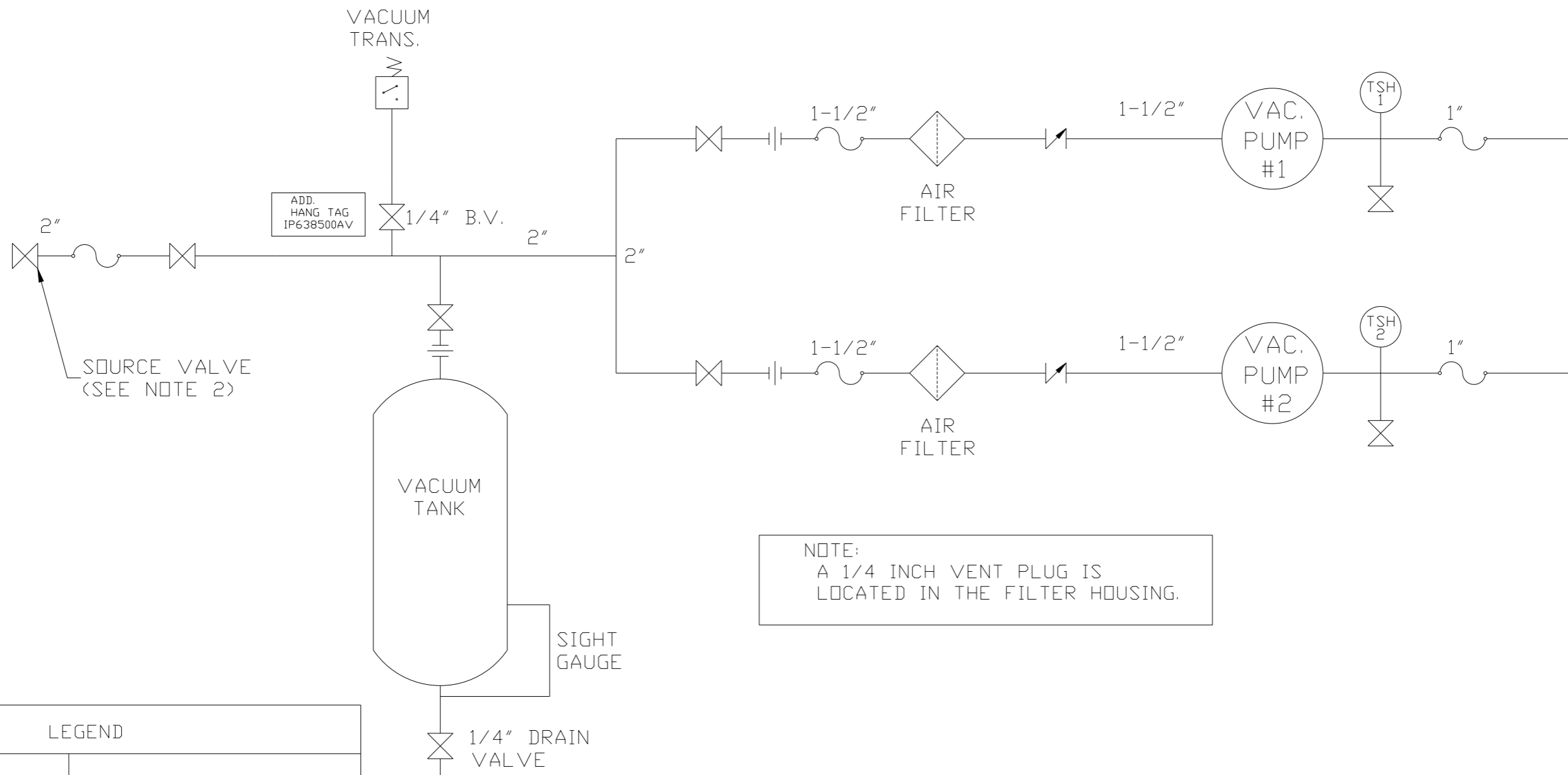


NOTE: SYSTEM DESIGNED IN COMPLIANCE WITH U.S. NFPA '99, LATEST EDITION.

NOTE: A MINIMUM OF 24\"/>

<b>SYMBOL LEGEND</b> ⊖ = MINUS DRAFT ⊕ = PLUS DRAFT ∅ = ADDITIONAL CONTROL REQ'D HRC = BRINELL HARDNESS		Drawings to conform to the current revision of the following ANSI standards: Y14.3 Multi and sectional view dsgs. Y14.5M Dimensioning and tolerancing	
TOLERANCES NOT SPECIFIED .XX ± .XXX ± <<DEG> ±		AUTOCAD REL2008 LT <b>INCH</b> DO NOT SCALE DRAWING FOR DIMENSIONS Sheet 1 of 2 SCALE 1:10	
<b>CONFIDENTIAL DISCLOSURE</b> This drawing is the property of POWEREX, INC. of the SCOTT FETZER COMPANY and subject to return on demand. Its contents are confidential and must not be copied or submitted to outside parties for use or examination.			
DRAWN BY AEK		CHECKED BY GES	
12/13/11		APPROVED BY ENGINEERING DMS MFG/MKTG RJR 12/13/11	
MATERIAL N/A		 150 PRODUCTION DRIVE, HARRISON, OHIO 45030 Ph 888-769-7979 FAX (513) 367-3125	
PART NAME DUPLEX VACUUM 5HP 120 GAL VERT		DWG NO CVTD0504BV SIZE D	

REV	ZONE	REVISION	DATE	ECN	NAME	CHKD
D-1	ALL	ADDED PBM1 SHEETS	12/13/11	22610	AEK	GES
E-1	2 BS 2 ALL	ADDED SIGHT GAUGE ADDED SOURCE VALVE INFORMATION	3/27/13	PXEC0030	AEK	GES
F-1	ALL	CHANGED HIGH TEMP TO A STANDARD OPTION ON BASIC CONTROLS SHEET	7/30/13	PXEC0030	AEK	GES
G-1	1 ALL	UPDATED TO PUMP WITH NEMA RATED MOTOR	7/28/16	PXEC0149	AEK	GES



NOTE:  
A 1/4 INCH VENT PLUG IS  
LOCATED IN THE FILTER HOUSING.

LEGEND

	TEMP. SWITCH		VACUUM SWITCH
	AIR FILTER		CHECK VALVE
	BALL VALVE		FLEX LINE
			UNION

NOTES:  
1) TSH - TEMPERATURE SWITCH HIGH  
2) PER NFPA THE SYSTEM WILL REQUIRE A SOURCE VALVE (SUPPLIED BY OTHERS).

SYMBOL LEGEND ⊖ = MINUS DRAFT ⊕ = PLUS DRAFT		⊕ = ADDITIONAL CONTROL REQ'D HRC = BRINELL HARDNESS		Drawings to conform to the current revision of the following ANSI standards: Y14.3 Multi and sectional view dgs. Y14.5M Dimensioning and tolerancing	
TOLERANCES NOT SPECIFIED .XX ± .XXX ± <math>\angle</math> (DEG) ±		AUTOCAD REL2008 LT		DO NOT SCALE DRAWING FOR DIMENSIONS SCALE 1:10	
CONFIDENTIAL DISCLOSURE This drawing is the property of POWEREX, INC. of the SCOTT FETZER COMPANY and subject to return on demand. Its contents are confidential and must not be copied or submitted to outside parties for use or examination.		DRAWN BY AEK		CHECKED BY GES	
MATERIAL N/A		APPROVED BY DMS		MFG/MKTG RJR	
PART NAME VACUUM DUPLEX TNKMNT FLOW SCHEMATIC		DATE 12/13/11		DATE 12/13/11	
DWG NO CVTD0504BV		DATE 12/13/11		DATE 12/13/11	