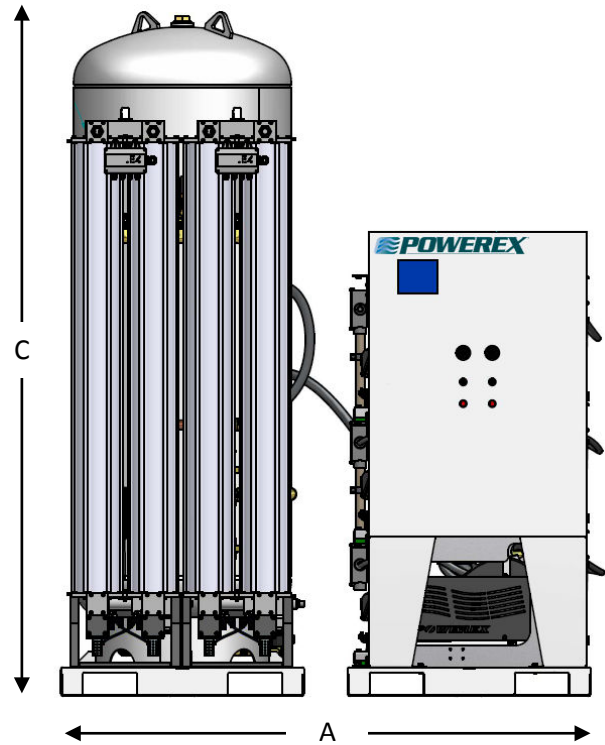
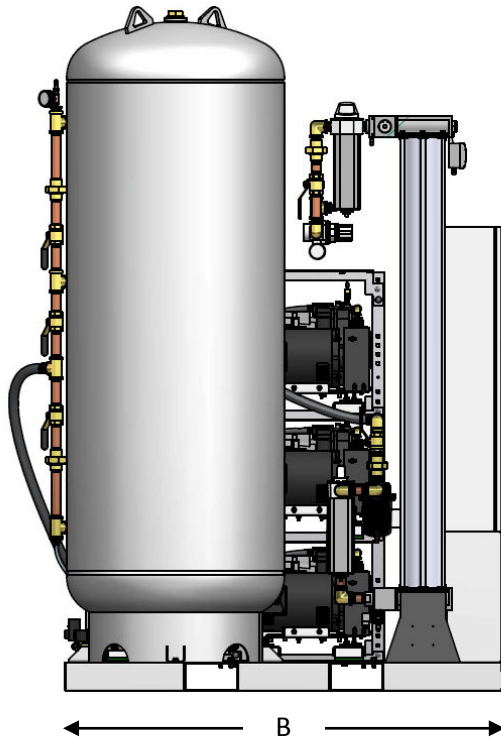
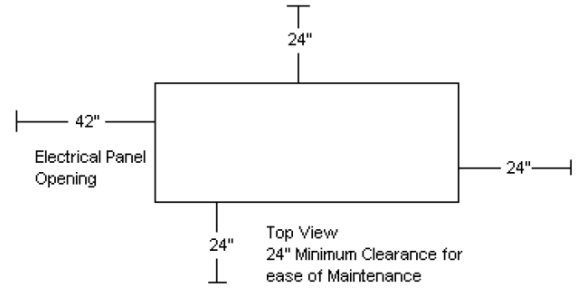


Dimensions					
Model	Dim. A	Dim. B	Dim. C	Inlet	Outlet
LSD10A4	73"	51"	75"	2"	1.25"
LSD10A5	73"	51"	83"	2"	1.25"
LSD15A5	73"	60"	83"	2"	1.5"
LSD15A6	73"	60"	95"	2"	1.5"



Laboratory Open Scroll Duplex with Premium Controls									
Model	HP	SCFM @ 145 PSIG ^(1,2)	Tank Size (gal)	BTU/Hr ⁽¹⁾	dB(A) Level ⁽¹⁾	System F.L.A.			System Weight (lbs)
						208V	230V	460V	
LSD10A4	10 (2)	50	120	48800	77	58	52.8	27.3	2450
LSD10A5	10 (2)	50	200	48800	77	58	52.8	27.3	2700
LSD15A5	15 (2)	75	200	73200	78	86	78.2	40	3300
LSD15A6	15 (2)	75	240	73200	78	86	78.2	40	3350

Notes:

- 1 – SCFM, BTU/Hr, and dB(A) values listed are with all pumps running.
- 2 – Powerex recommends using performance ratings in SCFM when sizing laboratory air systems.
- 3 – Remote inlet optional (not shown). Standard inlet is ambient intake filter assembly at each pump.
- 4 – 3 Year Limited Warranty.
- 5 – Drawing is representative and is not exact to each model.