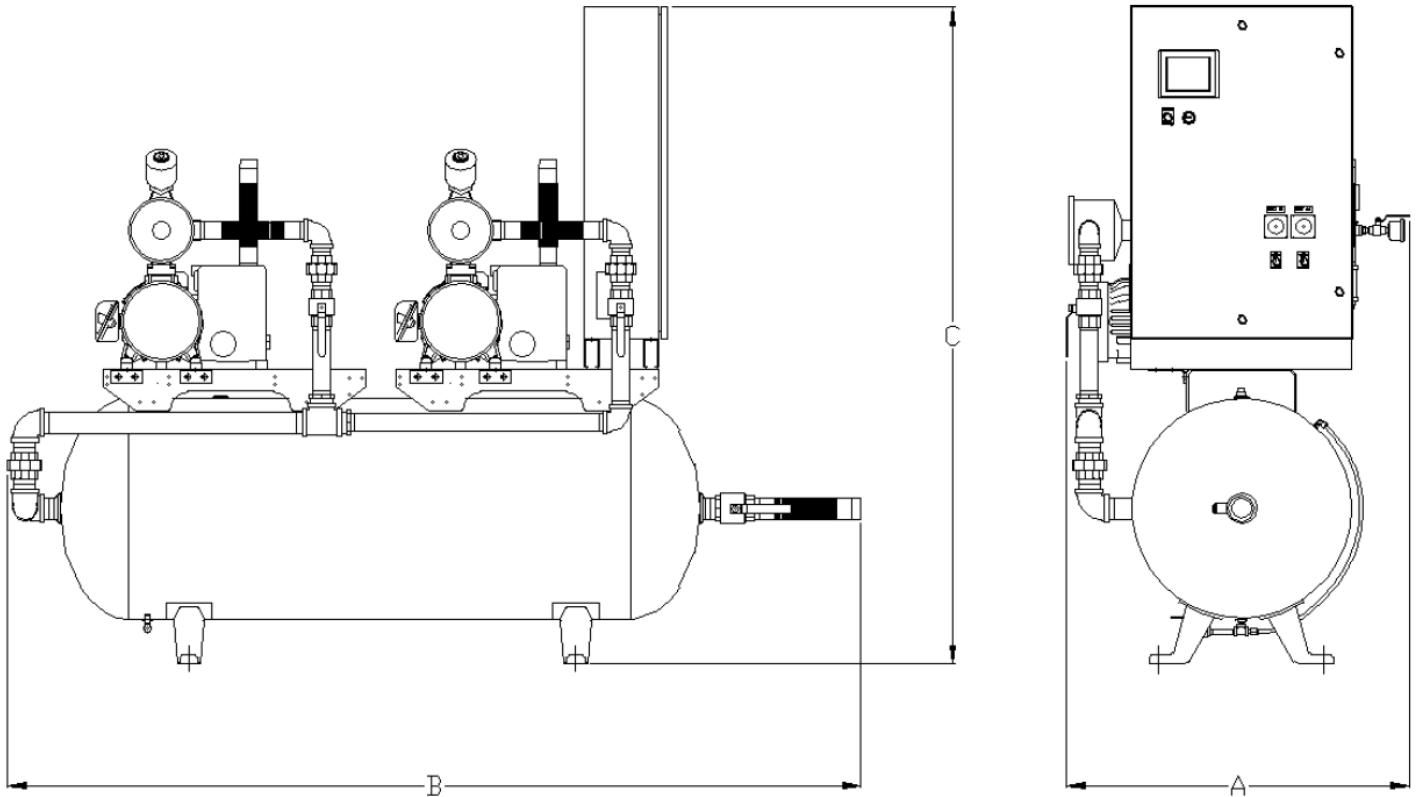
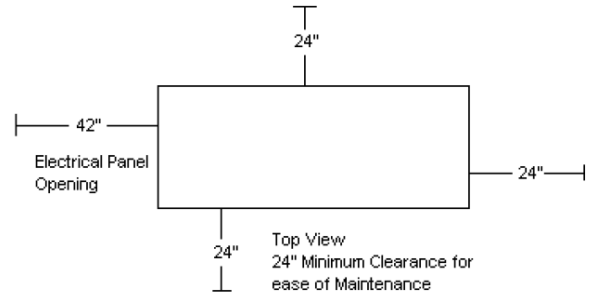


Dimensions					
Model	Dim. A	Dim. B	Dim. C	Inlet	Outlet (x2)
LVD0203	38"	86"	68"	1 ½"	1 ½"
LVD0303	38"	85"	68"	2"	1 ½"
LVD0404	38"	93"	72"	2"	1 ½"
LVD0504	44"	97"	72"	3"	2"



Laboratory Lubricated Vane Vacuum Package									
Model	HP	SCFM @ 19" Hg each	Tank Size (gal)	BTU/Hr <sup>(1)</sup>	dB(A) Level <sup>(1)</sup>	System F.L.A. <sup>(1)</sup>			System Weight (lbs)
						208V	230V	460V	
LVD0203	2 (2)	22	80	8,670	69	13.2	12.8	7.4	850
LVD0303	3 (2)	34	80	13,006	69	18.8	17.6	9.8	900
LVD0404	5 (2)	50	120	21,676	71	29.6	28	15	1,050
LVD0504	5 (2)	74	120	21,676	77	30.6	27.8	14.9	1,000

Notes:

- 1 – SCFM, BTU, dB(A), and FLA values listed are with all pumps running.
- 2 – 3 Year Limited Warranty.