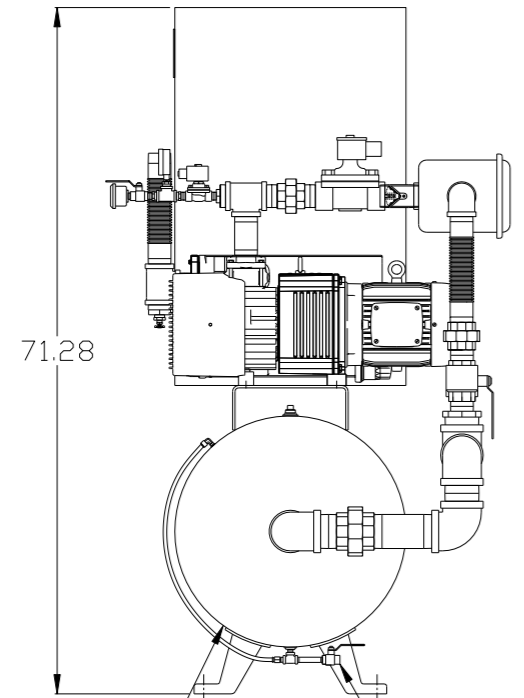
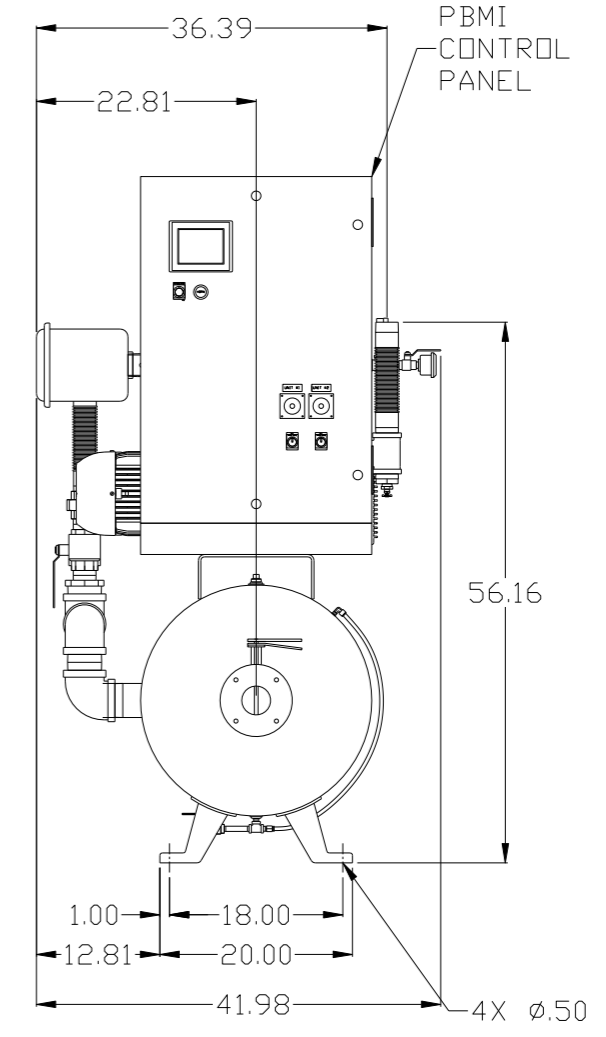
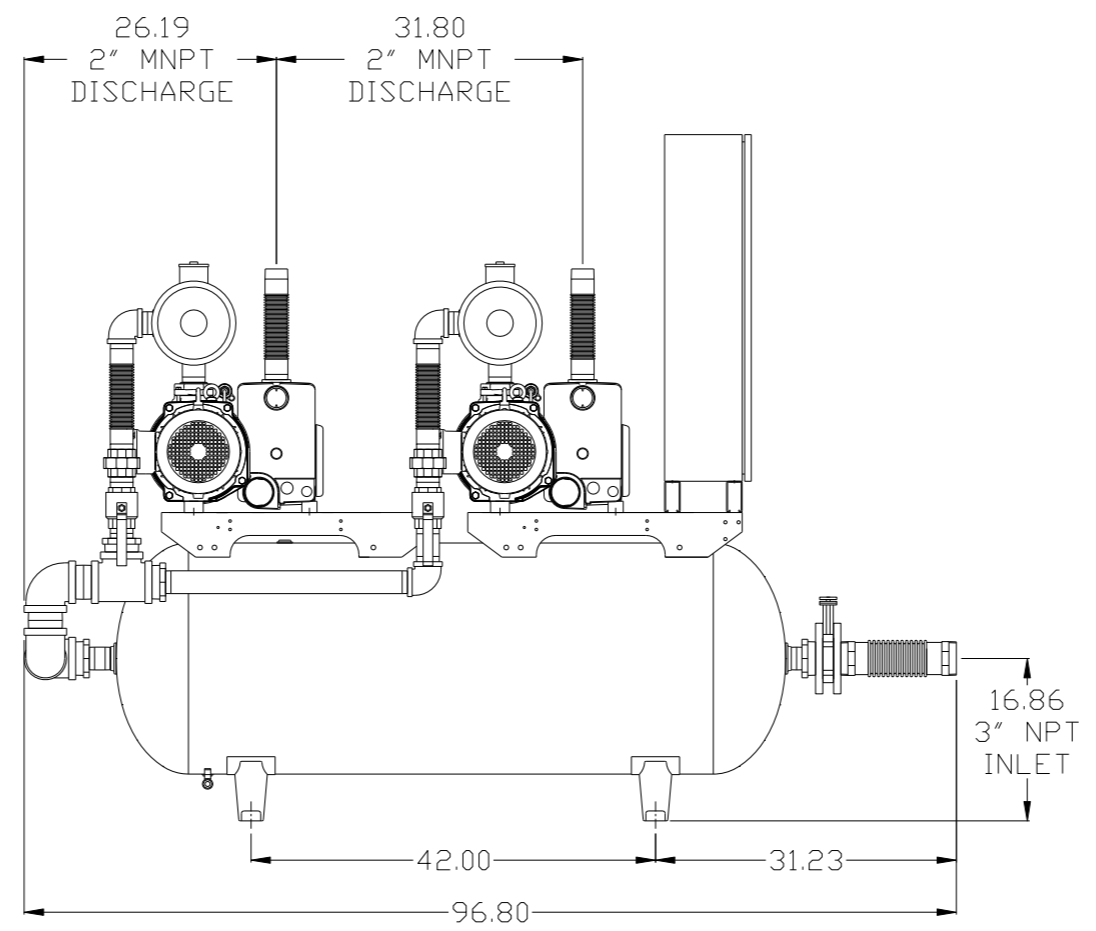


REV	ZONE	REVISION	DATE	ECN	NAME	CHKD
B-1	ALL	RELEASE TO PRODUCTION	8/24/16	PREC014	AEK	GES



120GAL ASME AIR RECEIVER INTERNALLY LINED

MANUAL TANK DRAIN W/SIGHT GAUGE



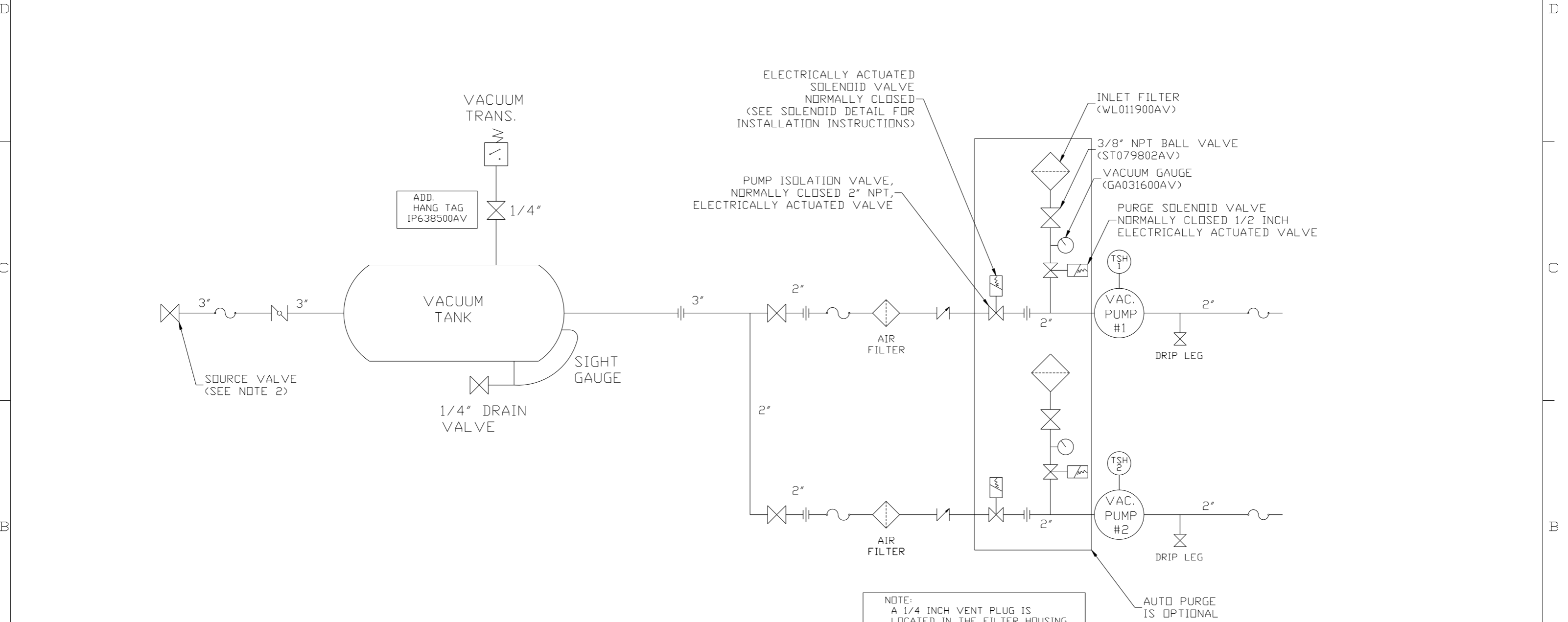
NOTE: A MINIMUM OF 24" CLEARANCE IS RECOMMENDED AROUND THE ENTIRE UNIT. THERE IS ALSO A MINIMUM RECOMMENDED ELECTRICAL PANEL CLEARANCE PER OSHA/ NEC.

NOTE: SYSTEM DESIGNED IN COMPLIANCE WITH U.S. NFPA '99, LATEST EDITION.

NOTE: AUTO PURGE IS OPTIONAL.

SYMBOL LEGEND ⊖ = MINUS DRAFT ⊕ = PLUS DRAFT ⊕ = ADDITIONAL CONTROL REQ'D HRC = BRINELL HARDNESS		Drawings to conform to the current revision of the following ANSI standards: Y14.3 Multi and sectional view dgs. Y14.5M Dimensioning and tolerancing	
TOLERANCES NOT SPECIFIED .XX ± .XXX ± \angle (DEG) ±		AUTOCAD REL2014 LT INCH DO NOT SCALE DRAWING FOR DIMENSIONS Sheet 1 of 2 SCALE 1:10	
CONFIDENTIAL DISCLOSURE This drawing is the property of POWEREX, INC. of the SCOTT FEITZER COMPANY and subject to return on demand. Its contents are confidential and must not be copied or submitted to outside parties for use or examination.			
DRAWN BY AEK		CHECKED BY GES	
APPROVED BY KMD		MFG/MKTG JM	
MATERIAL N/A		POWEREX 150 PRODUCTION DRIVE, HARRISON, OHIO 45030 Ph: 888-769-7979 FAX: (513) 367-3125	
PART NAME SHP LAB VACUUM HORIZ DUPLEX 120G TANK MOUNTED		DWG NO LVD0504 SIZE D	

REV	ZONE	REVISION	DATE	ECN	NAME	CHKD
B-1	ALL	RELEASE TO PRODUCTION	8/24/16	PREC014	AEK	GES



LEGEND	
(TSH)	TEMP. SWITCH
(Symbol)	VACUUM SWITCH
(Symbol)	BUTTERFLY VALVE
(Symbol)	CHECK VALVE
(Symbol)	AIR FILTER
(Symbol)	FLEX LINE
(Symbol)	BALL VALVE
(Symbol)	UNION

NOTE:
 1) TSH - TEMPERATURE SWITCH HIGH
 2) PER NFPA THE SYSTEM WILL REQUIRE A SOURCE VALVE (SUPPLIED BY OTHERS).

SYMBOL LEGEND		(Symbol) = ADDITIONAL CONTROL REQ'D	Drawings to conform to the current revision of the following ANSI standards	
(Symbol) = MINUS DRAFT	(Symbol) = PLUS DRAFT	(Symbol) = BRINELL HARDNESS	Y14.3 Multi and sectional view dgs. Y14.5M Dimensioning and tolerancing	
TOLERANCES NOT SPECIFIED		AUTOCAD REL2014 LT	DO NOT SCALE DRAWING FOR DIMENSIONS	
.XX ±	.XXX ±	INCH	Sheet 2 of 2	SCALE 1:10
CONFIDENTIAL DISCLOSURE This drawing is the property of POWEREX, INC. of the SCOTT FETZER COMPANY and subject to return on demand. Its contents are confidential and must not be copied or submitted to outside parties for use or examination.				
DRAWN BY	CHECKED BY	APPROVED BY	MFG/MKTG	
AEK	GES	KMD	JM	
8/24/16	8/24/16	8/24/16	8/24/16	
MATERIAL N/A				
PART NAME		150 PRODUCTION DRIVE, HARRISON, OHIO 45030 Ph: 888-769-7979 FAX: (513) 367-3125		
DUPLIX LAB VACUUM FLOW SCHEMATIC		DWG NO	LVD0504	SIZE D