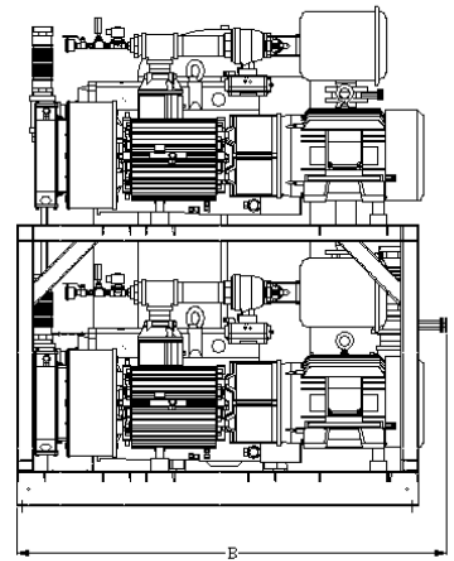
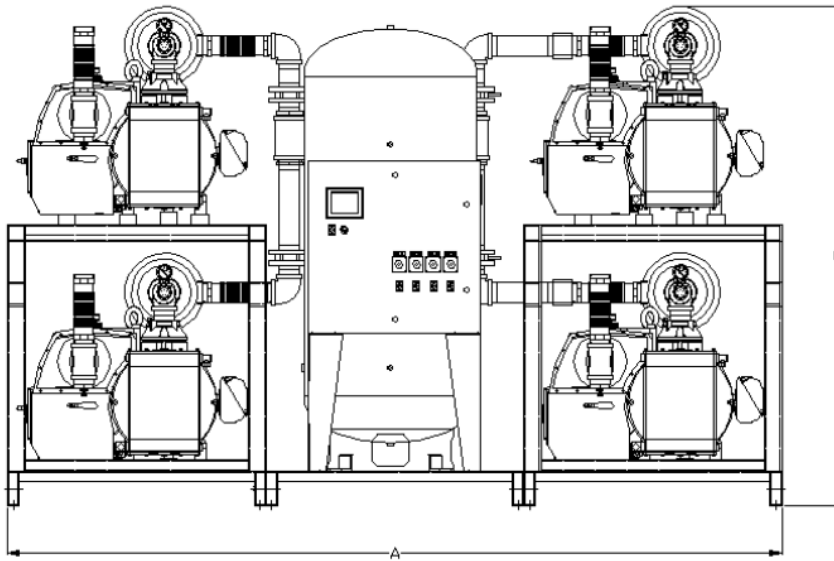
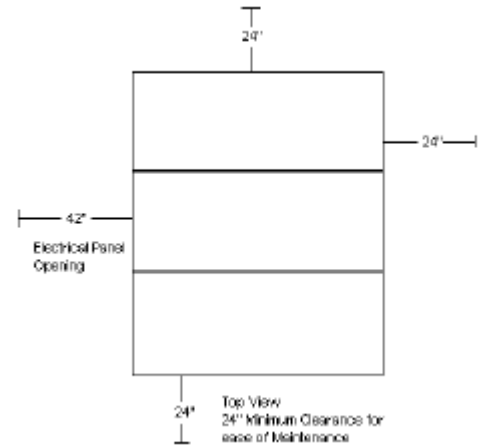


Dimensions					
Model	Dim. A	Dim. B	Dim. C	Inlet	Outlet (x4)
LVPQ1505	135"	75"	88"	4"	3"
LVPQ2005	135"	75"	88"	4"	3"
LVPQ2505	135"	75"	88"	4"	3"



Laboratory Lubricated Vane Vacuum Package									
Model	HP	SCFM @ 19" Hg each	Tank Size (gal)	BTU/Hr ⁽¹⁾	dB(A) Level ⁽¹⁾	System F.L.A. ⁽¹⁾			System Weight (lbs)
						208V	230V	460V	
LVPQ1505	15 (4)	444	200	130,052	89	163.6	151.2	76.8	7,000
LVPQ2005	20 (4)	548	200	173,400	90	218	210	106	7,700
LVPQ2505	25 (4)	672	200	216,752	91	274	250	126	8,600

91 SCFM @ 24" HG VAC Each

Notes:

- 1 – SCFM, BTU, dB(A), and FLA values listed are with all pumps running.
- 2 – 3 Year Limited Warranty.